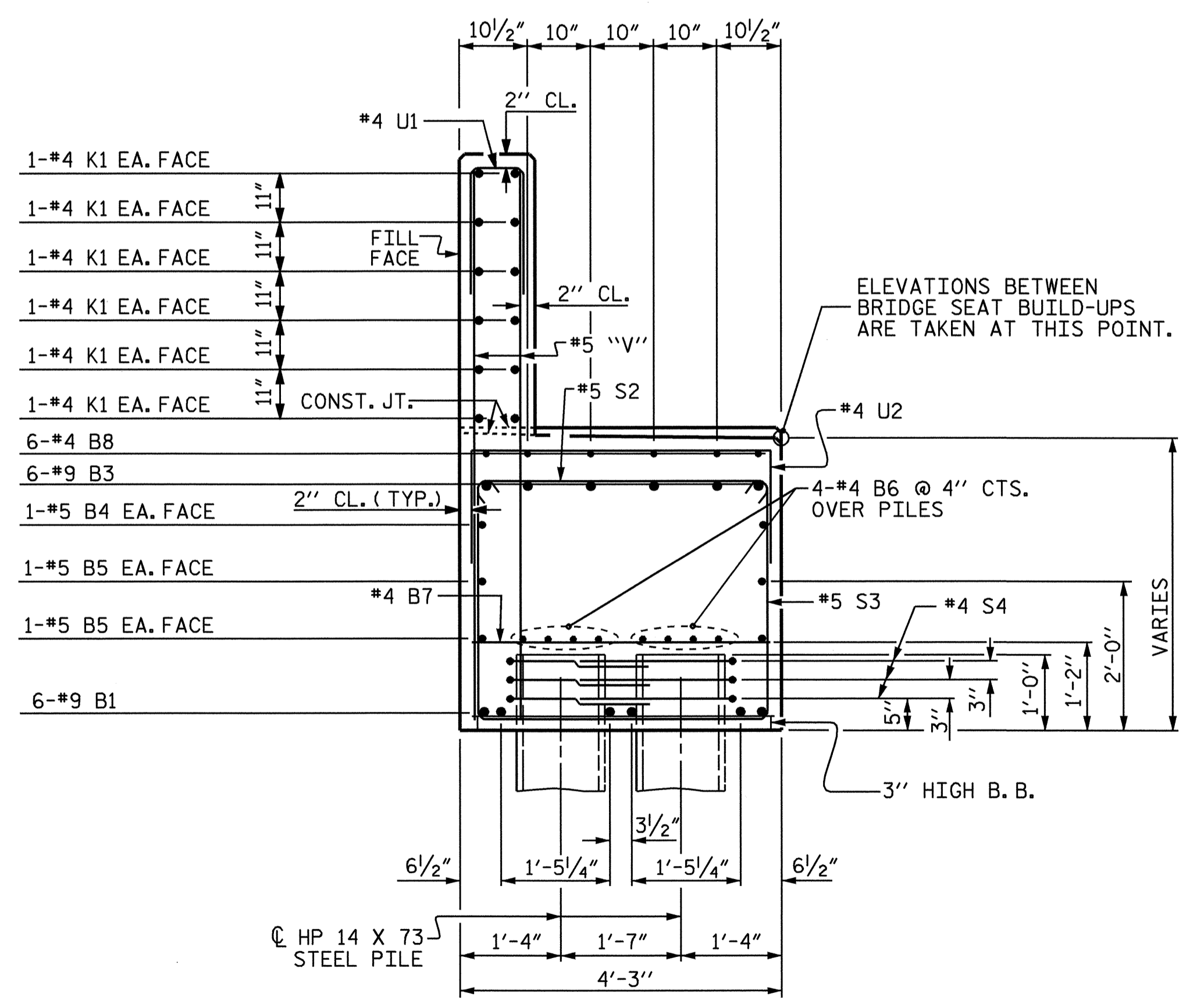
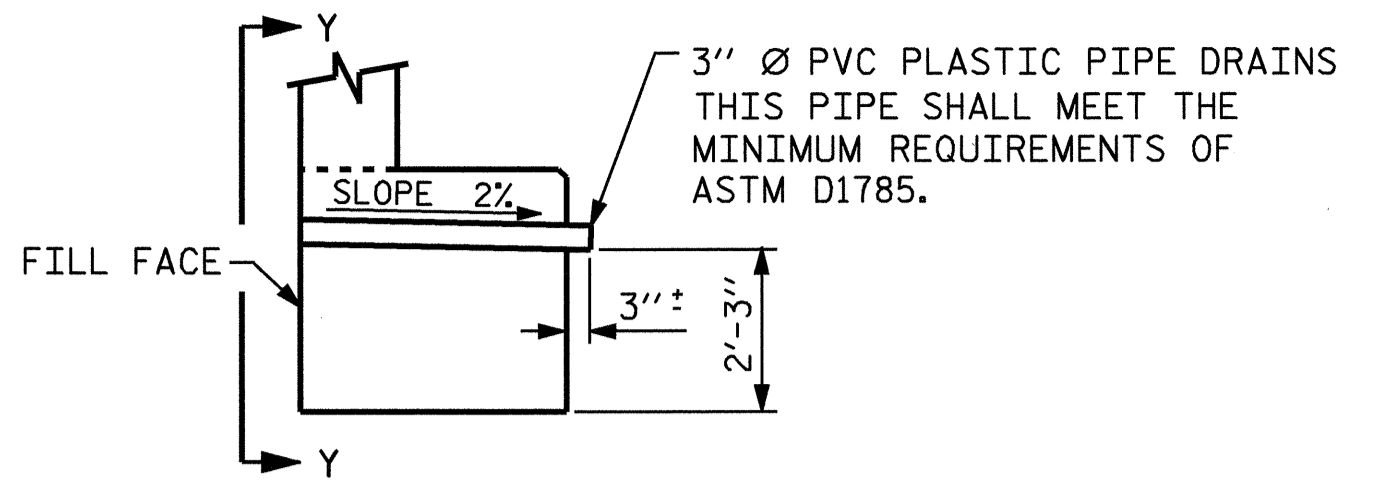


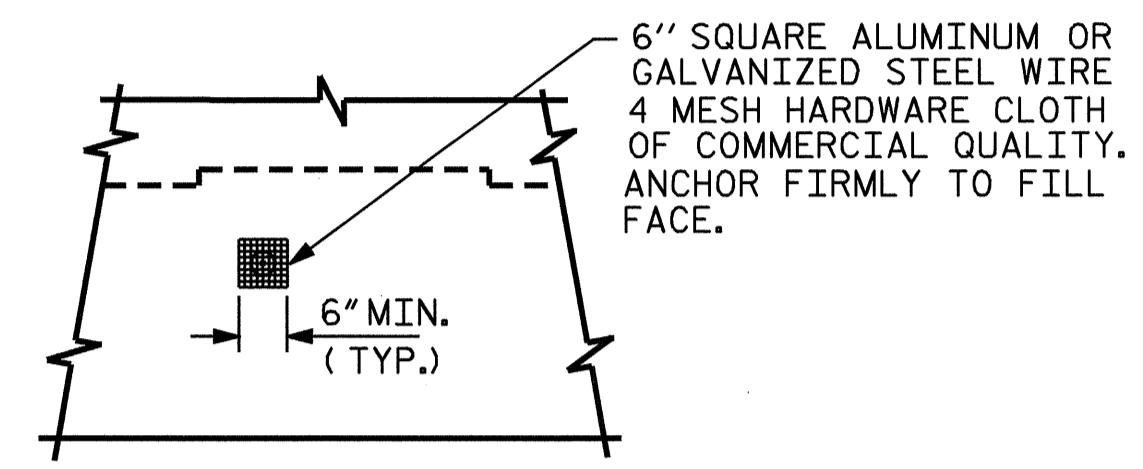
**SECTION A-A**



**SECTION B-B**



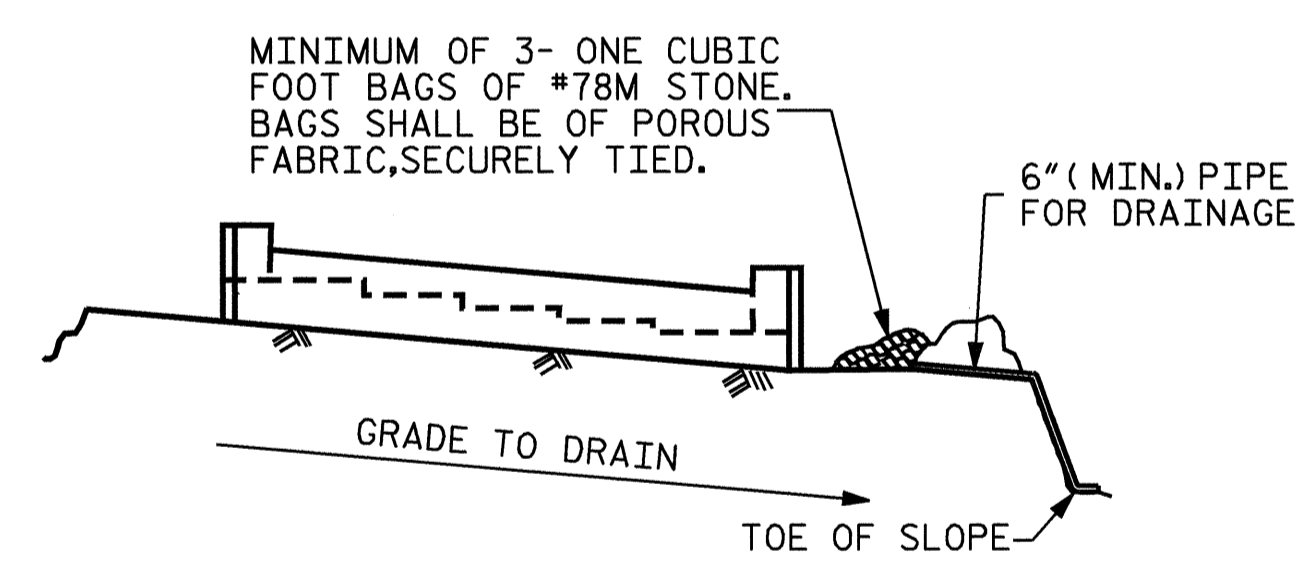
**SECTION THRU CAP**



**VIEW Y-Y**

NOTE: NO SEPARATE PAYMENT WILL BE MADE FOR FURNISHING AND INSTALLING THE PVC PLASTIC PIPE DRAINS, HARDWARE CLOTH AND FASTENERS. THE ENTIRE COST OF THIS WORK SHALL BE INCLUDED IN THE UNIT CONTRACT PRICE BID FOR THE SEVERAL PAY ITEMS.

**PIPE DRAIN DETAILS**

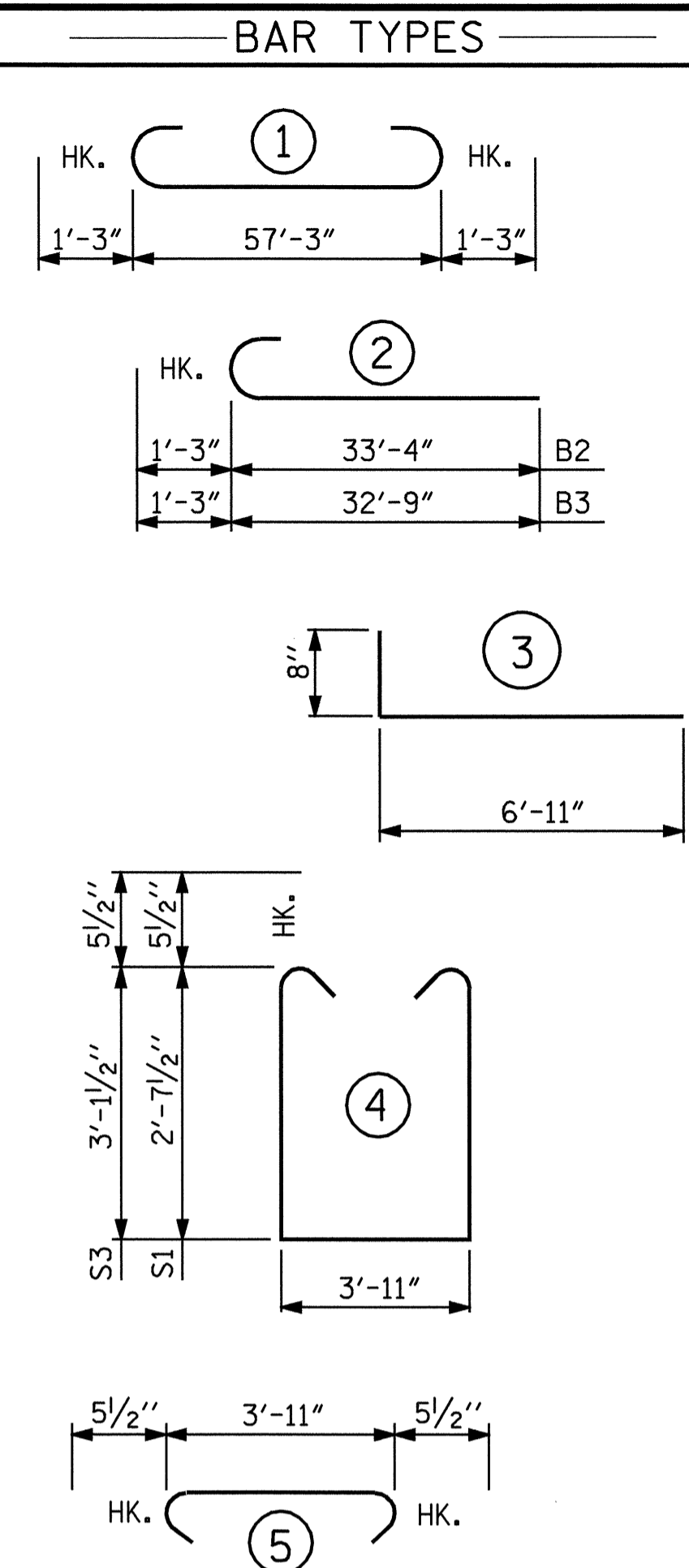


BAGGED STONE AND PIPE SHALL BE PLACED IMMEDIATELY AFTER COMPLETION OF END BENT EXCAVATION. PIPE MAY BE EITHER CONCRETE, CORRUGATED STEEL, CORRUGATED ALUMINUM ALLOY, OR CORRUGATED PLASTIC. PERFORATED PIPE WILL NOT BE ALLOWED.

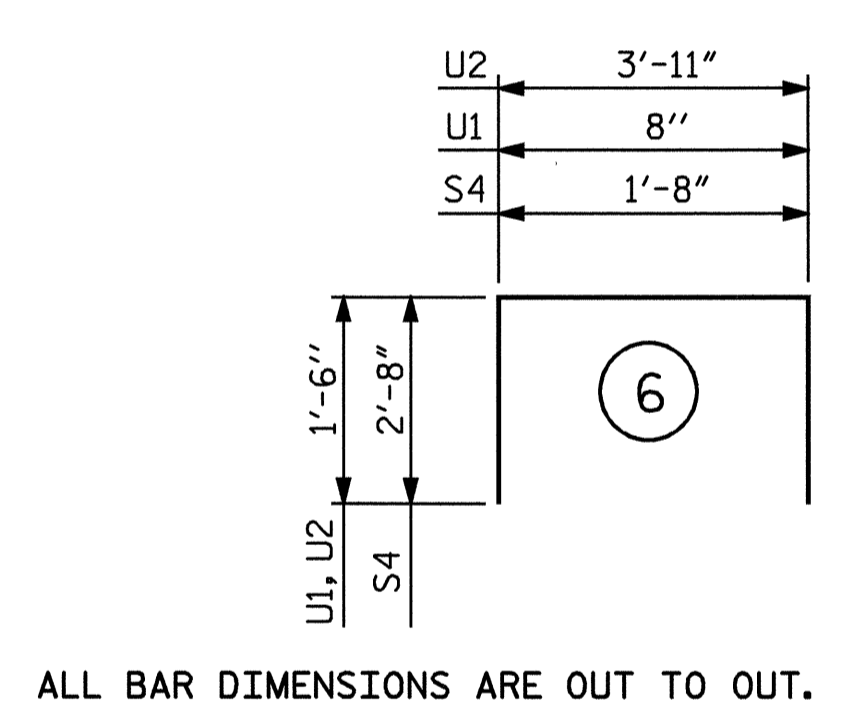
BAGGED STONE SHALL REMAIN IN PLACE UNTIL THE ENGINEER DIRECTS THAT IT BE REMOVED. THE CONTRACTOR SHALL REMOVE AND DISPOSE OF SILT ACCUMULATIONS AT BAGGED STONE WHEN SO DIRECTED BY THE ENGINEER. BAGS SHALL BE REMOVED AND REPLACED WHENEVER THE ENGINEER DETERMINES THAT THEY HAVE DETERIORATED AND LOST THEIR EFFECTIVENESS.

NO SEPARATE PAYMENT WILL BE MADE FOR THIS WORK AND THE ENTIRE COST OF THIS WORK SHALL BE INCLUDED IN THE UNIT CONTRACT PRICE BID FOR THE SEVERAL PAY ITEMS.

**TEMPORARY DRAINAGE AT END BENT**



BILL OF MATERIAL					
END BENT #1					
BAR	NO.	SIZE	TYPE	LENGTH	WEIGHT
B1	6	9	1	59'-9"	1219
B2	6	9	2	34'-7"	706
B3	6	9	2	34'-0"	694
B4	2	5	STR	27'-1"	56
B5	4	5	STR	57'-5"	240
B6	16	4	STR	30'-0"	321
B7	22	4	STR	3'-11"	58
B8	12	4	STR	13'-9"	110
B9	6	4	STR	2'-4"	9
B10	6	4	STR	9'-6"	38
B11	6	4	STR	8'-1"	32
B12	6	4	STR	4'-3"	17
H1	24	5	3	7'-7"	190
K1	24	4	STR	30'-0"	481
K2	4	5	STR	2'-8"	11
S1	31	5	4	10'-1"	326
S2	63	5	5	4'-10"	318
S3	32	5	4	11'-1"	370
S4	42	4	6	7'-0"	196
U1	56	4	6	3'-8"	137
U2	34	4	6	6'-11"	157
V1	24	5	STR	9'-1"	227
V2	28	5	STR	8'-8"	253
V3	28	5	STR	8'-4"	243
V4	28	5	STR	7'-11"	231
V5	8	5	STR	9'-0"	75
V6	6	5	STR	9'-2"	57
V7	10	5	STR	9'-3"	96
V8	4	5	STR	10'-0"	42
REINFORCING STEEL				LBS	6910
CLASS "A" CONCRETE BREAKDOWN					
POUR #1					
CAP & LOWER PART OF WING				34.3	YD3
POUR #2					
BACKWALL & UPPER PART OF WING				13.0	YD3
CLASS "A" CONCRETE TOTAL				47.3	YD3
HP 14 x 73 STEEL PILES					
NO. 14		LIN. FT. 560			



ALL BAR DIMENSIONS ARE OUT TO OUT.

DRAWN BY : T.L. AVERETTE DATE : 07-03  
 CHECKED BY : W.D. CRUTCHER DATE : 08-03



PROJECT NO. B-3157  
DAVIDSON COUNTY  
 STATION: 29+25.37 -L-

SHEET 3 OF 3

STATE OF NORTH CAROLINA DEPARTMENT OF TRANSPORTATION RALEIGH					
SUBSTRUCTURE					
END BENT #1 RIGHT LANE					
REVISIONS					
NO.	BY:	DATE:	NO.	BY:	DATE:
1			3		
2			4		