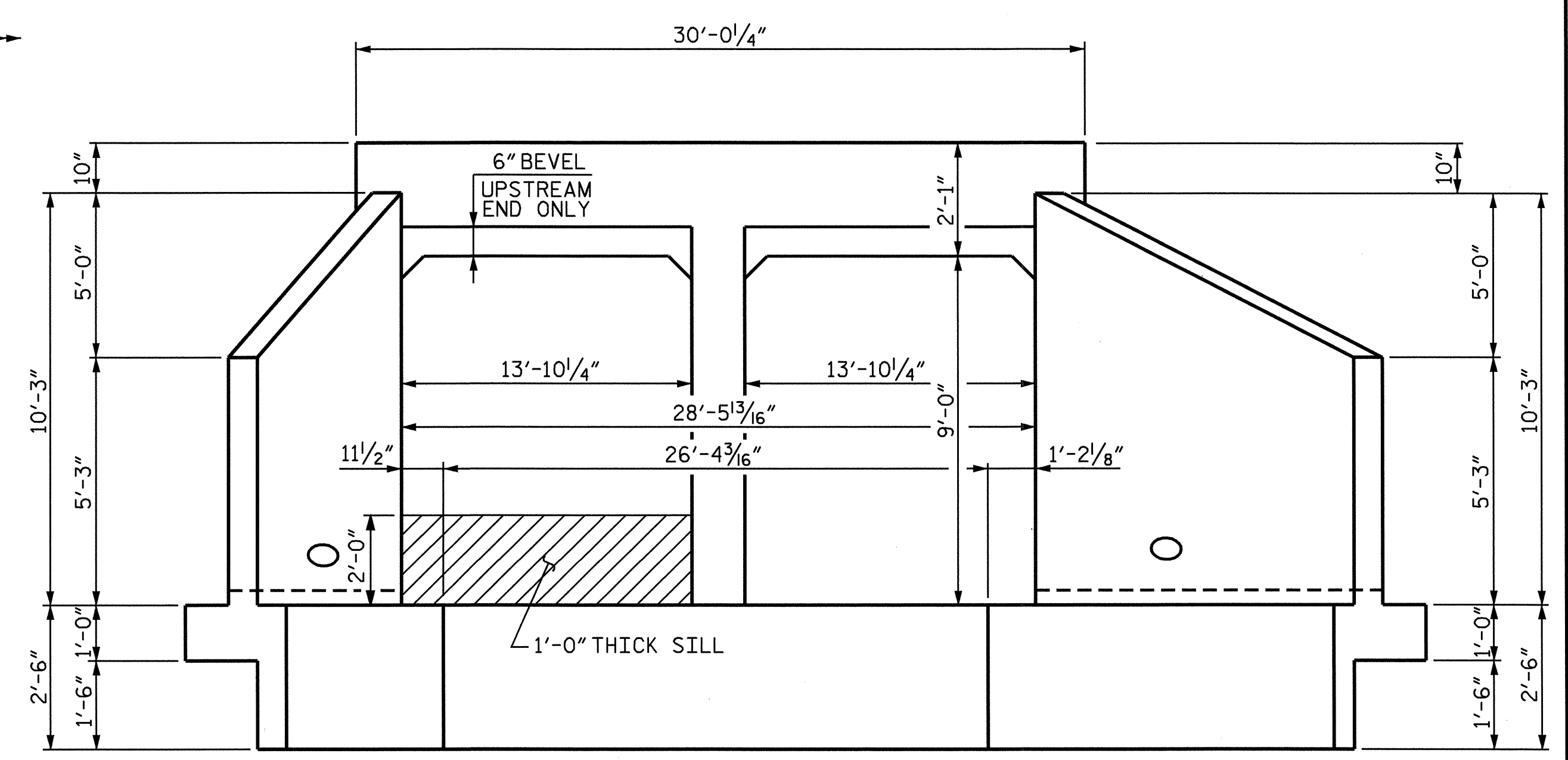
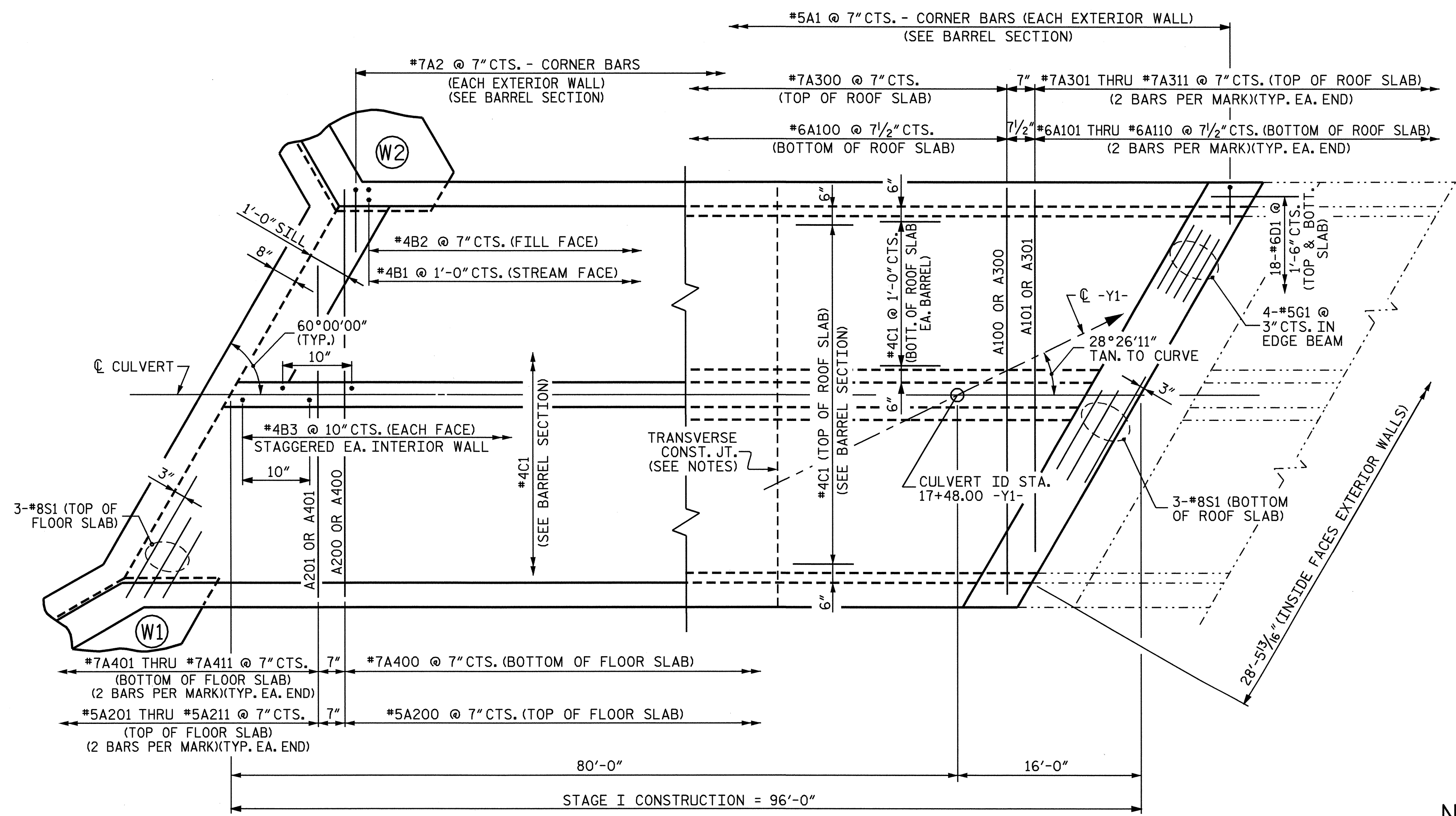


CULVERT SECTION NORMAL TO ROADWAY - STAGE I

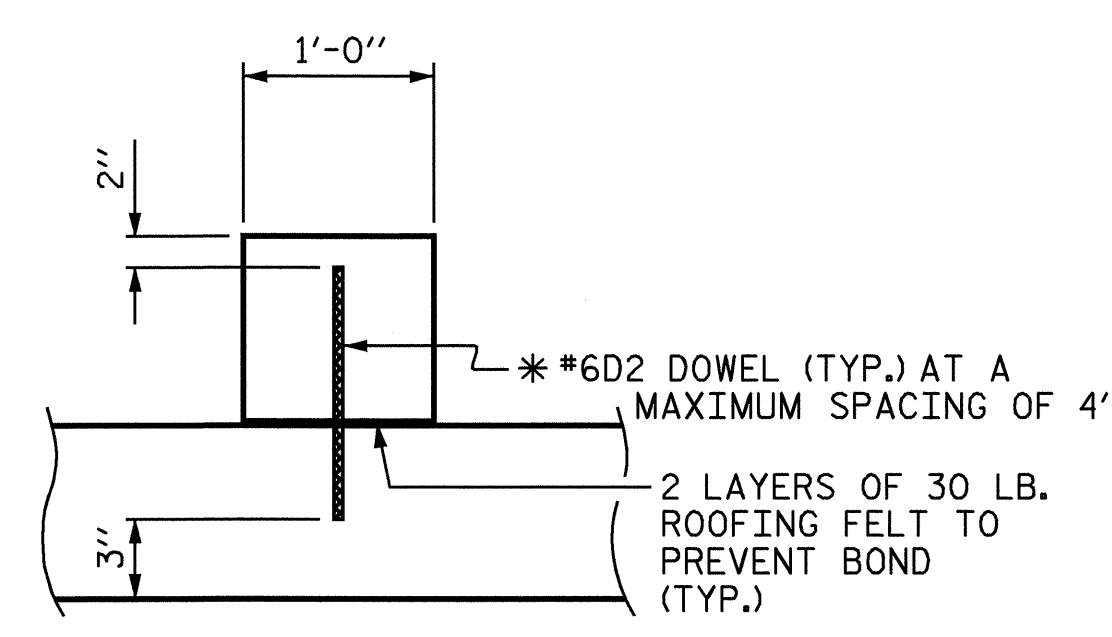


INLET END ELEVATION NORMAL TO SKEW



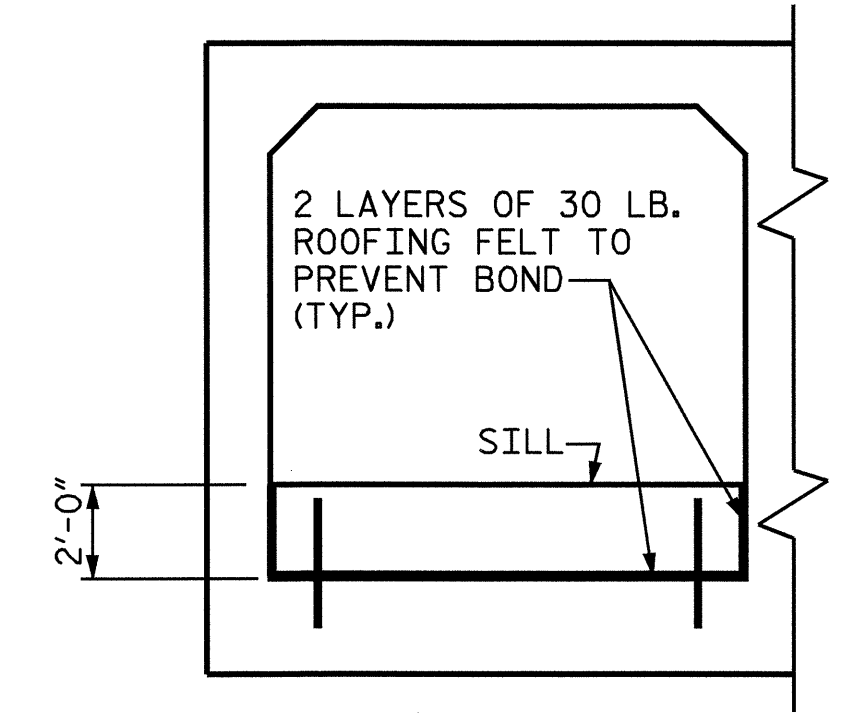
PART PLAN - FLOOR SLAB - STAGE I

PART PLAN - ROOF SLAB - STAGE I



* DOWELS MAY BE PUSHED INTO GREEN CONCRETE AFTER SLAB HAS BEEN FLOAT FINISHED.

SECTION THROUGH SILL



ELEVATION CULVERT SILL DETAILS

NOTE

*6D1 DOWELS TO BE PLACED DURING STAGE II CONSTRUCTION. DOWELS SHOWN HERE FOR REFERENCE ONLY.



PROJECT NO. B-3157
DAVIDSON COUNTY
STATION: 17+48.00 -Y1-

SHEET 2 OF 11

STATE OF NORTH CAROLINA
DEPARTMENT OF TRANSPORTATION
RALEIGH
DOUBLE 12 FT. X 9 FT.
CONCRETE BOX CULVERT
(STAGE I CONSTRUCTION) 1971

REVISIONS						SHEET NO.
NO.	BY:	DATE:	NO.	BY:	DATE:	C-2
1			3			TOTAL SHEETS 19
2			4			

STR. #3 STD NO CR32

REVISED 11-19-99 BY M.M. CHECKED BY R.W.W. ARB
REDRAWN 10-15-90 BY F. DONOVAN CHECKED BY ARB

ASSEMBLED BY: M.M. PARSONS	DATE: 5/5/03	SPECIAL
CHECKED BY: T.L. AVERETTE	DATE: 7/03	
DRAWN BY: JERRY HARRIS	DATE: JUNE 1971	STANDARD
CHECKED BY: JOEL JOHNSON	DATE: JULY 1971	