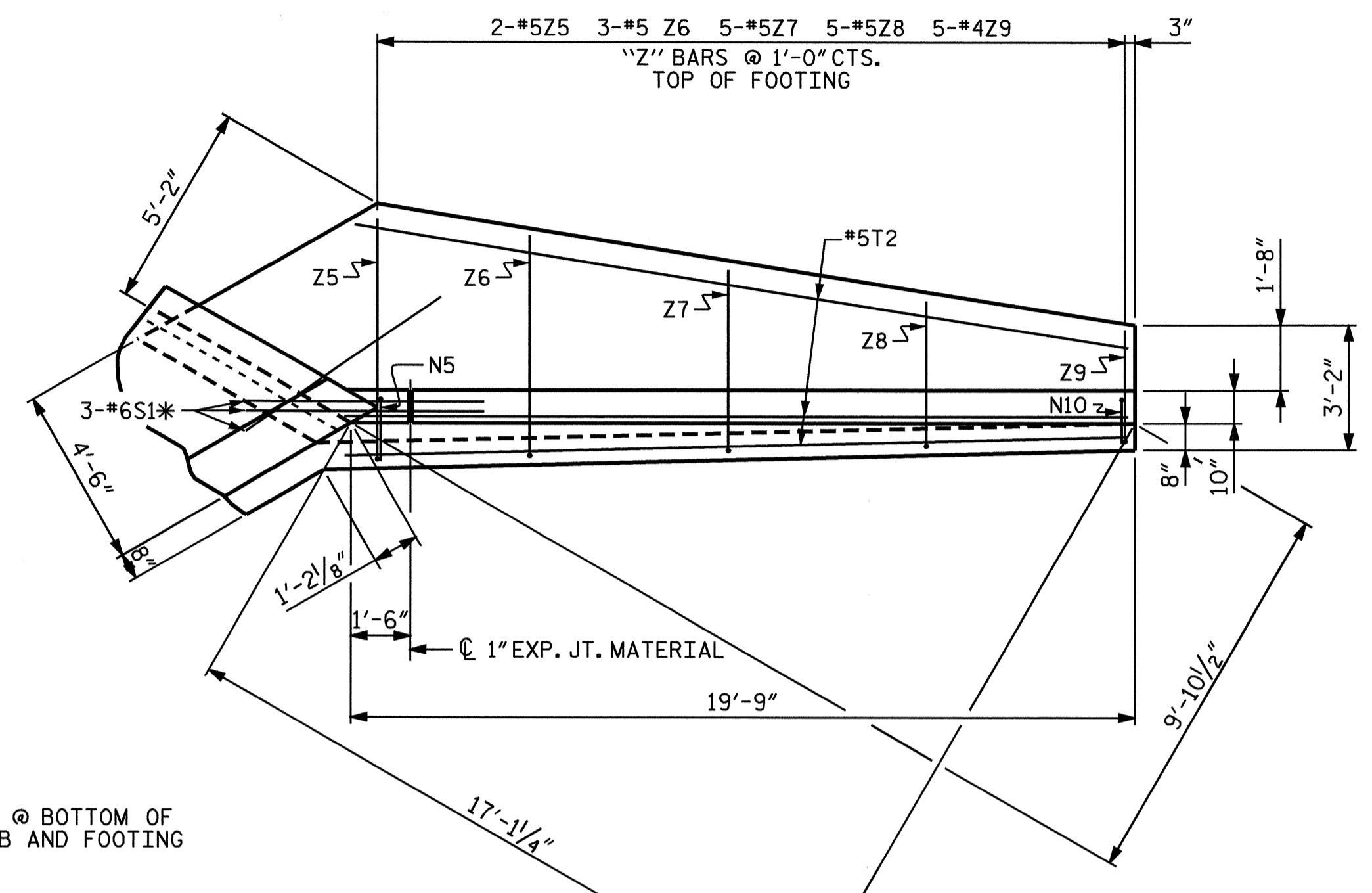
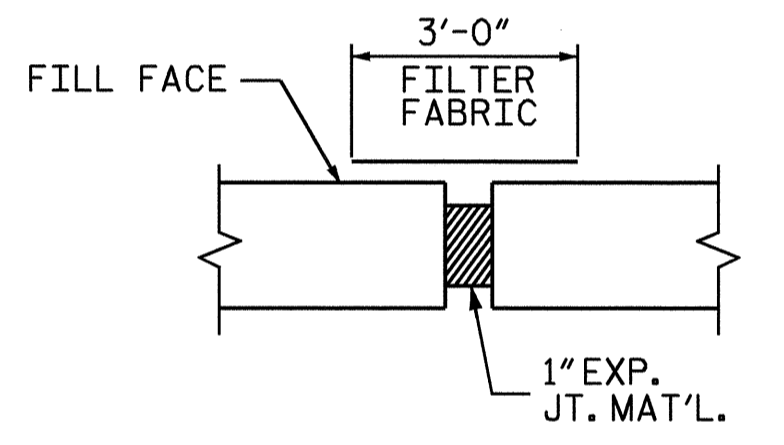


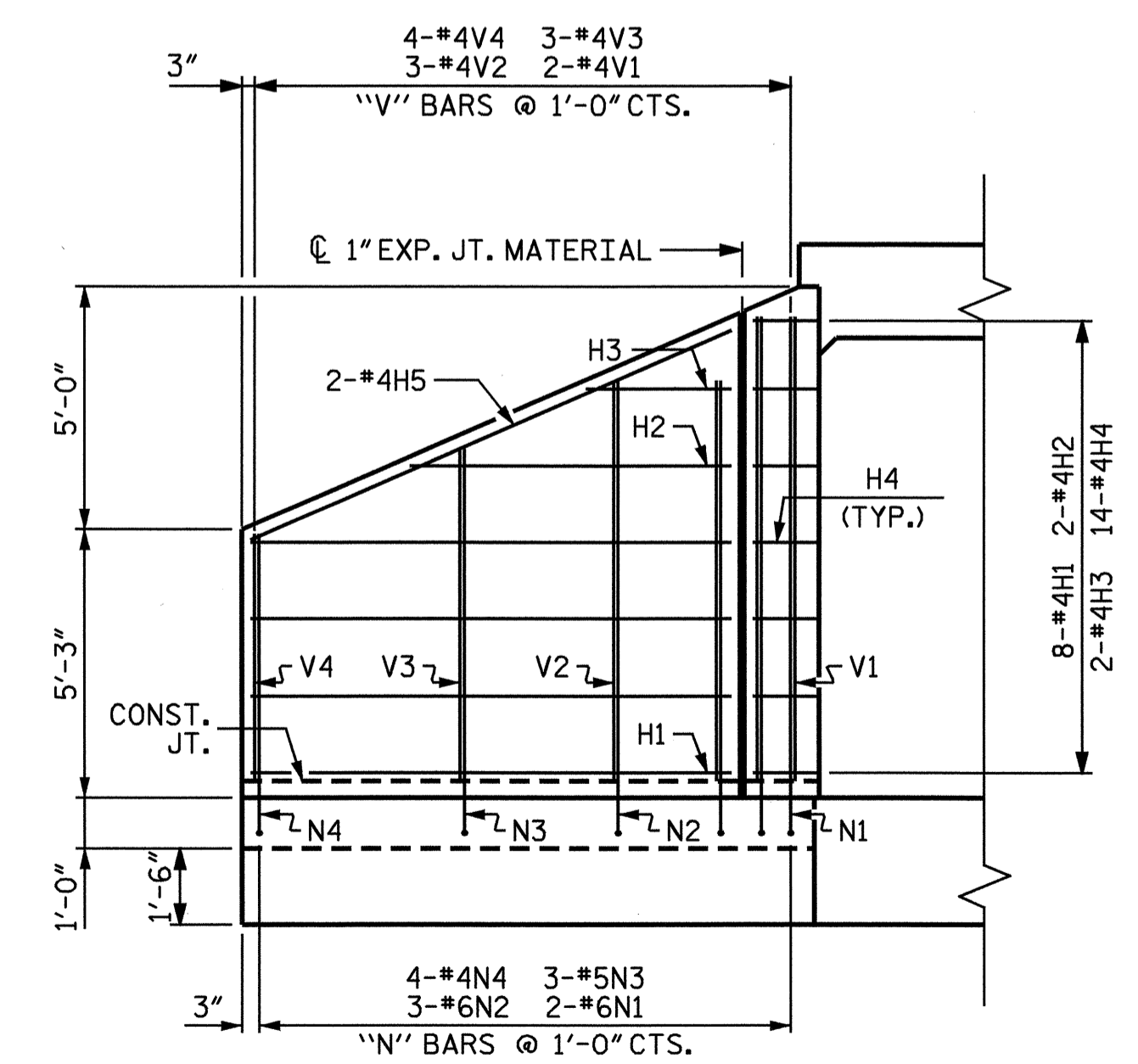
PLAN W2



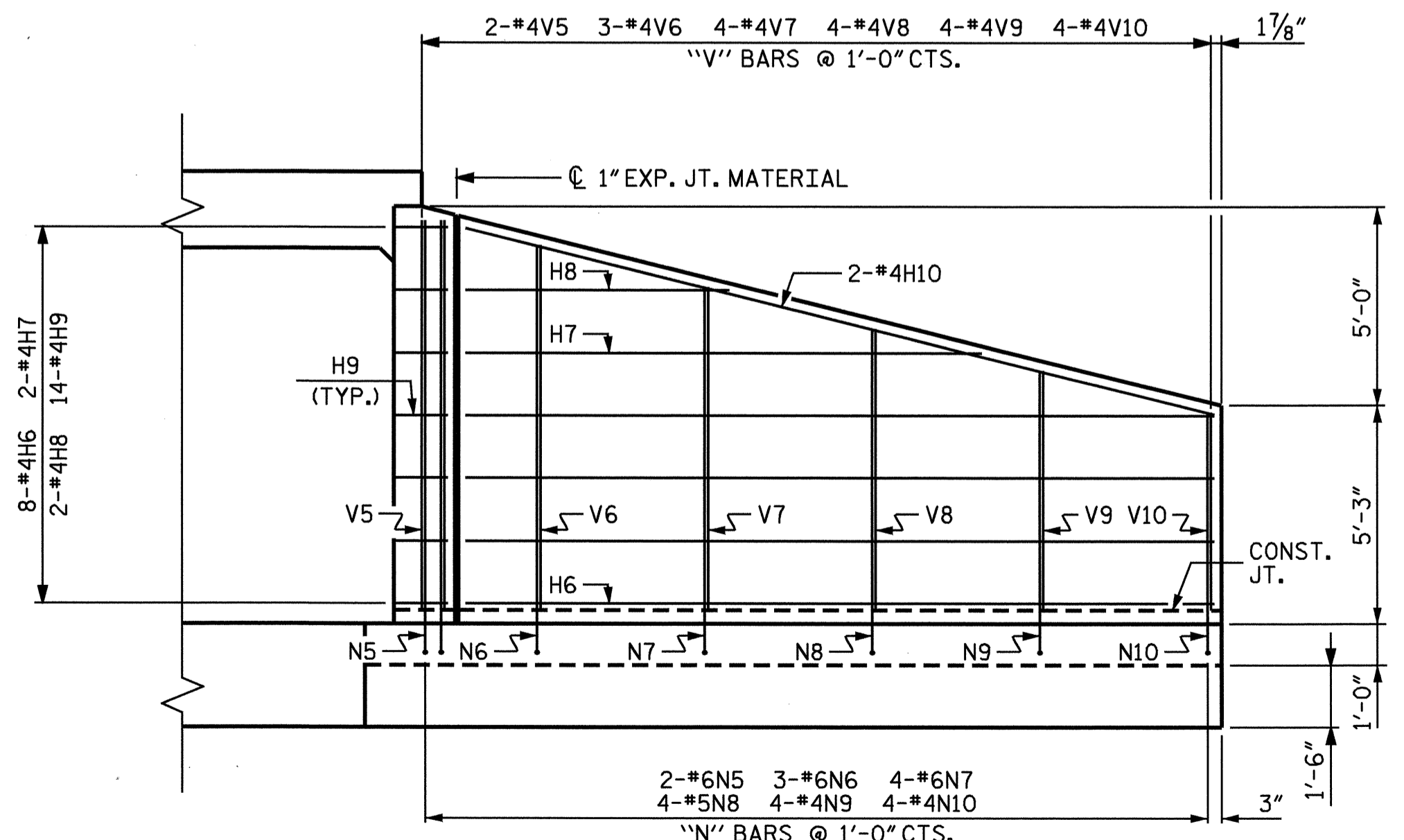
PLAN W1



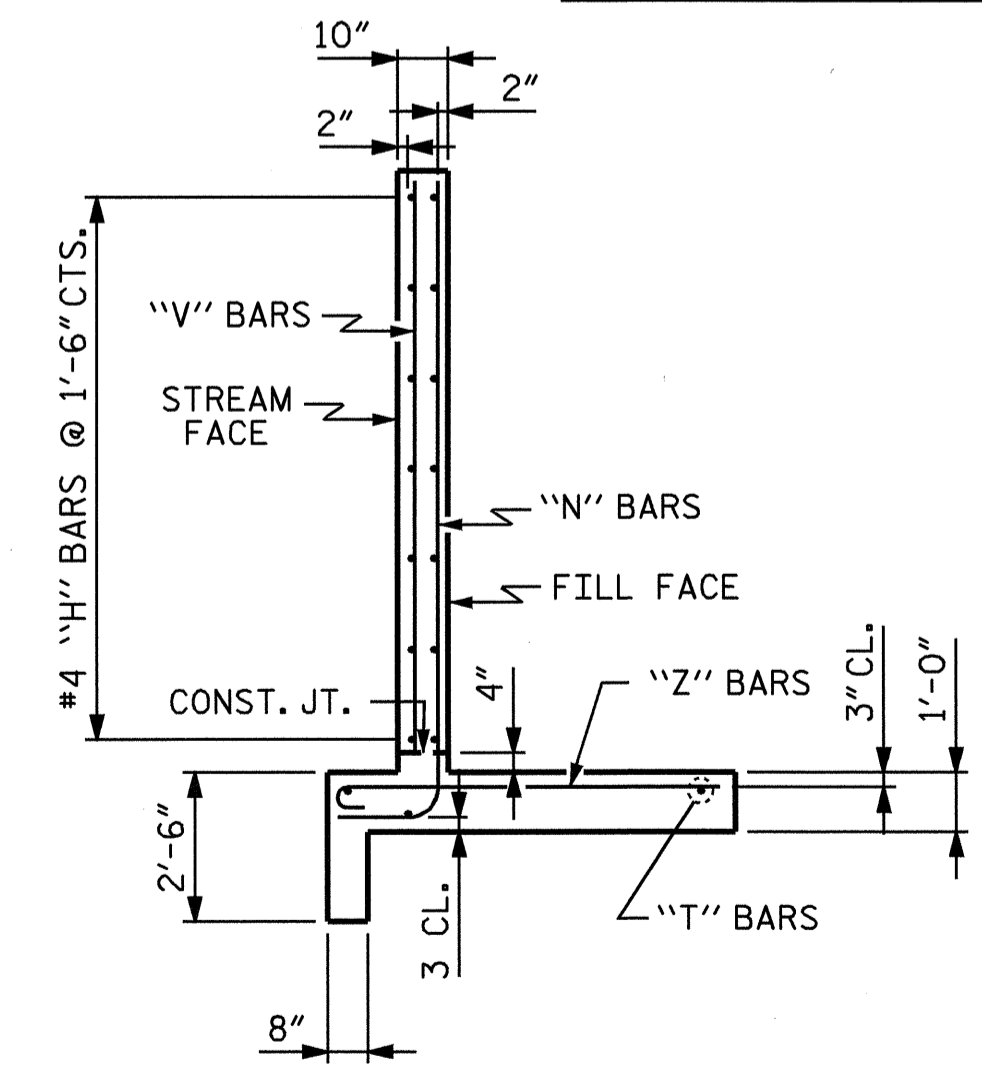
FABRIC DETAIL



ELEVATION W2



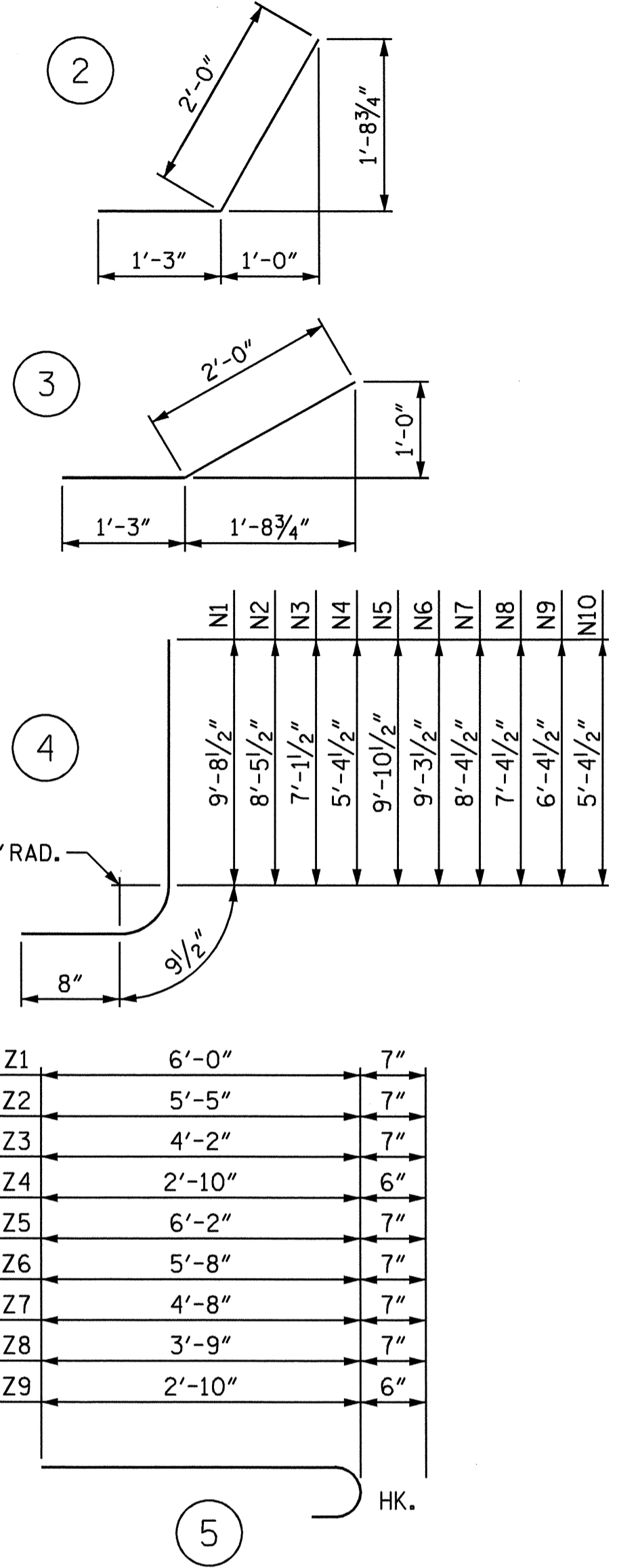
ELEVATION W1



TYPICAL WING SECTION

BAR TYPES

ALL BAR DIMENSIONS ARE OUT TO OUT.



BILL OF MATERIAL

BAR NO.	SIZE	TYPE	LENGTH	WEIGHT
H1	#4	STR	9'-4"	50
H2	#4	STR	6'-3"	8
H3	#4	STR	2'-10"	4
H4	#4	2	3'-3"	30
H5	#4	STR	10'-2"	14
H6	#4	STR	17'-10"	95
H7	#4	STR	12'-4"	16
H8	#4	STR	6'-3"	8
H9	#4	3	3'-3"	30
H10	#4	STR	18'-5"	25
N1	#6	4	11'-2"	34
N2	#6	4	9'-11"	45
N3	#5	4	8'-7"	27
N4	#4	4	6'-10"	18
N5	#6	4	11'-4"	34
N6	#6	4	10'-9"	48
N7	#6	4	9'-10"	59
N8	#5	4	8'-10"	37
N9	#4	4	7'-10"	21
N10	#4	4	6'-10"	18
S1	#6	STR	6'-0"	54
T1	#5	STR	11'-3"	35
T2	#5	STR	19'-9"	62
V1	#4	STR	9'-1"	12
V2	#4	STR	7'-10"	16
V3	#4	STR	6'-6"	13
V4	#4	STR	4'-10"	13
V5	#4	STR	9'-4"	12
V6	#4	STR	8'-9"	18
V7	#4	STR	7'-9"	21
V8	#4	STR	6'-9"	18
V9	#4	STR	5'-9"	15
V10	#4	STR	4'-9"	13
Z1	#5	5	6'-7"	14
Z2	#5	5	6'-0"	13
Z3	#5	5	4'-9"	20
Z4	#4	5	3'-4"	9
Z5	#5	5	6'-9"	14
Z6	#5	5	6'-3"	20
Z7	#5	5	5'-3"	27
Z8	#5	5	4'-4"	23
Z9	#4	5	3'-4"	11
REINFORCING STEEL FOR 2 WINGS				1074 LBS
CLASS A CONCRETE				
2 WINGS				15.1 CY
1 HEADWALL/2 EDGE BEAMS				3.9 CY
1 END CURTAIN WALL				1.6 CY
TOTAL				20.6 CY

ASSEMBLED BY : M. M. PARSONS DATE : 5/12/03
 CHECKED BY : T.L. AVERETTE DATE : 7/03
 DRAWN BY : CCJ 12/99
 CHECKED BY : RWW 03/00



PROJECT NO. B-3157
DAVIDSON COUNTY
 STATION: 17+48.00 -Y1-
 SHEET 4 OF 11

REVISIONS						SHEET NO.
NO.	BY:	DATE:	NO.	BY:	DATE:	C-4
1			3			TOTAL SHEETS
2			4			19