

NOTES

- THE GUARDRAIL ANCHOR ASSEMBLY FOR CULVERTS SHALL CONSIST OF THE FOLLOWING COMPONENTS :
- A. FERRULES SHALL BE MADE FROM STEEL MEETING THE REQUIREMENTS OF AASHTO M169, GRADE 12L14 AND SHALL HAVE A MINIMUM LENGTH OF THREADS OF 2 1/2".
 - B. 4 - 1" Ø X 2 1/4" BOLTS WITH WASHERS, BOLTS SHALL CONFORM TO THE REQUIREMENTS OF ASTM A307. BOLTS AND WASHERS SHALL BE GALVANIZED, (AT THE CONTRACTOR'S OPTION, STAINLESS STEEL BOLTS AND WASHERS MAY BE USED AS AN ALTERNATE FOR THE 1" Ø X 2 1/4" GALVANIZED BOLTS AND WASHERS. THEY SHALL CONFORM TO OR EXCEED THE MECHANICAL REQUIREMENTS OF ASTM A307. THE USE OF THIS ALTERNATE SHALL BE APPROVED BY THE ENGINEER.)
 - C. WIRE STRUTS SHOWN IN THE GUARDRAIL ANCHOR ASSEMBLY FOR CULVERTS DETAIL ARE MINIMUM ALLOWABLE SIZE AND SHALL HAVE A MINIMUM TENSILE STRENGTH OF 100,000 P.S.I. AS AN OPTION, A 7/16" Ø WIRE STRUT WITH A MINIMUM TENSILE STRENGTH OF 90,000 PSI IS ACCEPTABLE.

GUARDRAIL ANCHOR ASSEMBLY WITH BOLTS SHALL BE ASSEMBLED IN THE SHOP. BOLT THREADS MAY BE RECUT AS NECESSARY TO INSURE FIT.

THE COST OF THE GUARDRAIL ANCHOR ASSEMBLY FOR CULVERTS COMPLETE IN PLACE, SHALL BE INCLUDED IN THE UNIT CONTRACT PRICE BID FOR CLASS "A" CONCRETE.

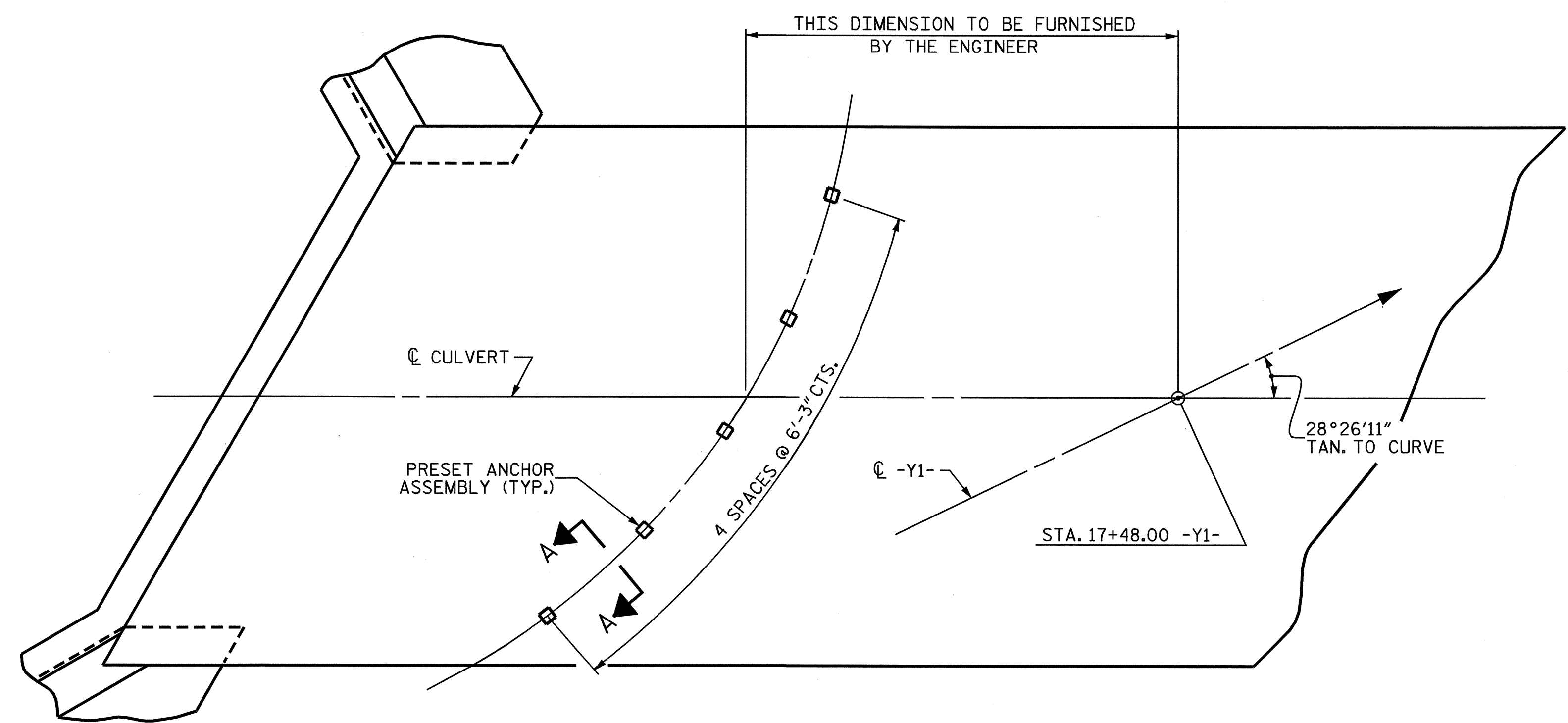
FERRULES TO BE PLUGGED DURING POURING OF SLAB AS RECOMMENDED BY THE MANUFACTURER.

AT THE CONTRACTOR'S OPTION, FERRULES WITH OPEN OR CLOSED ENDS MAY BE USED.

PAYMENT FOR GUARDRAIL, POSTS, AND POST BASE PLATES IS INCLUDED IN ROADWAY PAY ITEMS.

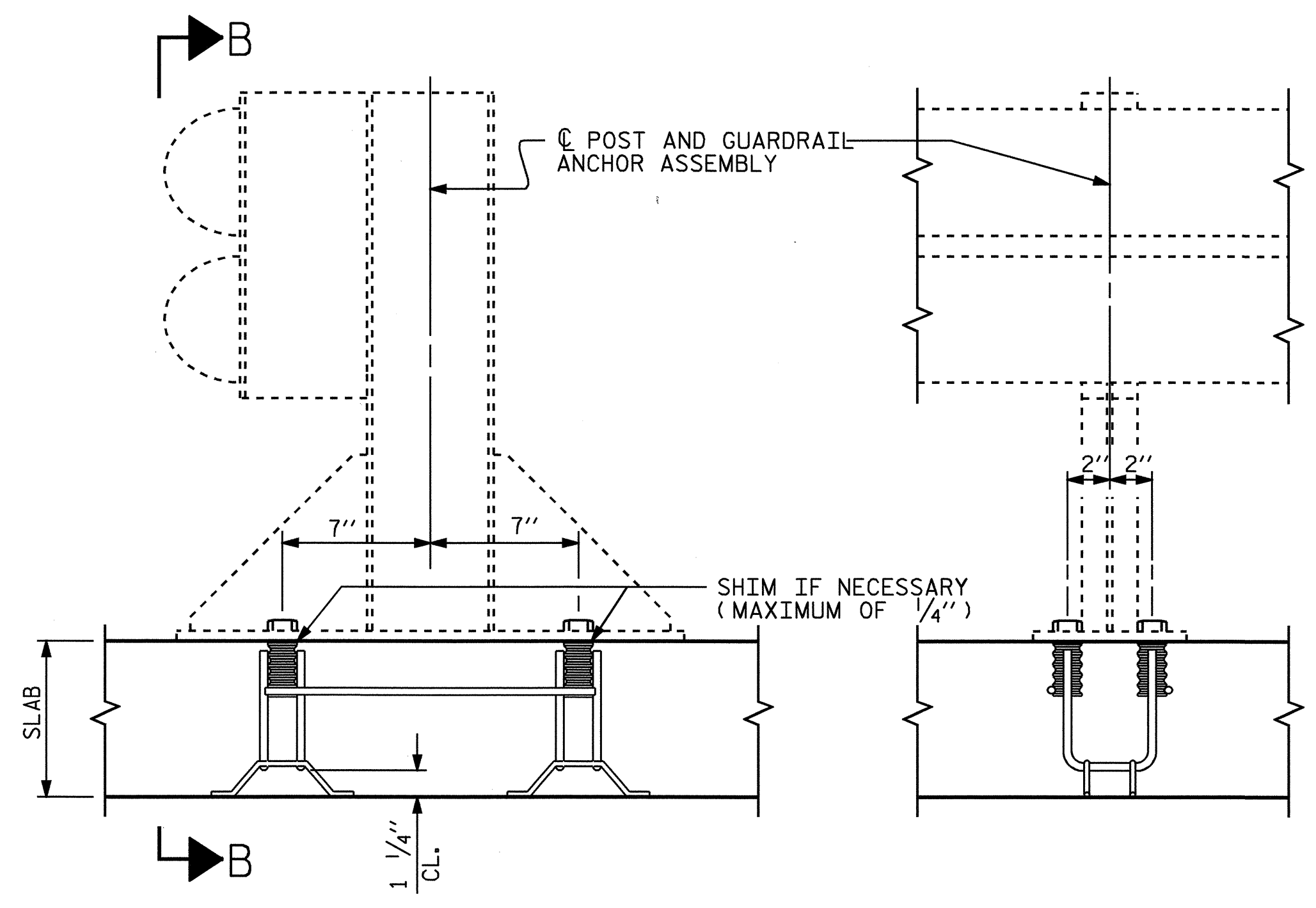
SLAB REINFORCING STEEL MAY BE SHIFTED AS NECESSARY TO CLEAR GUARDRAIL ANCHOR ASSEMBLY. CARE SHOULD BE TAKEN TO KEEP THE SHIFTING OF REINFORCING STEEL TO A MINIMUM.

THE CONTRACTOR MAY, AT HIS OPTION, USE ADHESIVELY ANCHORED ANCHOR BOLTS IN PLACE OF GUARDRAIL ANCHOR ASSEMBLY. THE YIELD LOAD OF THE 1" Ø BOLT IS 21.8 KIPS. FIELD TESTING OF THE ADHESIVE BONDING SYSTEM IS REQUIRED, SEE SPECIAL PROVISIONS FOR "ADHESIVELY ANCHORED ANCHOR BOLTS OR DOWELS".



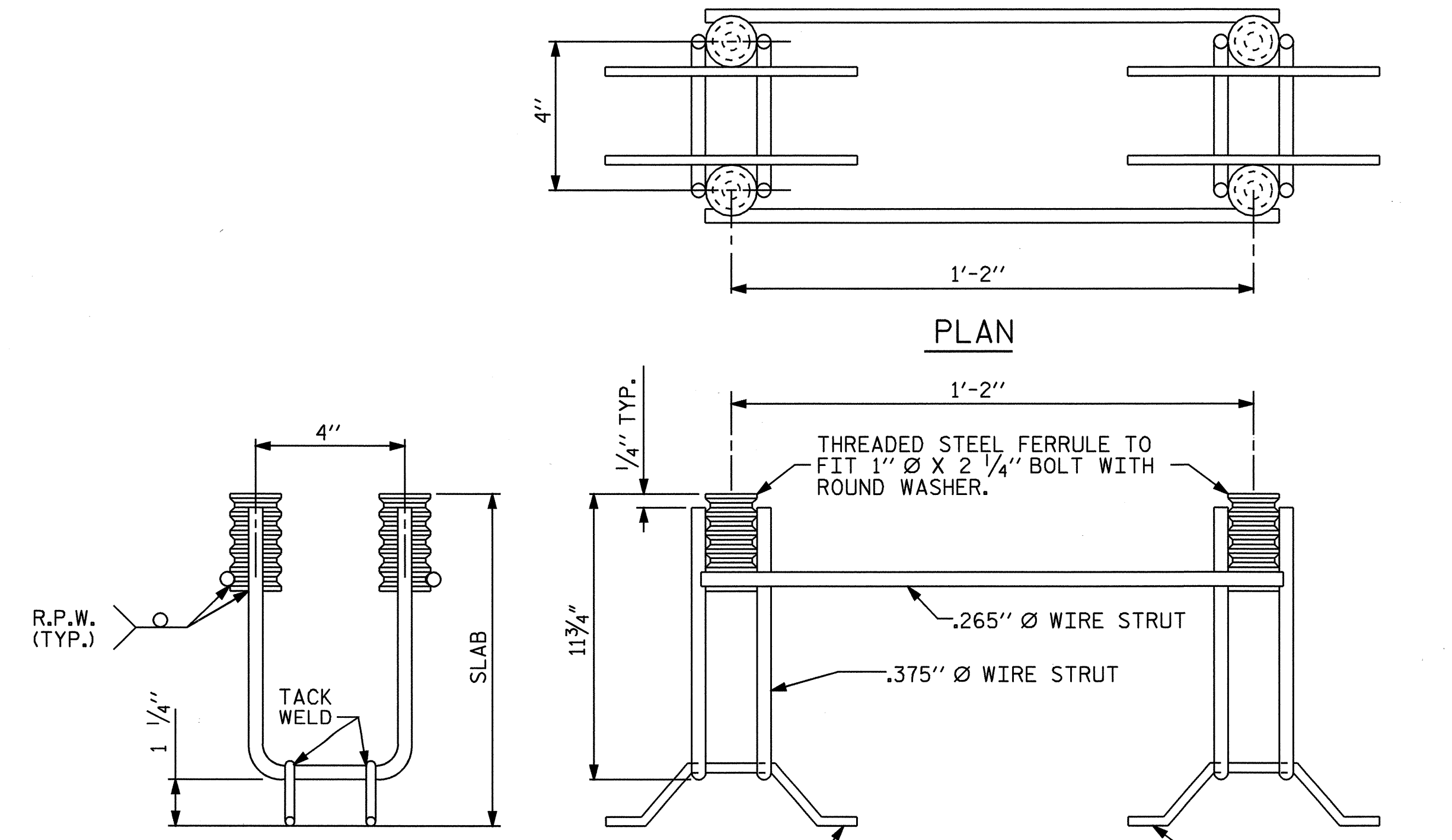
PLAN

SHOWING : GUARDRAIL ANCHOR ASSEMBLY SPACING.



SECTION A-A

SECTION B-B



ELEVATION

SIDE VIEW

THIS SUPPORT SHALL MEET THE REQUIREMENTS AS SPECIFIED FOR SUPPORTS FOR REINFORCING STEEL. SEE SPECIFICATIONS.

GUARDRAIL ANCHOR ASSEMBLY FOR CULVERTS

PROJECT NO. B-3157
DAVIDSON COUNTY
 STATION: 17+48.00 -Y1-

SHEET 5 OF 11

STATE OF NORTH CAROLINA
 DEPARTMENT OF TRANSPORTATION
 RALEIGH

STANDARD
 ANCHORAGE DETAILS FOR
 GUARDRAIL ANCHOR ASSEMBLY
 FOR CULVERTS
 (STAGE I CONSTRUCTION)

MARCH 1990



NO.		BY:		DATE:		NO.		BY:		DATE:		SHEET NO.	
1						3						TOTAL SHEETS	C-5
2						4						19	

ASSEMBLED BY :	W.D. CRUTCHER	DATE :	6-30-04
CHECKED BY :	E.E. MURRAY	DATE :	7-9-04
DRAWN BY :	FCJ	6/88	REV. 8/16/99
CHECKED BY :	ARB	6/88	REV. 7/10/01
			REV. 5/7/03
			RAL/LES
			LES/RDR
			RWW/JTE