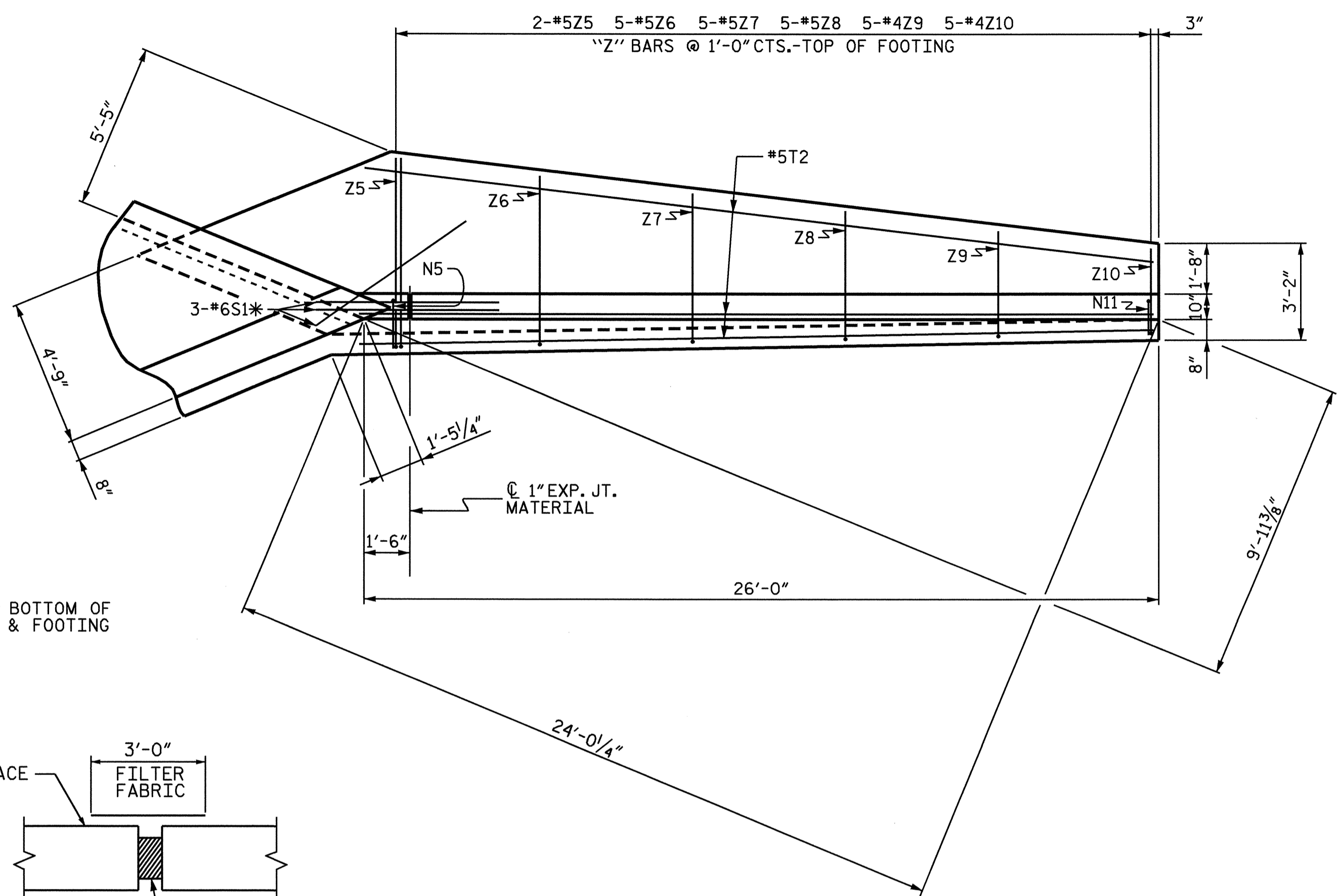
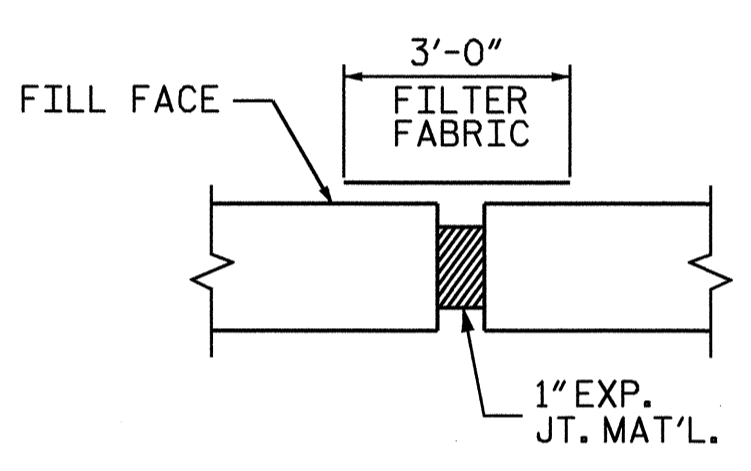


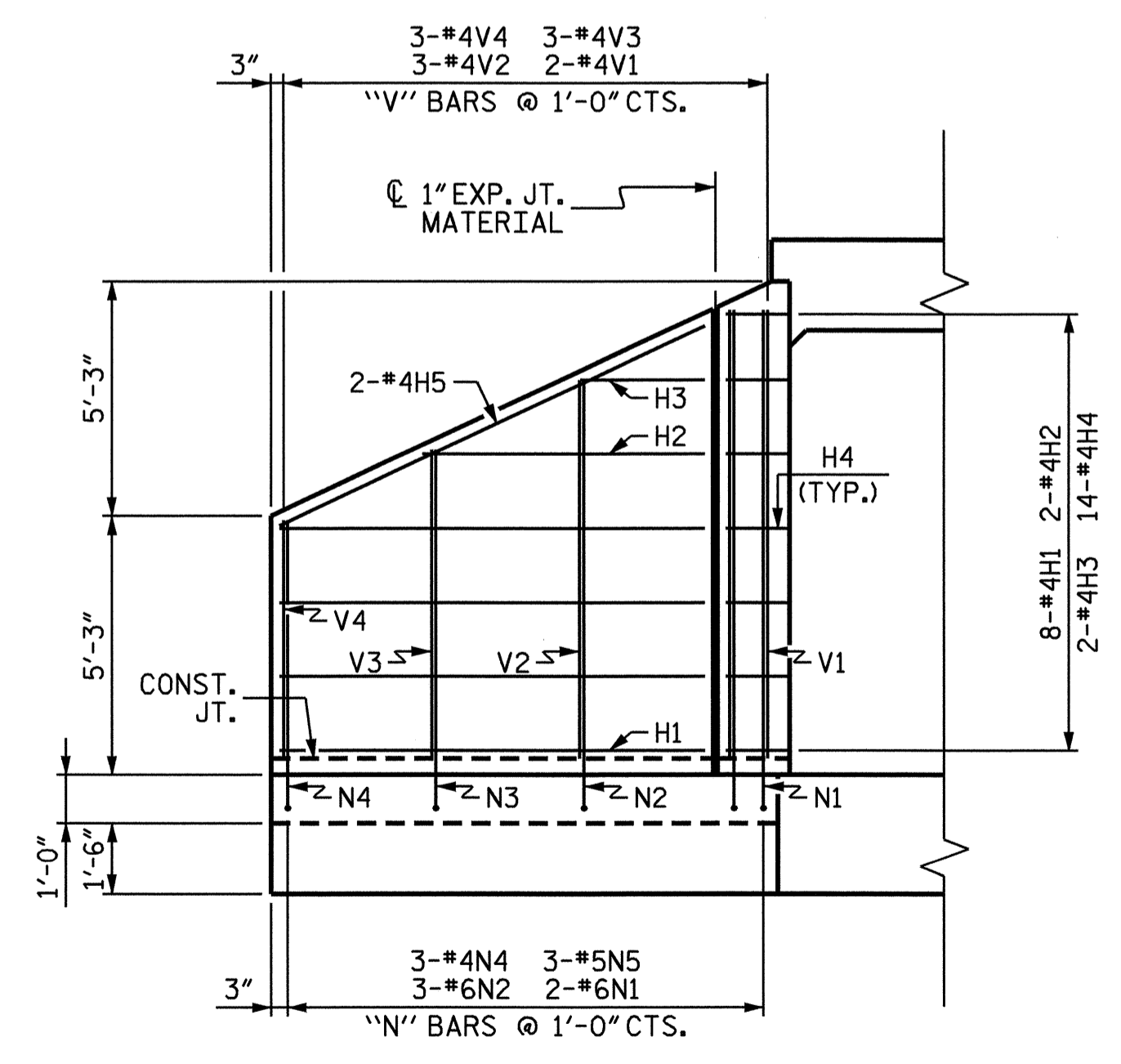
PLAN W4



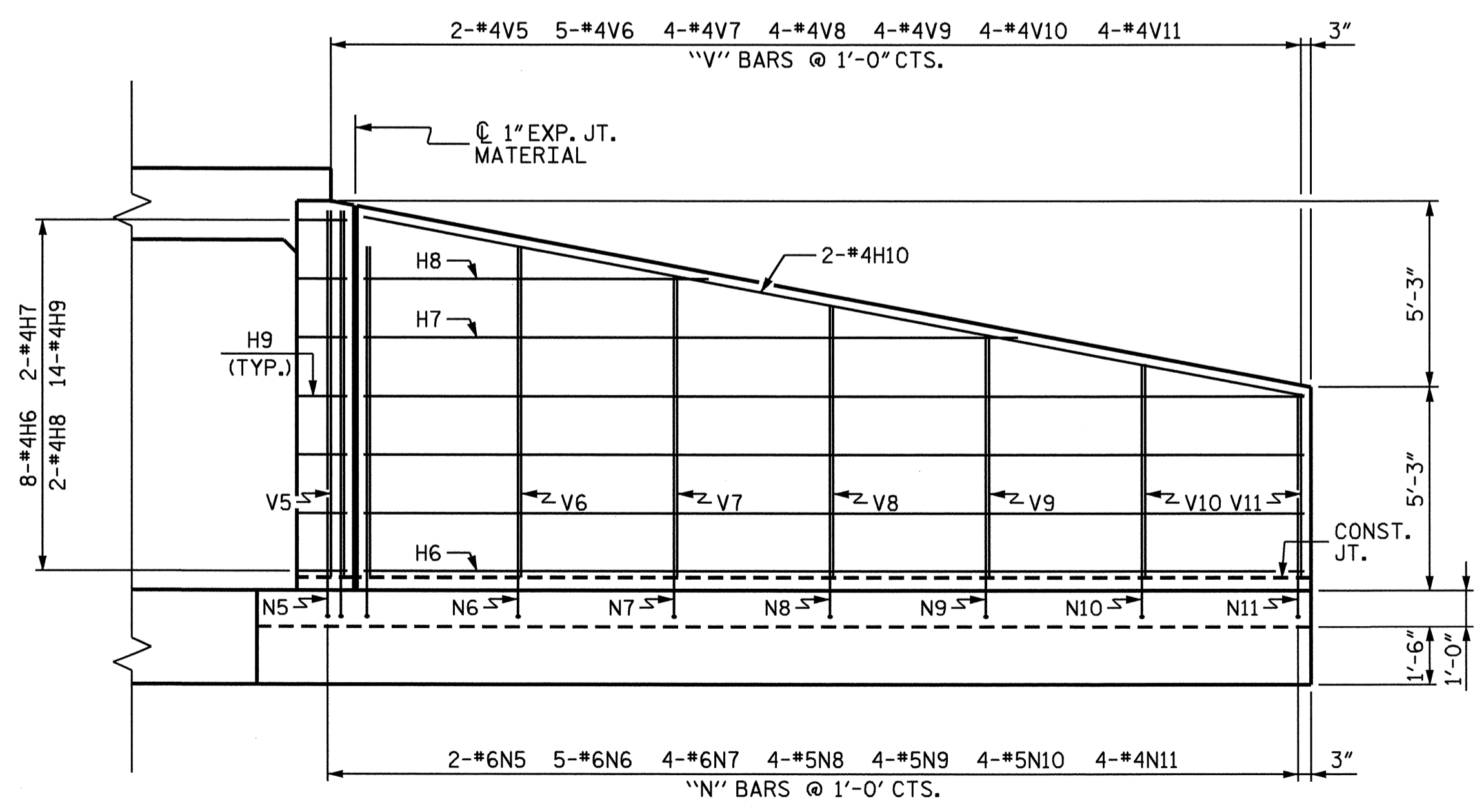
PLAN W3



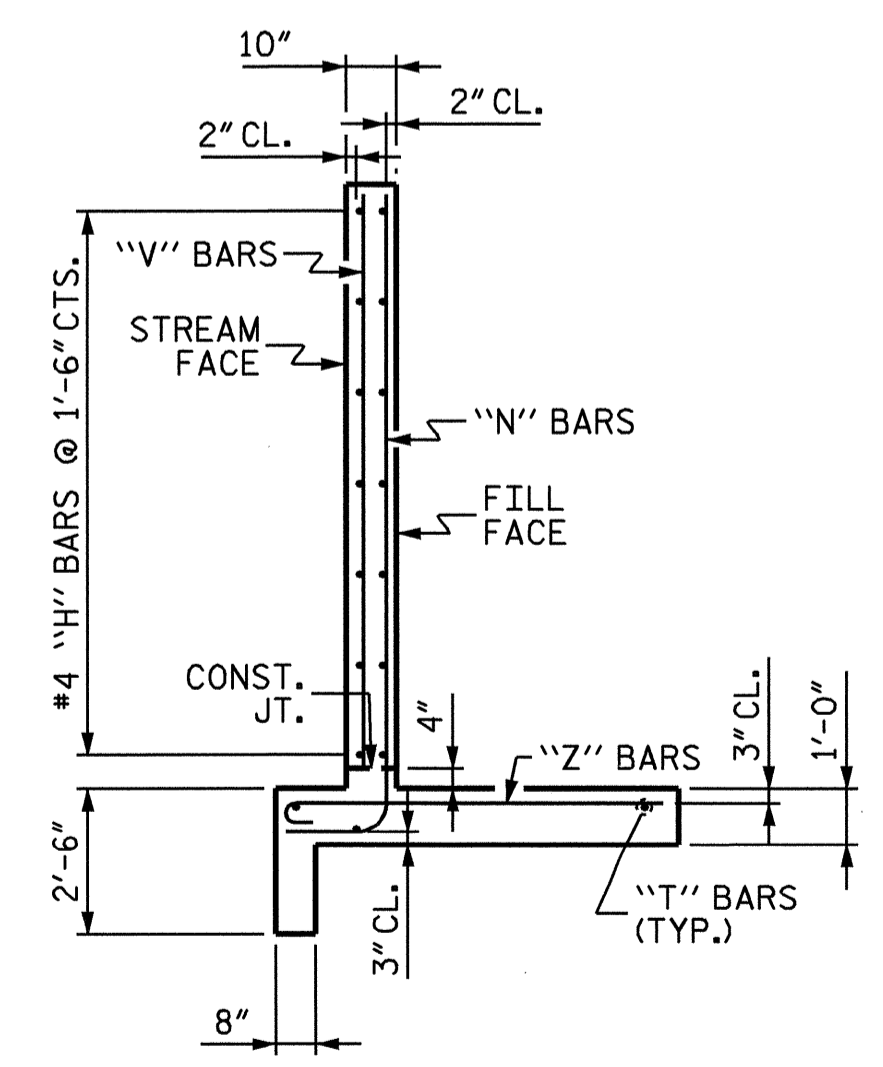
FABRIC DETAIL



ELEVATION W4



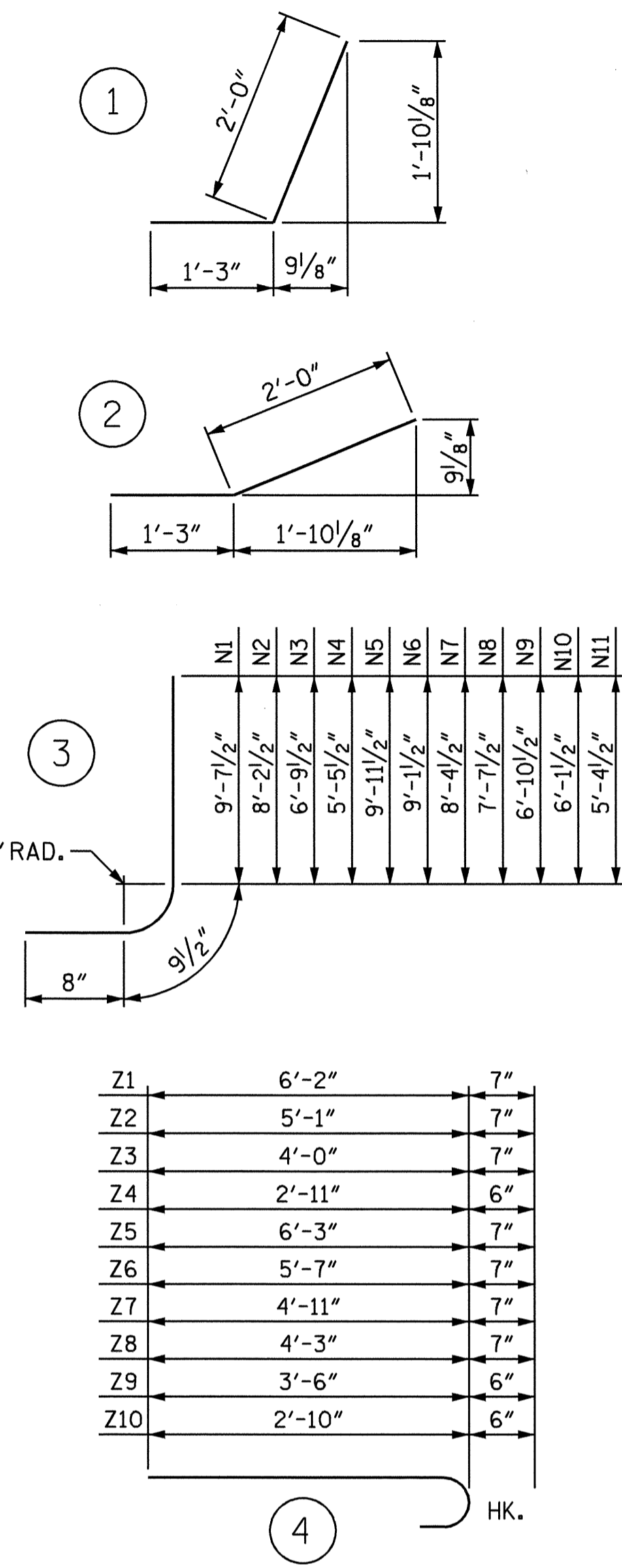
ELEVATION W3



TYPICAL WING SECTION

BAR TYPES

ALL BAR DIMENSIONS ARE OUT TO OUT.



BILL OF MATERIAL

BAR NO.	NO.	SIZE	TYPE	LENGTH	WEIGHT
H1	8	#4	STR	8'-7"	46
H2	2	#4	STR	5'-8"	8
H3	2	#4	STR	2'-6"	3
H4	14	#4	1	3'-3"	30
H5	2	#4	STR	9'-6"	13
H6	8	#4	STR	24'-1"	129
H7	2	#4	STR	16'-9"	22
H8	2	#4	STR	8'-10"	12
H9	14	#4	2	3'-3"	30
H10	2	#4	STR	24'-6"	33
N1	2	#6	3	11'-1"	33
N2	3	#6	3	9'-8"	44
N3	3	#5	3	8'-3"	26
N4	3	#4	3	6'-11"	14
N5	2	#6	3	11'-5"	34
N6	5	#6	3	10'-7"	79
N7	4	#6	3	9'-10"	59
N8	4	#5	3	9'-1"	38
N9	4	#5	3	8'-4"	35
N10	4	#5	3	7'-7"	32
N11	4	#4	3	6'-10"	18
S1	6	#6	STR	6'-0"	54
T1	3	#5	STR	10'-6"	33
T2	3	#5	STR	26'-0"	81
V1	2	#4	STR	9'-1"	12
V2	3	#4	STR	7'-8"	15
V3	3	#4	STR	6'-3"	13
V4	3	#4	STR	4'-10"	10
V5	2	#4	STR	9'-5"	13
V6	5	#4	STR	8'-6"	28
V7	4	#4	STR	7'-9"	21
V8	4	#4	STR	7'-0"	19
V9	4	#4	STR	6'-3"	17
V10	4	#4	STR	5'-6"	15
V11	4	#4	STR	4'-9"	13
Z1	2	#5	4	6'-9"	14
Z2	3	#5	4	5'-8"	18
Z3	3	#5	4	4'-7"	14
Z4	3	#4	4	3'-5"	7
Z5	2	#5	4	6'-10"	14
Z6	5	#5	4	6'-2"	32
Z7	5	#5	4	5'-6"	29
Z8	5	#5	4	4'-10"	25
Z9	5	#4	4	4'-0"	13
Z10	5	#4	4	3'-4"	11

REINFORCING STEEL 1259 LBS FOR 2 WINGS

CLASS A CONCRETE

2 WINGS	18.1	CY
1 HEADWALL/2 EDGE BEAMS	4.2	CY
1 END CURTAIN WALL	2.0	CY
TOTAL	24.3	CY

PROJECT NO. B-3157
 DAVIDSON COUNTY
 STATION: 17+48.00 -Y1-

SHEET 10 OF 11

STATE OF NORTH CAROLINA
 DEPARTMENT OF TRANSPORTATION
 RALEIGH
 STANDARD WINGS FOR
 CONCRETE BOX CULVERT
 135° SKEW
 H = 9'-0" SLOPE = 2:1
 (STAGE II CONSTRUCTION)



REVISIONS

NO.	BY:	DATE:	NO.	BY:	DATE:
1			3		
2			4		

6/29/04

ASSEMBLED BY: M. M. PARSONS DATE: 5/15/03
 CHECKED BY: T. L. AVERETTE DATE: 7/03
 DRAWN BY: CCJ 01/00
 CHECKED BY: RWW 03/00