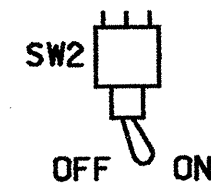


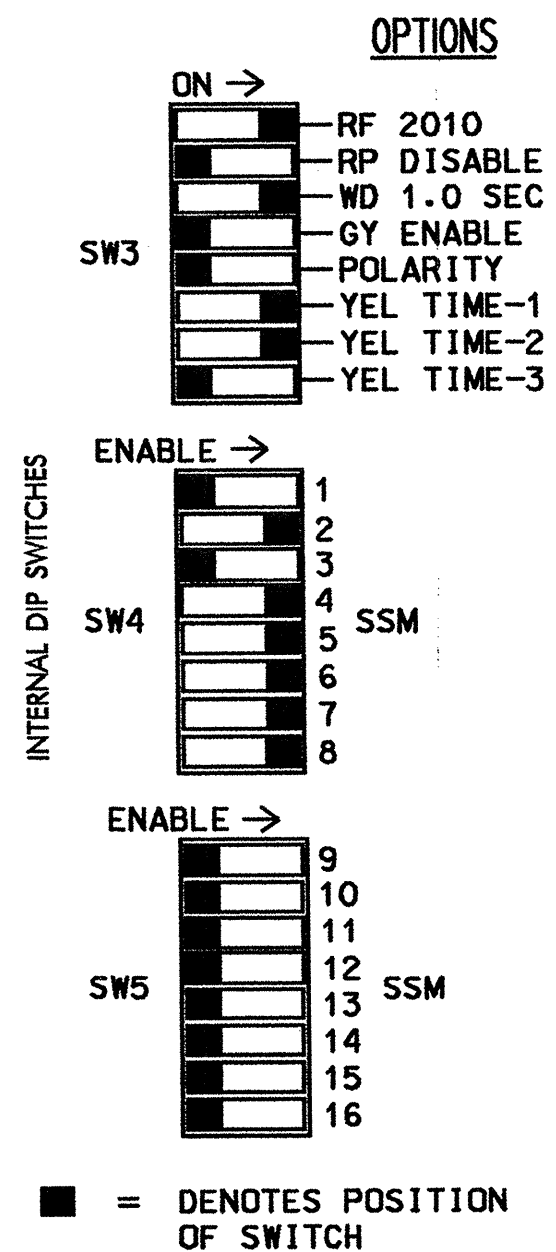
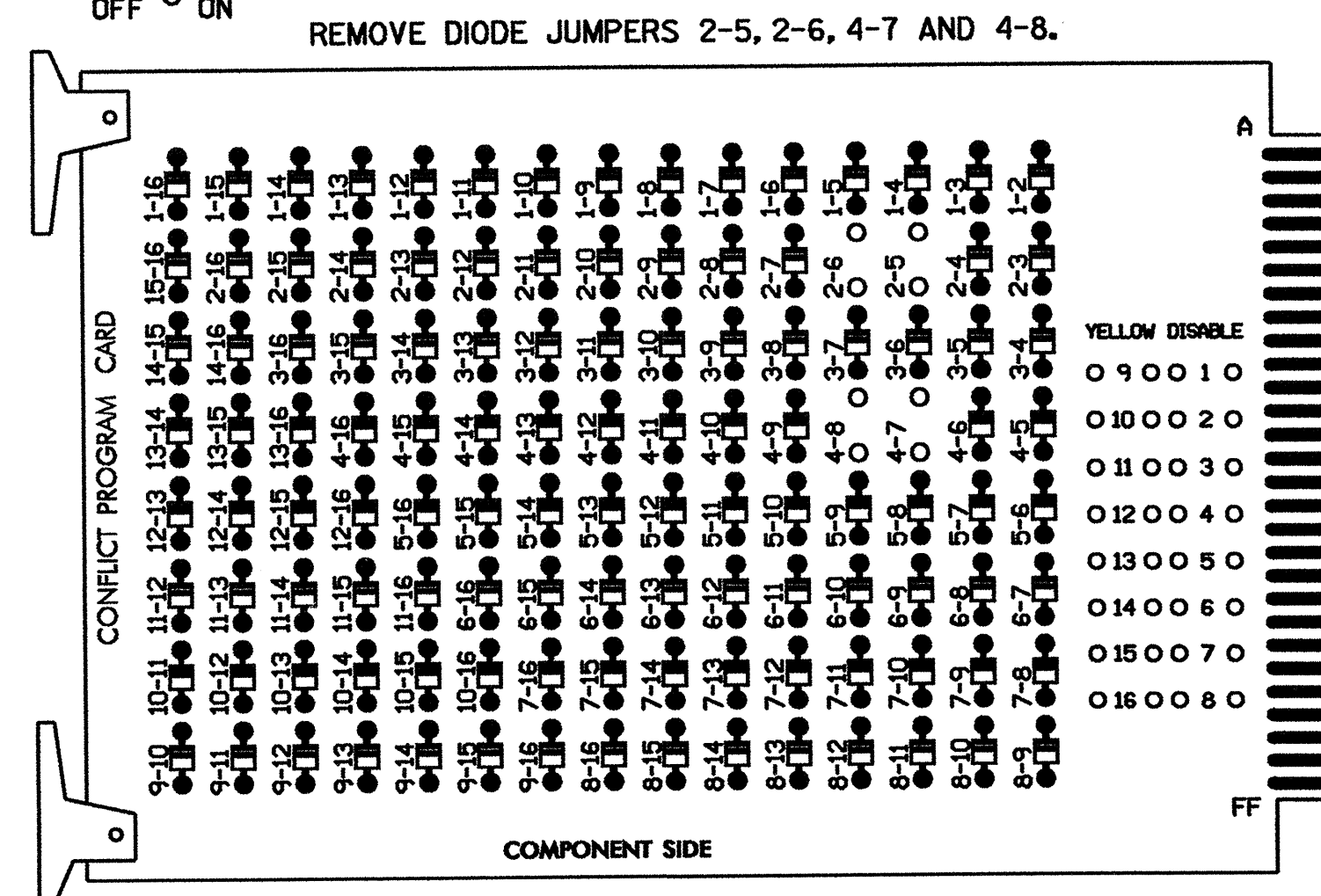
EDI MODEL 2010ECL CONFLICT MONITOR

PROGRAMMING DETAIL

WD ENABLE



(remove jumpers and set switches as shown)



NOTES:

- CARD IS PROVIDED WITH ALL DIODE JUMPERS IN PLACE. REMOVAL OF ANY JUMPER ALLOWS ITS CHANNELS TO RUN CONCURRENTLY.
- MAKE SURE JUMPERS SEL1-SEL5 ARE PRESENT ON THE MONITOR BOARD.

NOTES

- TO PREVENT "FLASH-CONFLICT" PROBLEMS, INSERT RED FLASH PROGRAM BLOCKS FOR ALL UNUSED VEHICLE LOAD SWITCHES IN THE OUTPUT FILE. THE INSTALLER SHALL VERIFY THAT SIGNAL HEADS FLASH IN ACCORDANCE WITH THE SIGNAL PLANS.
- ENSURE THAT RED ENABLE IS ACTIVE AT ALL TIMES DURING NORMAL OPERATION. TO PREVENT RED FAILURES ON UNUSED MONITOR CHANNELS, TIE UNUSED RED MONITOR INPUTS 1,3,9, 10,11,12,13,14,15 & 16 TO LOAD SWITCH AC+ PER THE CABINET MANUFACTURER'S INSTRUCTIONS.
- PROGRAM CONTROLLER TO START UP IN PHASES 2 AND 6 GREEN.
- ENABLE SIMULTANEOUS GAP-OUT FEATURE, ON CONTROLLER UNIT, FOR ALL PHASES.
- PROGRAM PHASES 4 AND 8, ON CONTROLLER UNIT, FOR DUAL ENTRY.

FIELD CONNECTION HOOK-UP CHART

LOAD SWITCH NO.	S1	S2	S2P	S3	S4	S4P	S5	S6	S6P	S7	S8	S8P
PHASE	1	2	2 PED	3	4	4 PED	5	6	6 PED	7	8	8 PED
SIGNAL HEAD NO.	NU	21,22	NU	NU	41,42	NU	21,42	61,62	NU	41,62	81,82	NU
GREEN		130			103			136			109	
YELLOW		129			102			135			108	
RED		128			101		*	134		*	107	
RED ARROW												
YELLOW ARROW							132			123		
GREEN ARROW							133			124		

NU = NOT USED
* DENOTES INSTALL LOAD RESISTOR. SEE LOAD RESISTOR INSTALLATION DETAIL THIS PAGE.

EQUIPMENT INFORMATION

CONTROLLER.....CONTRACTOR SUPPLIED 2070L
CABINETCONTRACTOR SUPPLIED 332
SOFTWAREECONOLITE OASIS
CABINET MOUNT.....BASE
OUTPUT FILE POSITIONS...12
LOAD SWITCHES USED.....S2,S4,S5,S6,S7,S8
PHASES USED.....2,4,5,6,7,8
OVERLAPS.....NONE

BACK-UP PROTECTION PROGRAMMING DETAIL

(program controller as shown below)

- FROM MAIN MENU PRESS '2' (PHASE CONTROL), THEN '1' (PHASE CONTROL FUNCTIONS). SCROLL TO THE BOTTOM OF THE MENU AND ENABLE DYNAMIC/BACKUP CONTROL FUNCTIONS 1 AND 2.
- FROM PHASE CONTROL FUNCTIONS MENU PRESS '2' (DYNAMIC/BACKUP CONTROL FUNCTIONS).

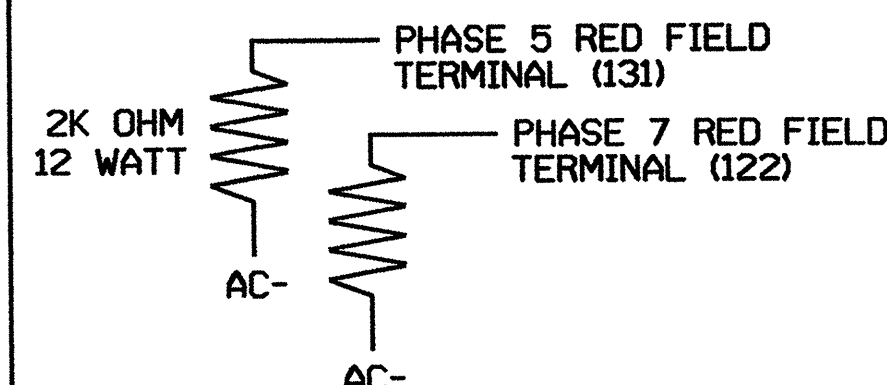
DYNAMIC/BACKUP CONTROL FUNCTION #01
OVERLAPS: ABCDEFGHIJKLMNOP
IF OVERLAPS ARE ACTIVE :
OR PHASES: 12345678910111213141516
IF PHASES ARE ON: X
OMIT PHASES : X
CALL PHASES : X

PRESS 'NEXT'

DYNAMIC/BACKUP CONTROL FUNCTION #02
OVERLAPS: ABCDEFGHIJKLMNOP
IF OVERLAPS ARE ACTIVE :
OR PHASES: 12345678910111213141516
IF PHASES ARE ON: X
OMIT PHASES : X
CALL PHASES : X

BACKUP PROTECTION PROGRAMMING COMPLETE

LOAD RESISTOR INSTALLATION DETAIL



NOTE: THE PURPOSE OF THESE RESISTORS IS TO LOAD THE CHANNEL RED MONITOR INPUTS IN ORDER FOR THE SIGNAL SEQUENCE MONITOR TO USE THE FULL SIGNAL SEQUENCE MONITORING CAPABILITY ON CHANNELS THAT DO NOT USE THE RED DISPLAY IN THE FIELD.

SPECIAL DETECTOR NOTE

INSTALL A LOOP EMULATOR DETECTION SYSTEM FOR VEHICLE DETECTION. PERFORM INSTALLATION ACCORDING TO MANUFACTURER'S DIRECTIONS AND NCDOT ENGINEER-APPROVED MOUNTING LOCATIONS TO ACCOMPLISH THE DETECTION SCHEMES SHOWN ON THE SIGNAL DESIGN PLANS.

THIS ELECTRICAL DETAIL IS FOR THE SIGNAL DESIGN: 09-0411T
DESIGNED: JUNE 2003
SEALED: 07/22/03
REVISED:

SIGNAL UPGRADE - TEMPORARY DESIGN

ELECTRICAL AND PROGRAMMING DETAILS FOR: SR 1243 (WEST CENTER STREET) AT SR 1242 (WEST CENTER STREET EXTENSION) / AND BURLER STREET LEXINGTON

DIVISION 09 DAVIDSON COUNTY

PLAN DATE: JUNE 2003 REVIEWED BY: R. Kishar

PREPARED BY: JAMES PETERSON REVIEWED BY:

REVISIONS INIT. DATE

222 N. McDowell St., Raleigh, NC 27603

SEAL NORTH CAROLINA PROFESSIONAL ENGINEER SEAL 022013 GEORGE C. BROWN

SIG. INVENTORY NO. 09-0411 T