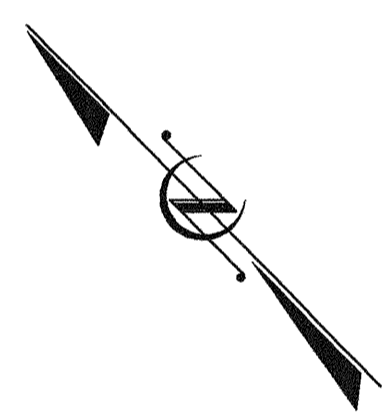
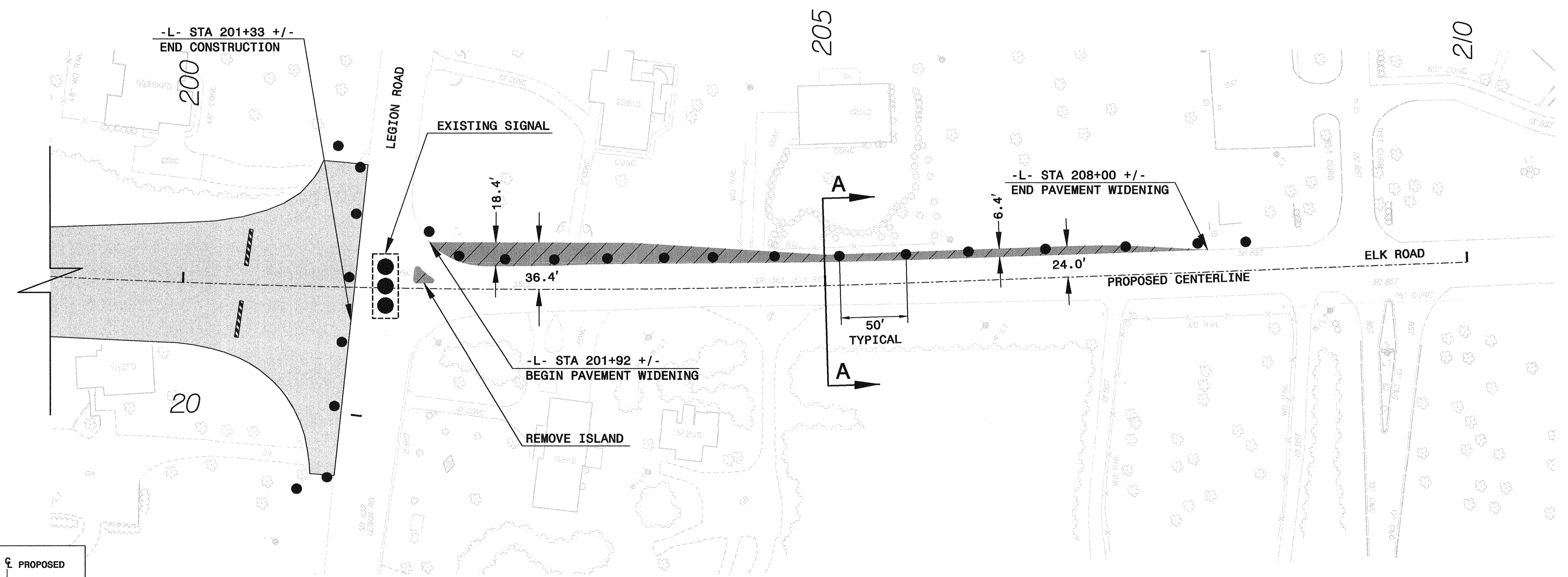
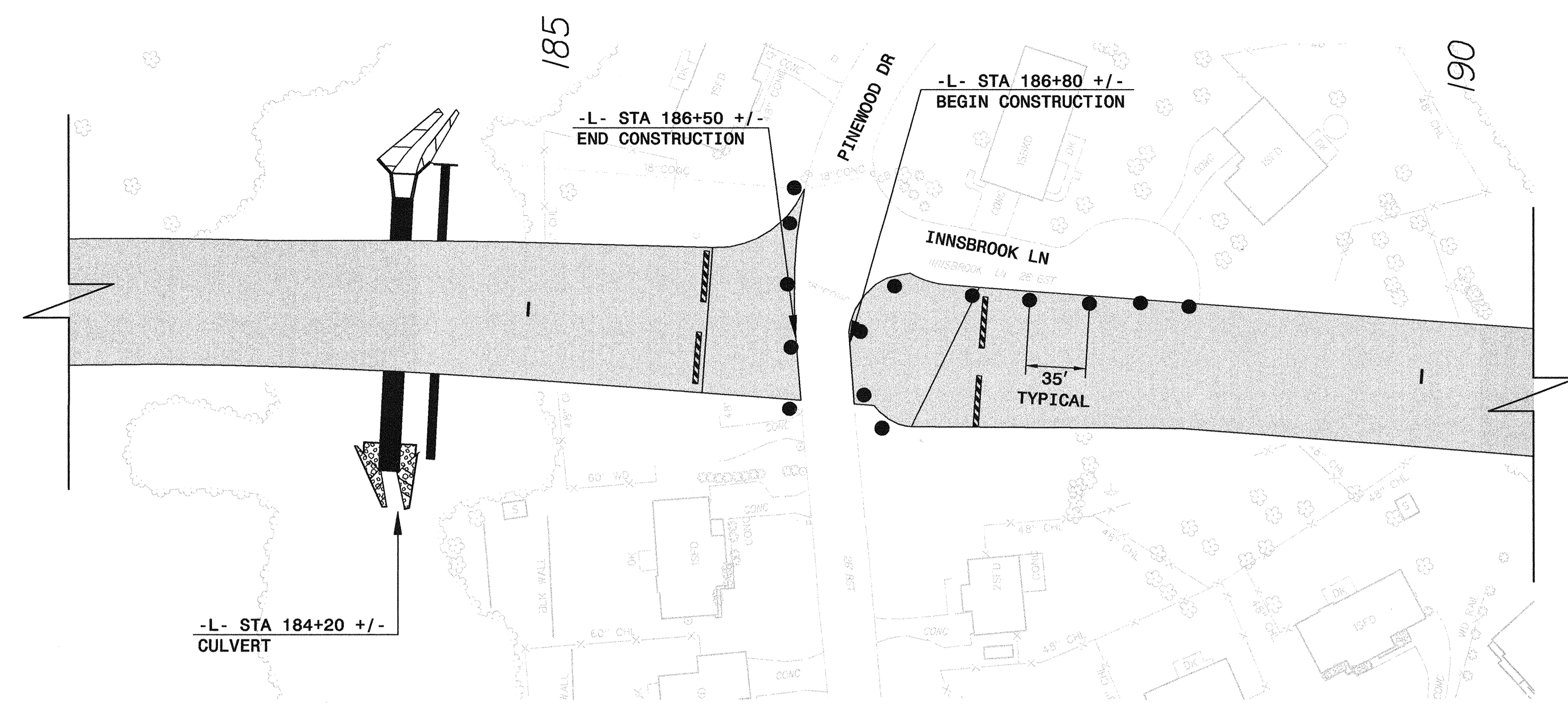
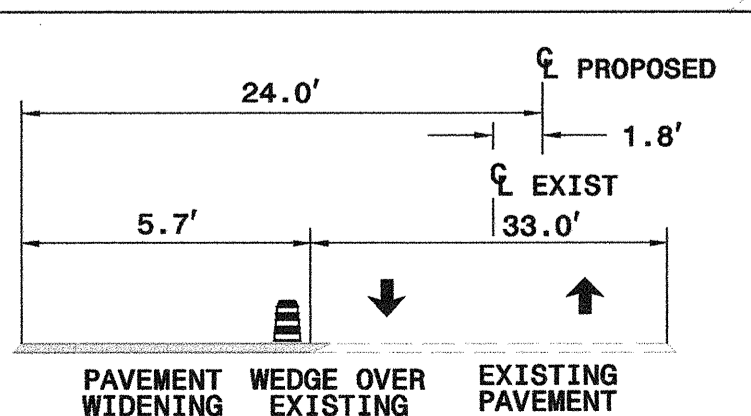


SEE ROADWAY DESIGN PLANS
FOR DETAILS ON CULVERT
PLANSHEET 17



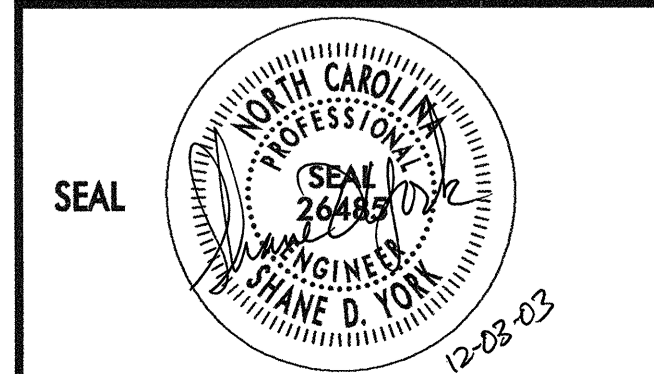
 NEW PAVEMENT

 PAVEMENT WIDENING



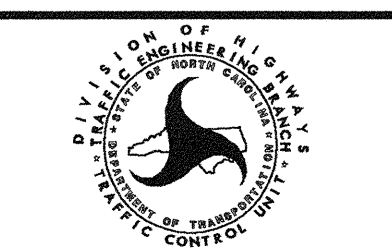
SECTION A-A
-L- STA 205+00 +/-

APPROVED: SHANE D. YORK, PE DATE: 12/03/03



**PHASE ONE
DETAIL SIX**

SCALE: N.A.
DATE: 12/03/03
DWG. BY: S. YORK
DESIGN BY: S. YORK
REVIEWED BY: A.D. SARVIS



REVISIONS	

02:57:37 PM 12/03/2003 r:\TrafficControl\TCP\U0620_TCP_TCP10_PSH.DGN