

SEE SHEET 25 FOR -L- PROFILE
 SEE SHEET 33 FOR -Y1- PROFILE
 SEE SHEET 33 FOR -Y2- PROFILE
 SEE SHEET 33 FOR -DET2- PROFILE
 SEE SHEET 37 FOR -SERVI- PROFILE

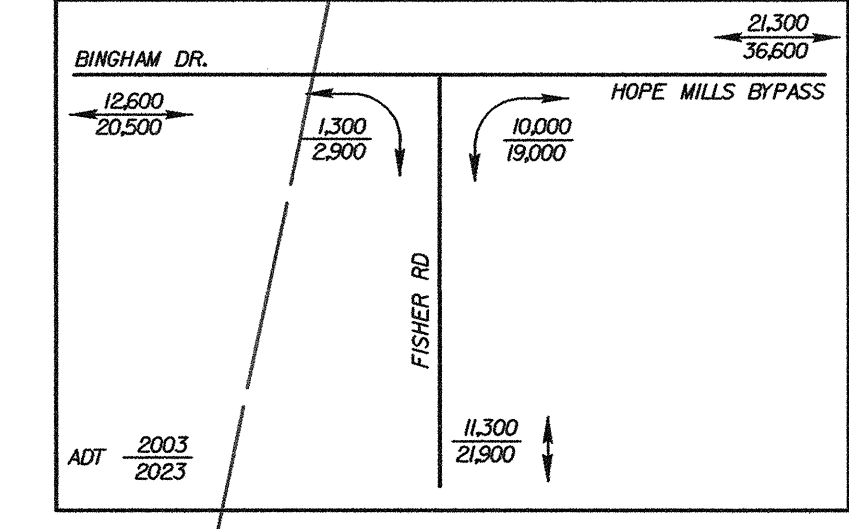
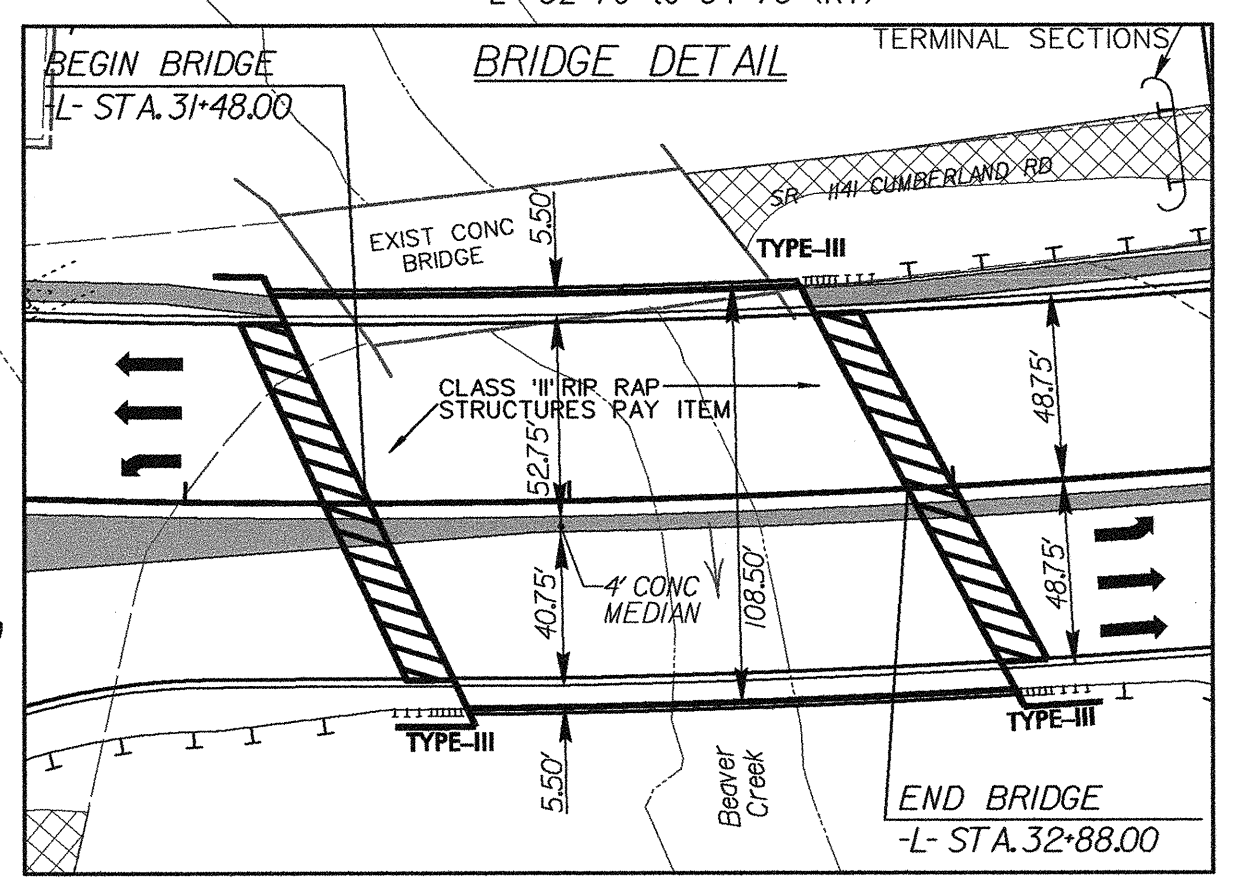
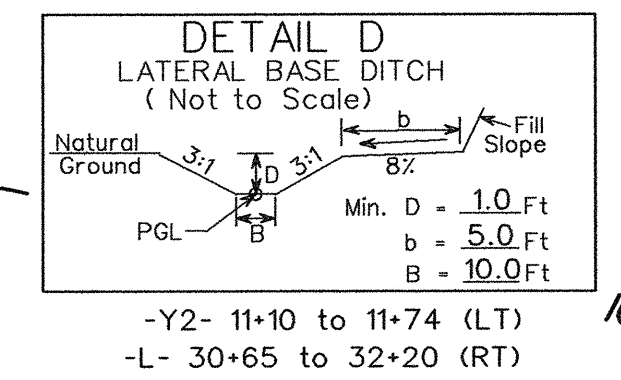
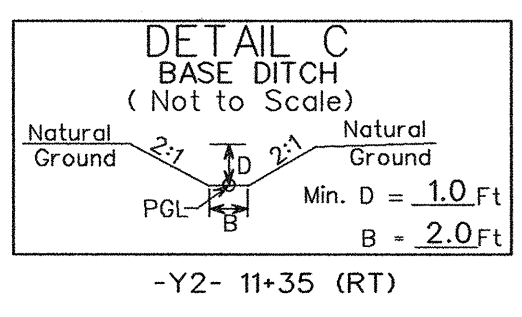
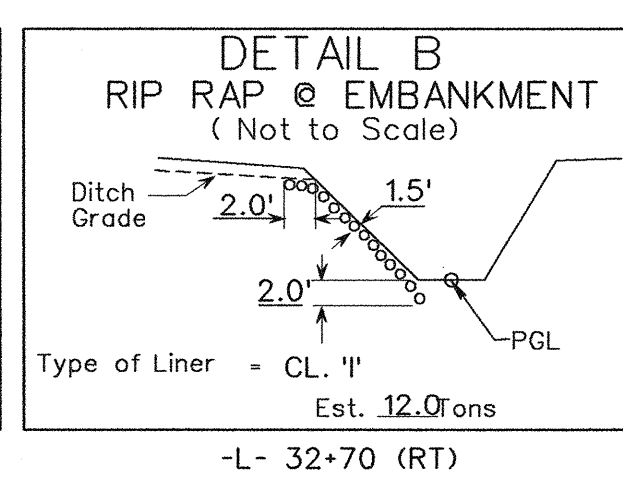
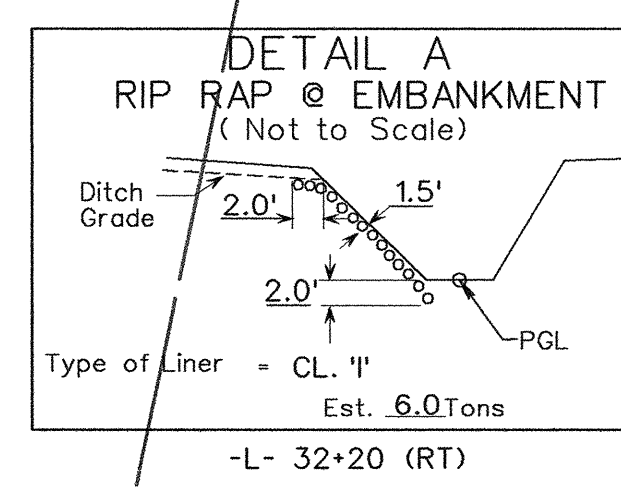
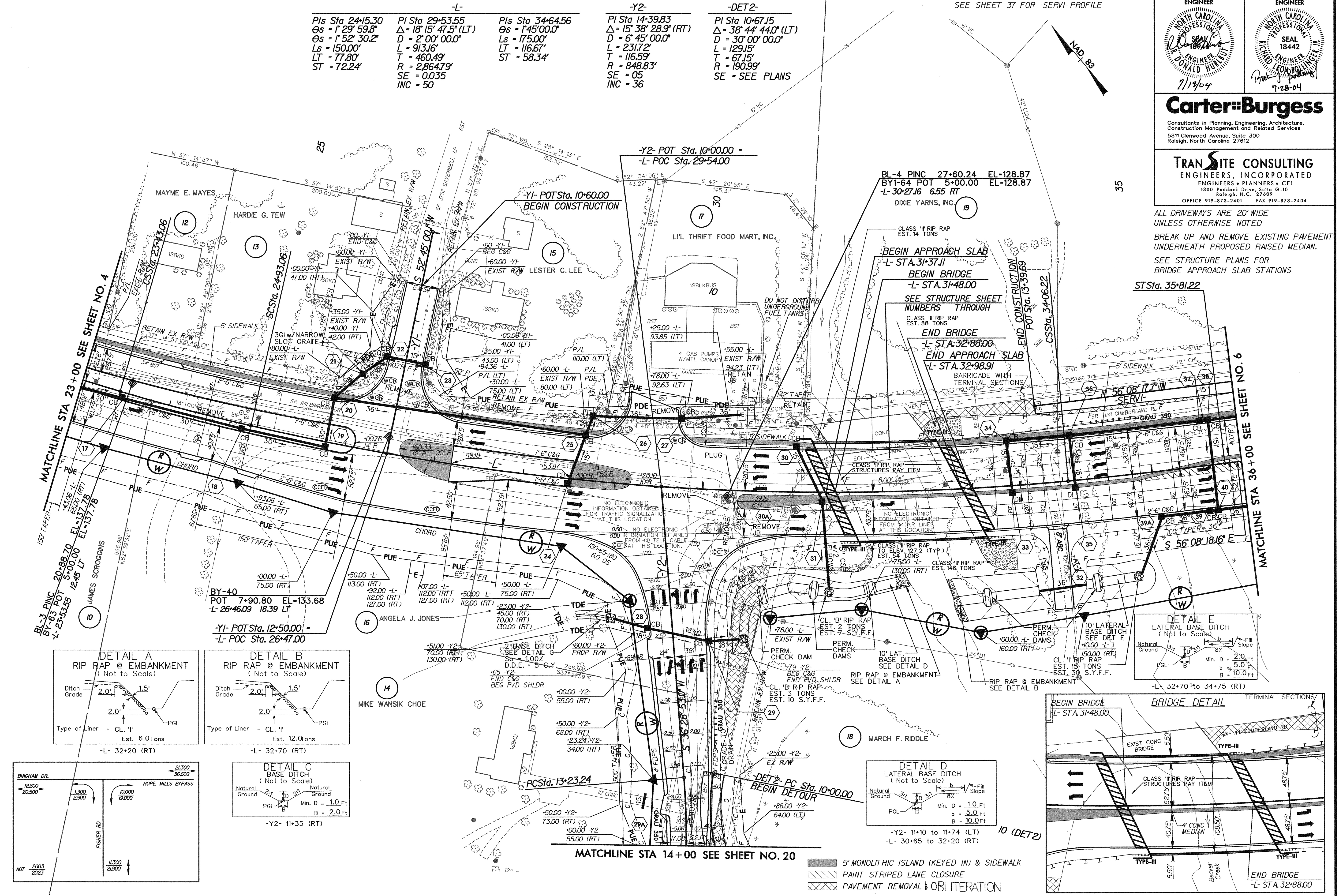
PROJECT REFERENCE NO. U-0620	SHEET NO. 5
RW SHEET NO.	
ROADWAY DESIGN ENGINEER NORTH CAROLINA PROFESSIONAL SEAL 18422 DONALD HURLBUR 7/19/04	HYDRAULICS ENGINEER NORTH CAROLINA PROFESSIONAL SEAL 18442 THOMAS LEON BOWLING 7-28-04

Carter-Burgess
 Consultants in Planning, Engineering, Architecture, Construction Management and Related Services
 5811 Glenwood Avenue, Suite 300
 Raleigh, North Carolina 27612

TRANSITE CONSULTING
 ENGINEERS, INCORPORATED
 ENGINEERS • PLANNERS • CEI
 1300 Paddock Drive, Suite G-10
 Raleigh, N.C. 27609
 OFFICE 919-873-2401 FAX 919-873-2404

ALL DRIVEWAYS ARE 20' WIDE UNLESS OTHERWISE NOTED
 BREAK UP AND REMOVE EXISTING PAVEMENT UNDERNEATH PROPOSED RAISED MEDIAN.
 SEE STRUCTURE PLANS FOR BRIDGE APPROACH SLAB STATIONS

-L-	-Y2-	-DET2-
Pls Sta 24+5.30	Pls Sta 14+39.83	Pls Sta 10+67.15
Øs = 1' 29" 59.8"	Δ = 15' 38" 28.9" (RT)	Δ = 38' 44" 44.0" (LT)
Øs = 1' 52" 30.2"	D = 6' 45" 00.0"	D = 30' 00" 00.0"
Ls = 150.00'	L = 231.72'	L = 129.15'
LT = 77.80'	T = 116.59'	T = 67.15'
ST = 72.24'	R = 848.83'	R = 190.99'
	SE = 0.035	SE = SEE PLANS
	INC = 50	INC = 36



7/2/09

11:41:33 AM
 C:\proj\0620_rdy.pst\05.dgn
 AUT 2003 2023