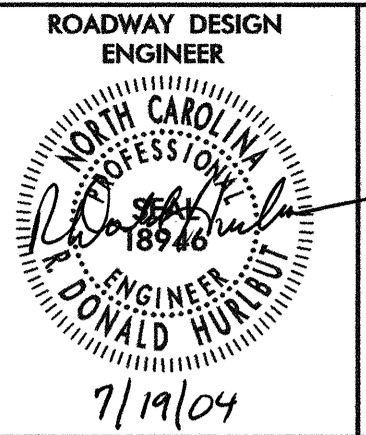
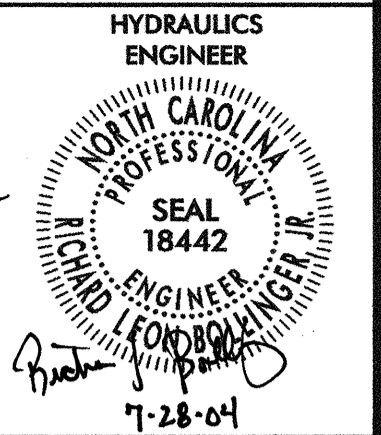


SEE SHEET 28 FOR -L- PROFILE
SEE SHEET 36 FOR -YII- PROFILE

PROJECT REFERENCE NO. U-0620 SHEET NO. 11

RW SHEET NO.

ROADWAY DESIGN ENGINEER

 7/19/04

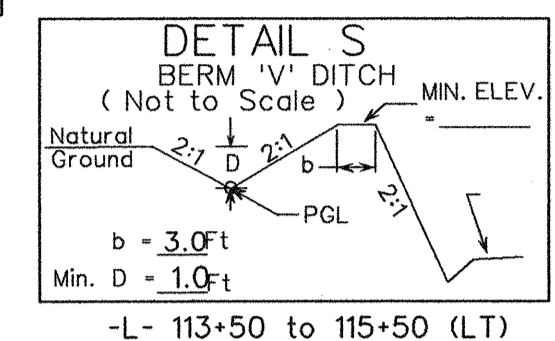
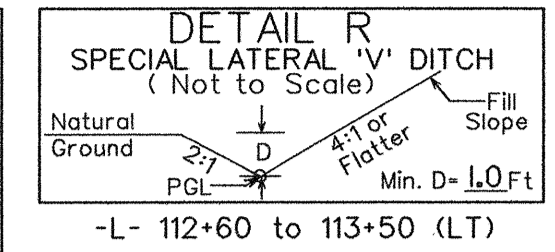
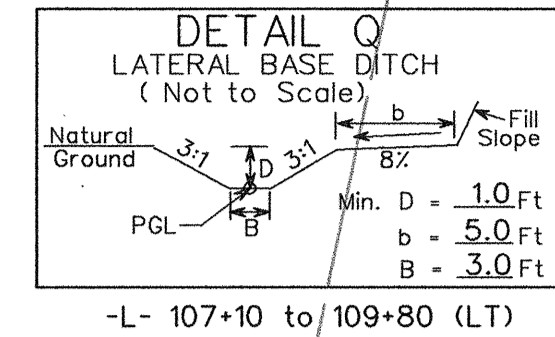
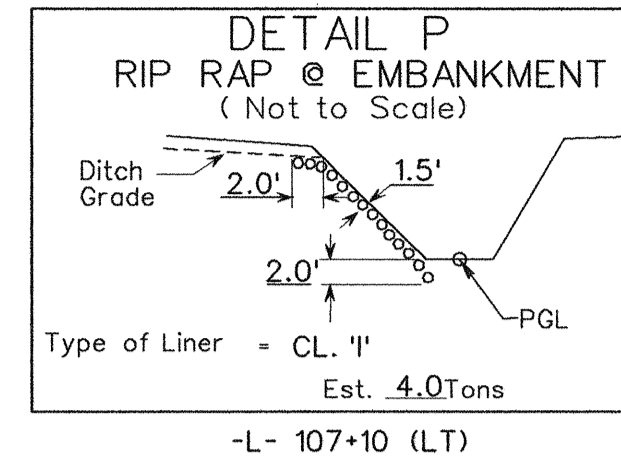
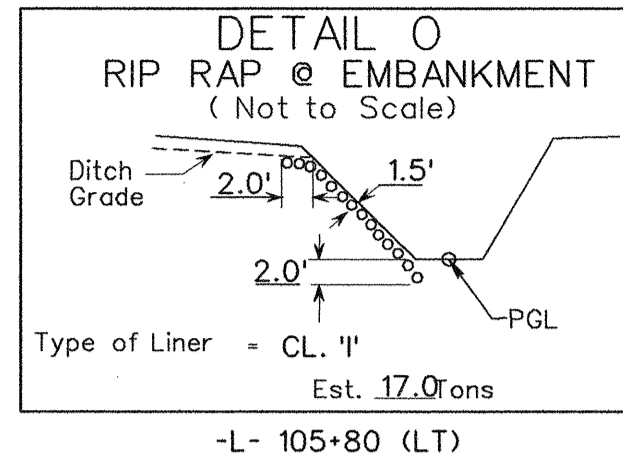
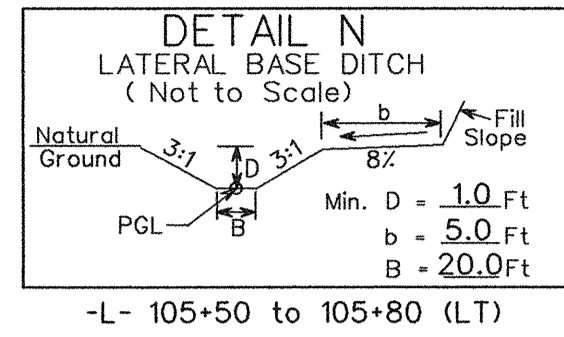
HYDRAULICS ENGINEER

 7-28-04

Carter-Burgess

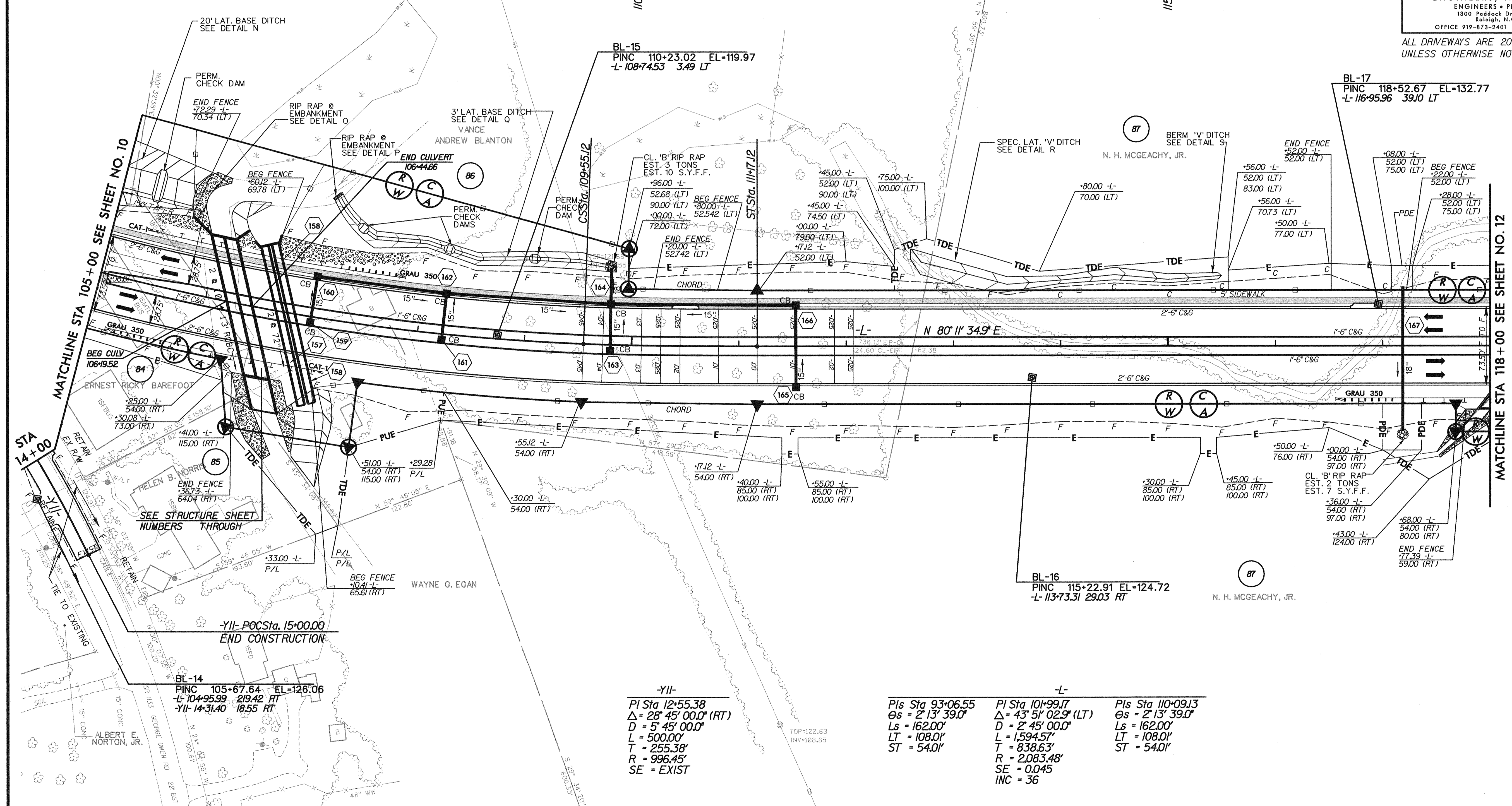
Consultants in Planning, Engineering, Architecture, Construction Management and Related Services
5811 Glenwood Avenue, Suite 300
Raleigh, North Carolina 27612

TRANSITE CONSULTING
ENGINEERS, INCORPORATED
ENGINEERS • PLANNERS • CEI
1300 Paddock Drive, Suite G-10
Raleigh, N.C. 27609
OFFICE 919-873-2401 FAX 919-873-2404

ALL DRIVEWAYS ARE 20' WIDE
UNLESS OTHERWISE NOTED



7/2/99



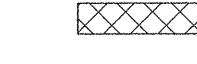


-YII-
PI Sta 12+55.38
Δ = 28° 45' 00.0" (RT)
D = 5' 45' 00.0"
L = 500.00'
T = 255.38'
R = 996.45'
SE = EXIST

-L-
PI Sta 93+06.55
Δ = 2° 13' 39.0"
Ls = 162.00'
LT = 108.01'
ST = 54.01'

-L-
PI Sta 101+99.17
Δ = 43° 51' 02.9" (LT)
D = 2' 45" 00.0"
L = 1594.57'
T = 838.63'
R = 2,083.48'
SE = 0.045
INC = 36

-L-
PI Sta 110+09.13
Δ = 2° 13' 39.0"
Ls = 162.00'
LT = 108.01'
ST = 54.01'

-  5' MONOLITHIC ISLAND (KEYED IN) & SIDEWALK
-  PAINT STRIPED LANE CLOSURE
-  PAVEMENT REMOVAL & OBLITERATION

1:32:03 AM pro\j0620-rdy-psh.11.dgn
07/17/2004