

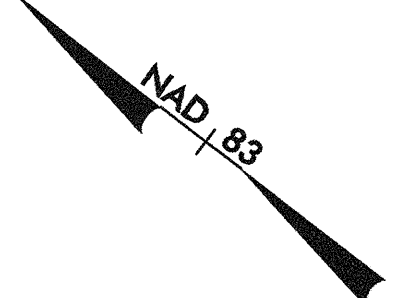
7/12/09

185

190

PROJECT REFERENCE NO. U-0620		SHEET NO. 2-H	
RW SHEET NO.			
ROADWAY DESIGN ENGINEER		HYDRAULICS ENGINEER	
Carter-Burgess Consultants in Planning, Engineering, Architecture, Construction Management and Related Services 5811 Glenwood Avenue, Suite 300 Raleigh, North Carolina 27612			
TRANSITE CONSULTING ENGINEERS, INCORPORATED ENGINEERS • PLANNERS • CEI 1300 Paddock Drive, Suite G-10 Raleigh, N.C. 27609 OFFICE 919-873-2401 FAX 919-873-2404			

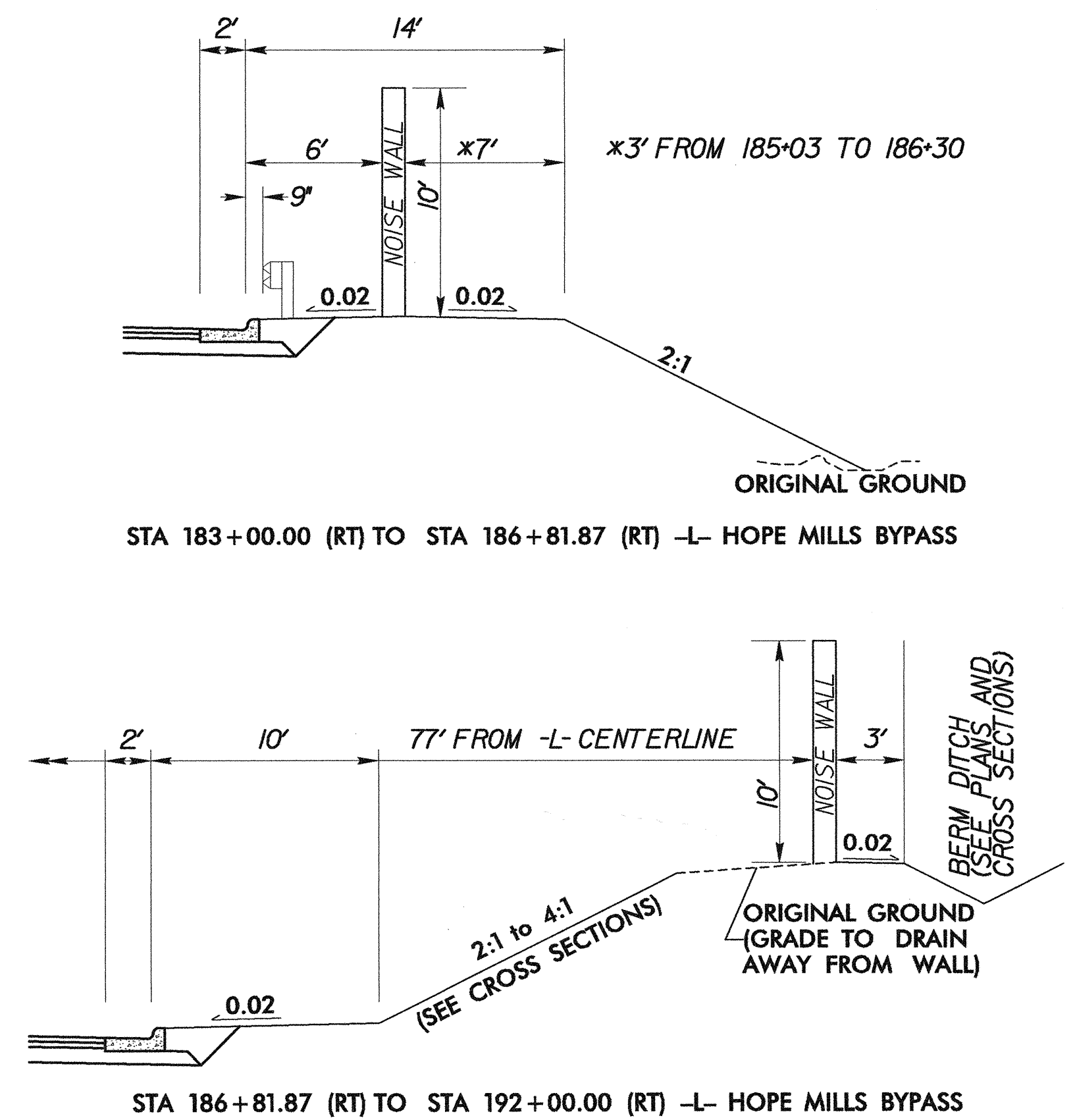
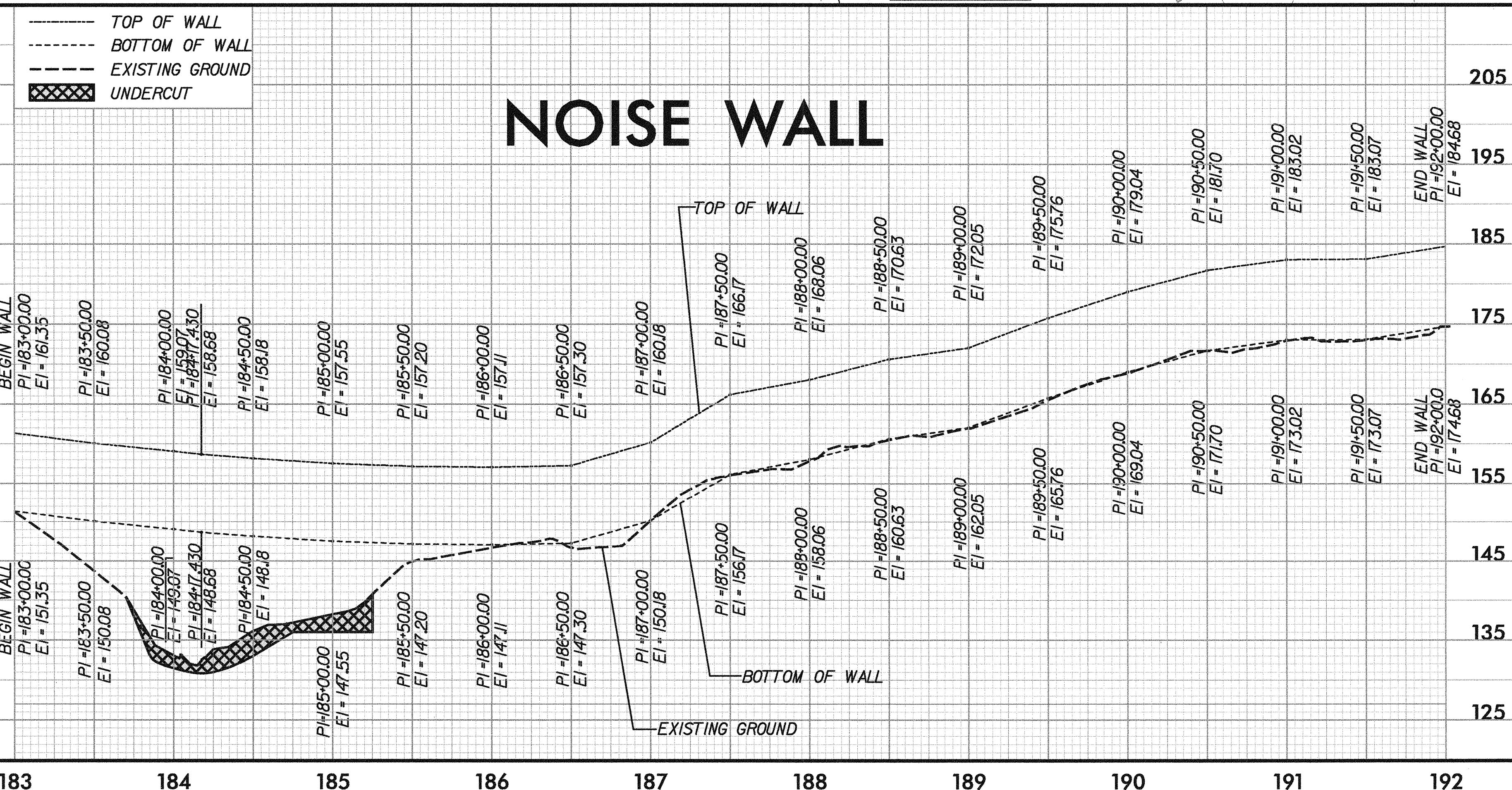
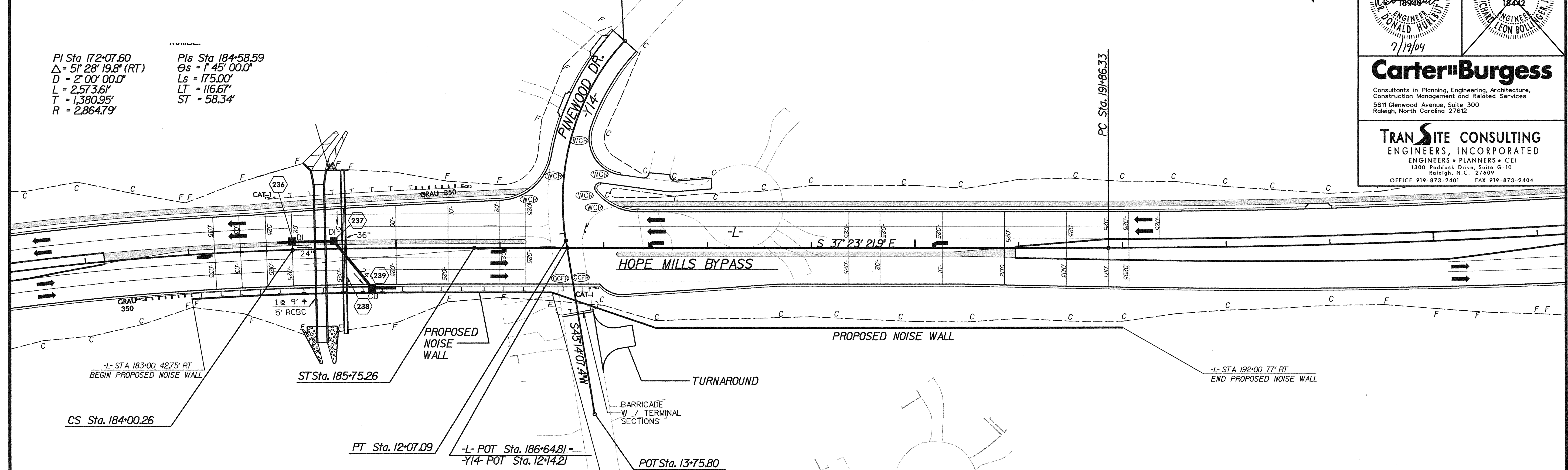
PI Sta 198+78.96
 $\Delta = 10^\circ 21' 40.1''$ (LT)
 $D = 0^\circ 45' 00.0''$
 $L = 1,381.49'$
 $T = 692.63'$
 $R = 7,639.44'$



PI Sta 172+07.60
 $\Delta = 5^\circ 28' 19.8''$ (RT)
 $D = 2^\circ 00' 00.0''$
 $L = 2,573.61'$
 $T = 1,380.95'$
 $R = 2,864.79'$

PIs Sta 184+58.59
 $\Theta_s = 1^\circ 45' 00.0''$
 $L_s = 175.00'$
 $LT = 116.67'$
 $ST = 58.34'$

-Y14- PC Sta. 10+00.00
 BEGIN CONSTRUCTION



03:02:10 PM
 r:\projects\0620\proj\dwg\0620_rdy_dtl.dgn
 7/15/2009