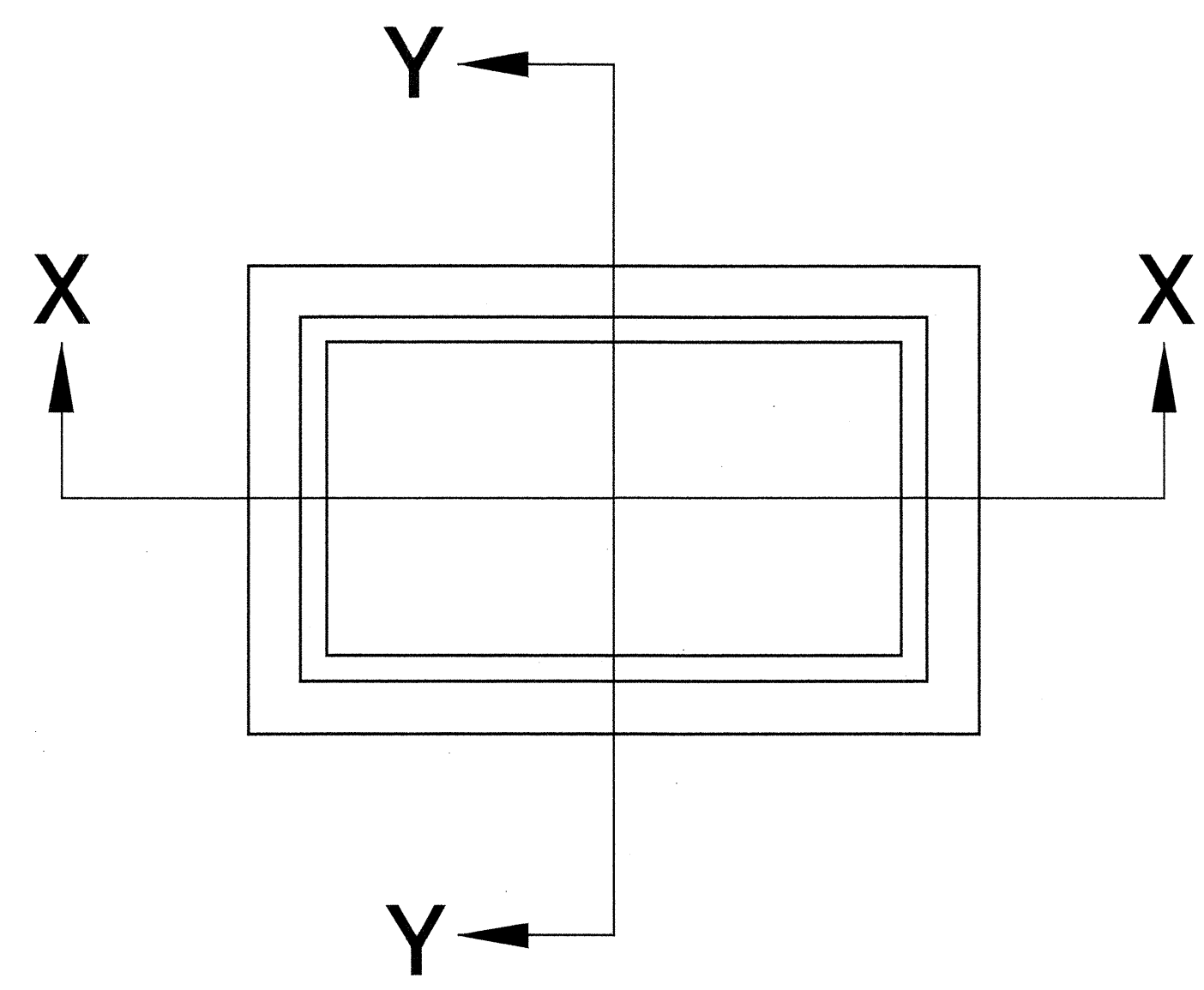
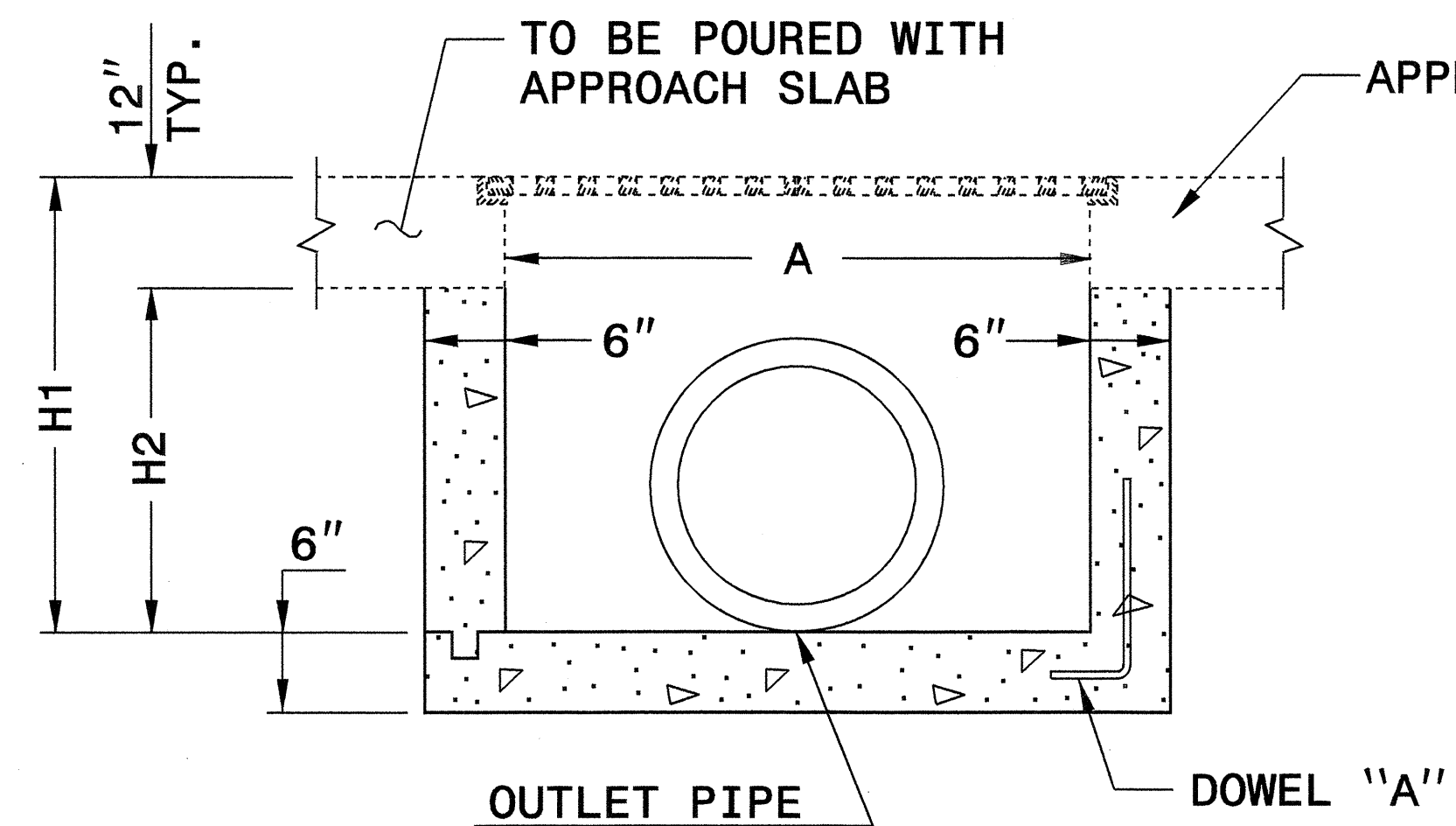


GENERAL NOTES:

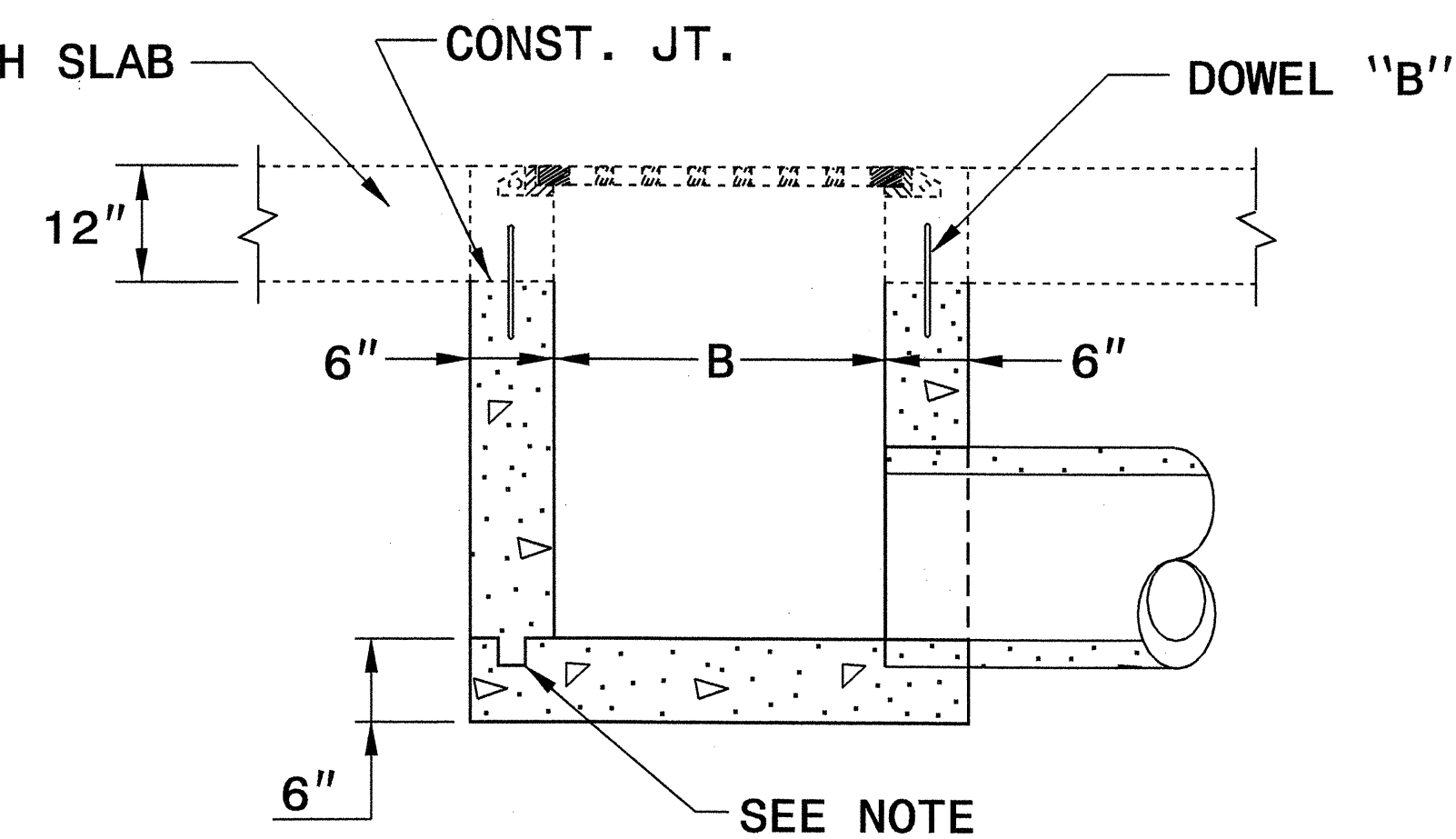
- USE CLASS "B" CONCRETE THROUGHOUT.
- PROVIDE ALL DROP INLETS OVER 3'-6" IN DEPTH WITH STEPS 12" ON CENTER. USE STEPS WHICH COMPLY WITH STD. DRAWING 840.66.
- OPTIONAL CONSTRUCTION - MONOLITHIC POUR, 2" KEYWAY, OR #4 BAR DOWELS AT 12" CENTERS AS DIRECTED BY THE ENGINEER.
- USE FORMS FOR THE CONSTRUCTION OF THE BOTTOM SLAB.
- IF REINFORCED CONCRETE PIPE IS SET IN BOTTOM SLAB OF BOX, ADD TO SLAB AS SHOWN ON STD. NO. 840.00.
- #4 BAR DOWELS "B" AT 12" CENTERS.
- MAX. DEPTH OF THIS STRUCTURE FROM TOP OF BOTTOM SLAB TO TOP ELEVATION IS 12 FEET.
- FOR LOCATIONS OF DROP INLET, SEE BRIDGE APPROACH SLABS IN THE STRUCTURE PLANS.
- CONSTRUCT WITH PIPE CROWNS MATCHING.
- DRAWING NOT TO SCALE.



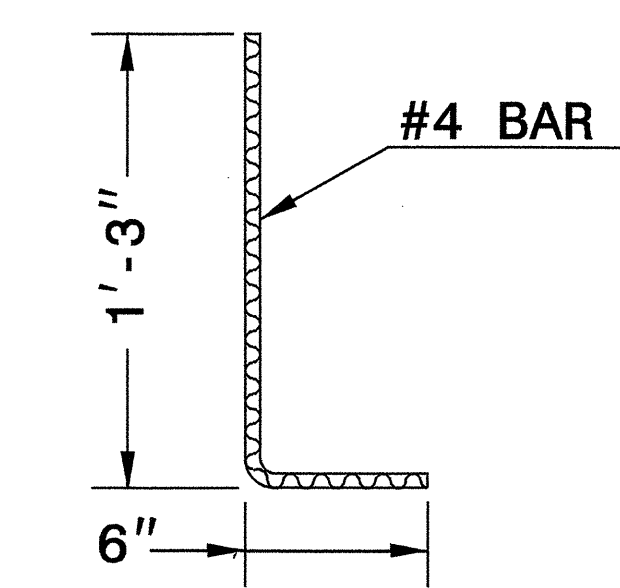
PLAN



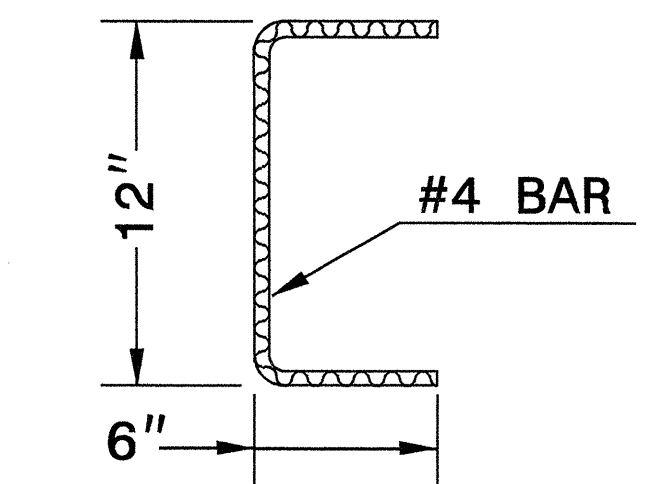
SECTION X-X



SECTION Y-Y



DOWEL "A"



DOWEL "B"

MINIMUM DIMENSIONS AND QUANTITIES FOR CONCRETE DROP INLET										
PIPE	SPAN	WIDTH	HEIGHT	HEIGHT	CUBIC YARDS OF CONCRETE IN BOX				DEDUCTIONS FOR ONE PIPE	
					BOTTOM SLAB	H PER FT. HT.	H MIN. TOTAL	TOTAL	C.S.	R.C.
12"	3'-8"	2'-0"	2'-6"	1'-6"	0.259	0.247	0.597	0.856	0.020	0.032
15"	3'-8"	2'-0"	2'-9"	1'-9"	0.259	0.247	0.659	0.918	0.023	0.036
18"	3'-8"	2'-0"	3'-0"	2'-0"	0.259	0.247	0.720	0.979	0.033	0.049
24"	3'-8"	2'-0"	3'-6"	2'-6"	0.259	0.247	0.865	1.124	0.059	0.085



DESIGN SERVICES UNIT
STANDARDS AND SPECIAL DESIGN
Office 919-250-4128 FAX 919-250-4119

DETAIL FOR CONCRETE BRIDGE APPROACH DROP INLET

ORIGINAL BY: T. Spell DATE: 04-07-04
 MODIFIED BY: DATE:
 CHECKED BY: C. B. Berry DATE: 4-13-04
 FILE SPEC.: stds/02stdstdetails/english/840d13.dgn

12-APR-2004 15:24
 C:\OS-FS01\Centric\stds\02\stds to Special Details\english\840d13\840d13.dgn
 .rspe11 AT 05:20:3655