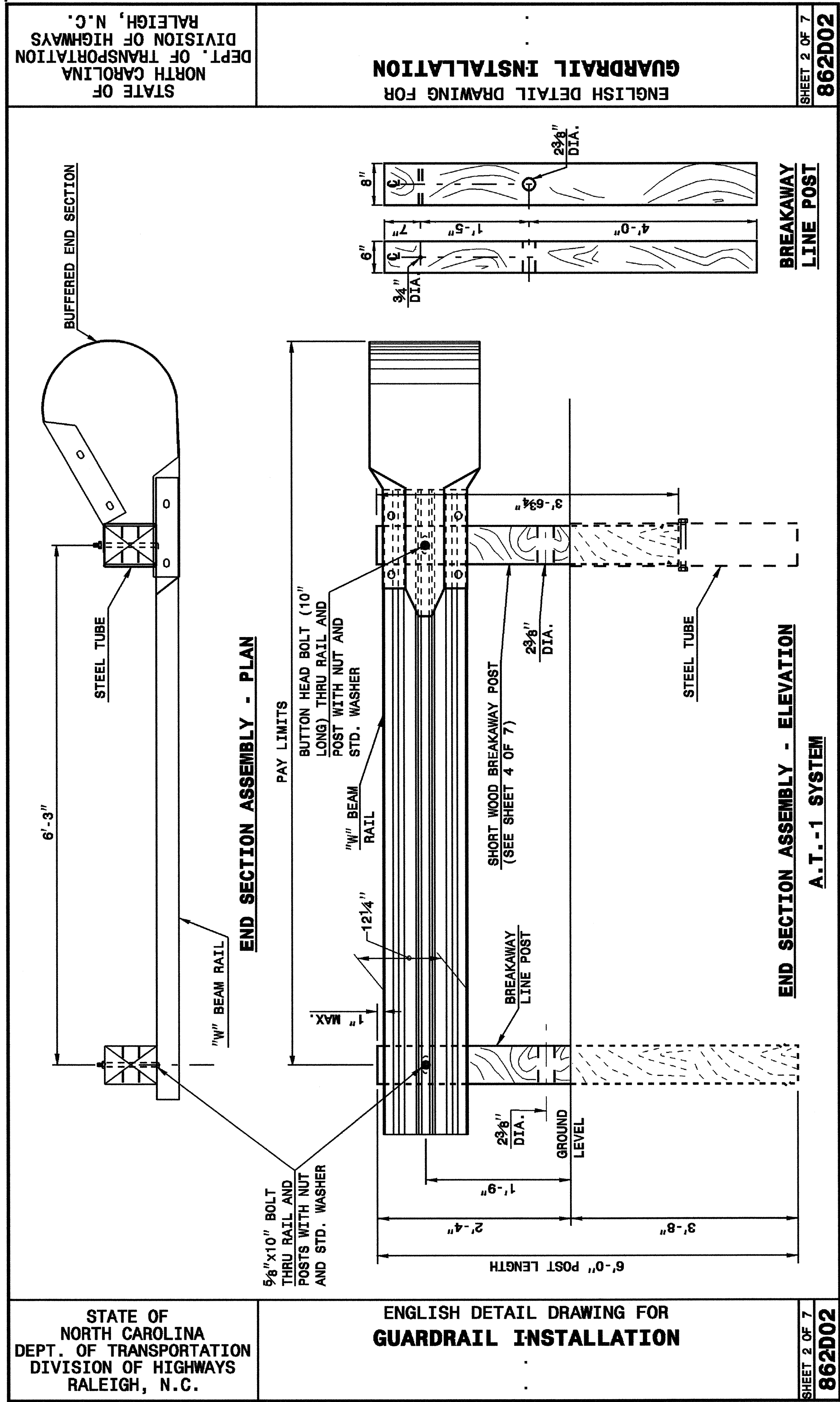
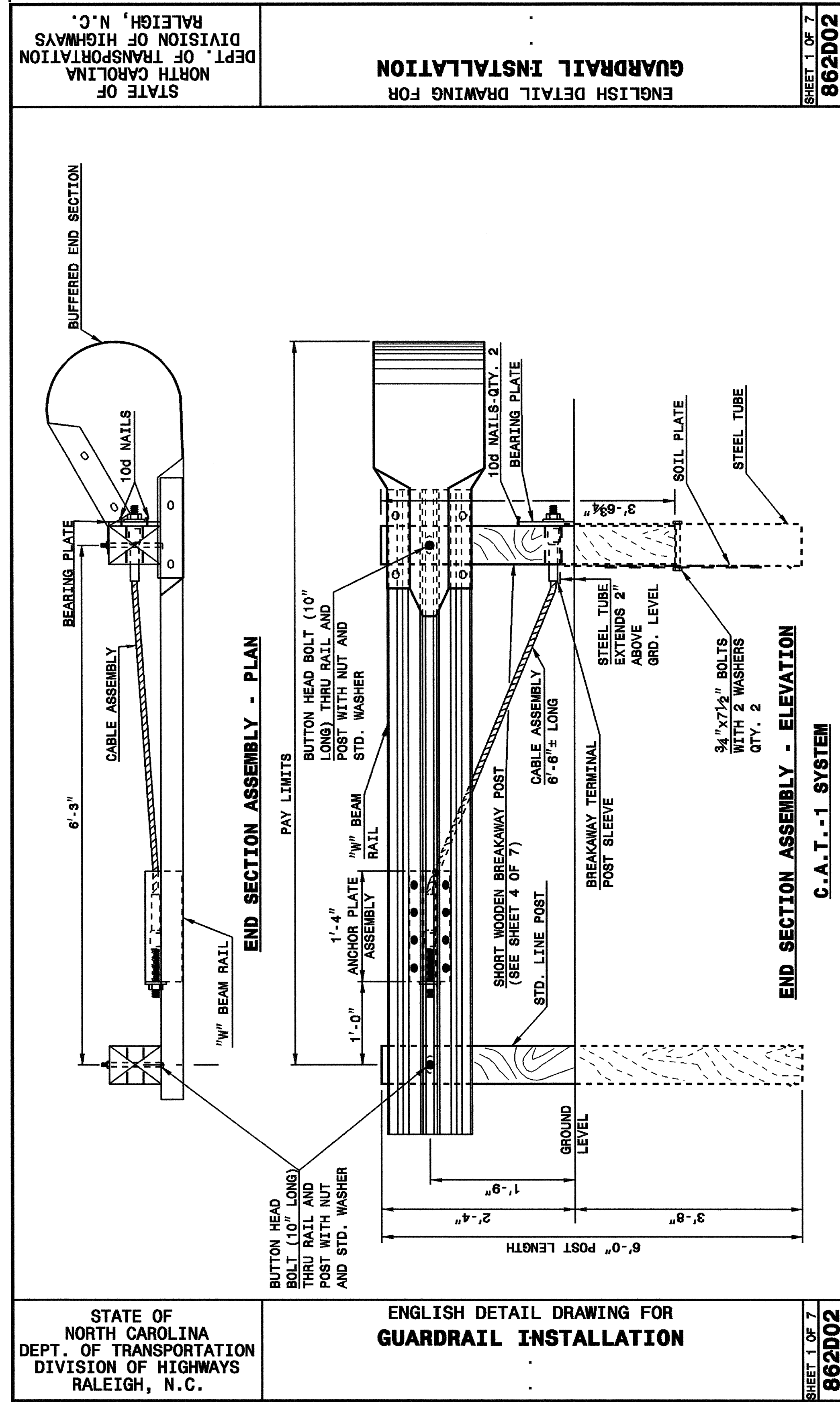


22-MAY-2003 13:33
 W:\Special_Details\22569\stds\stds\02\stds to Special_Details\english\86202\0862d02.dgn
 ar12ward

5/14/99

PROJECT REFERENCE NO.	SHEET NO.
U-0620	2-0



DESIGN SERVICES UNIT
 STANDARDS AND SPECIAL DESIGN
 Office 919-250-4128 FAX 919-250-4119

SEE PLATE FOR TITLE

ORIGINAL BY: 2002 STD. 862.02 DATE:
 MODIFIED BY: E.E. WARD DATE: 02-09-03
 CHECKED BY: *[Signature]* DATE: 6/04
 FILE SPEC.: r:\stds\02\stds\stds\02\stds to Special_Details\english\86202\862d02.dgn