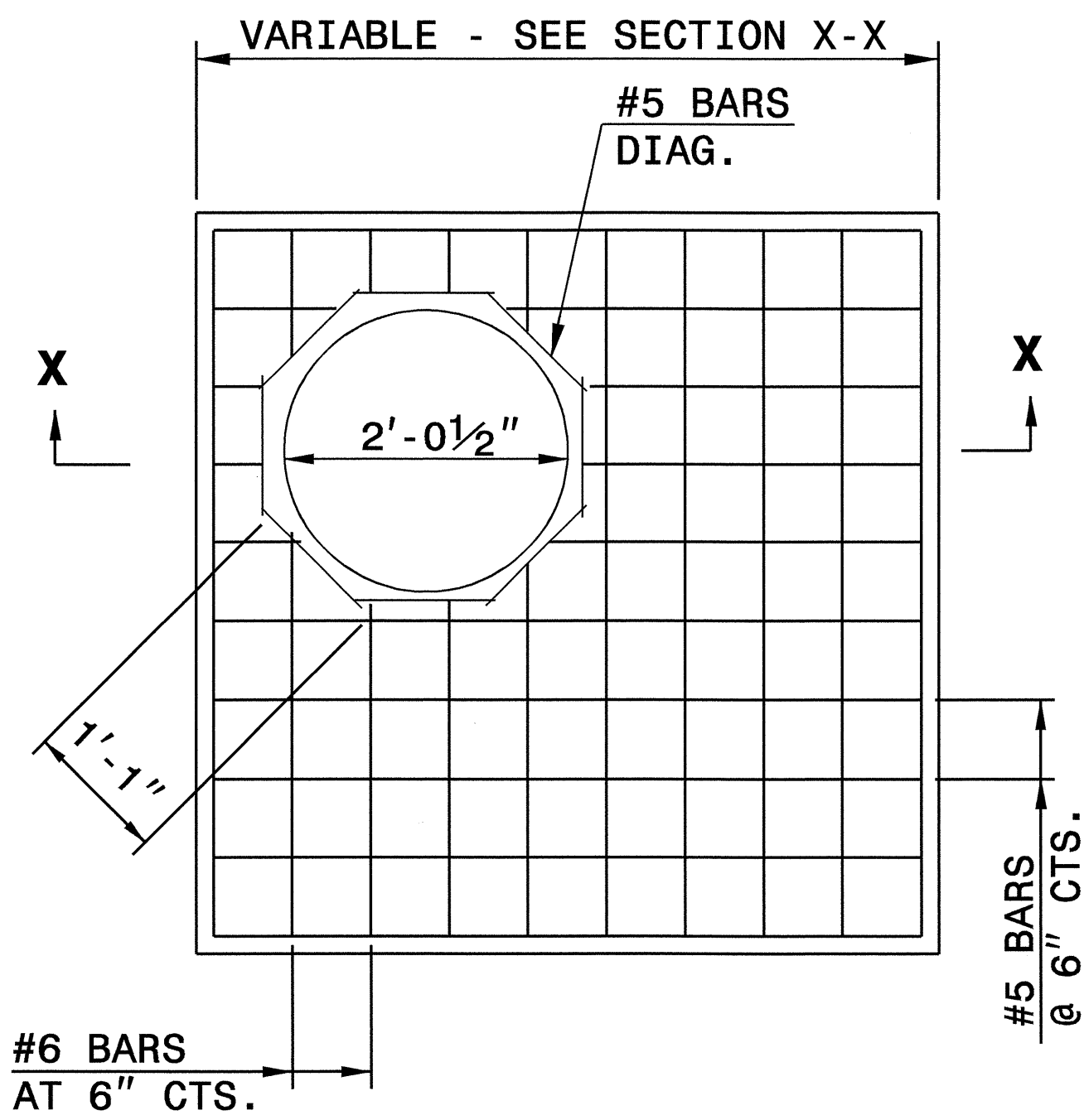
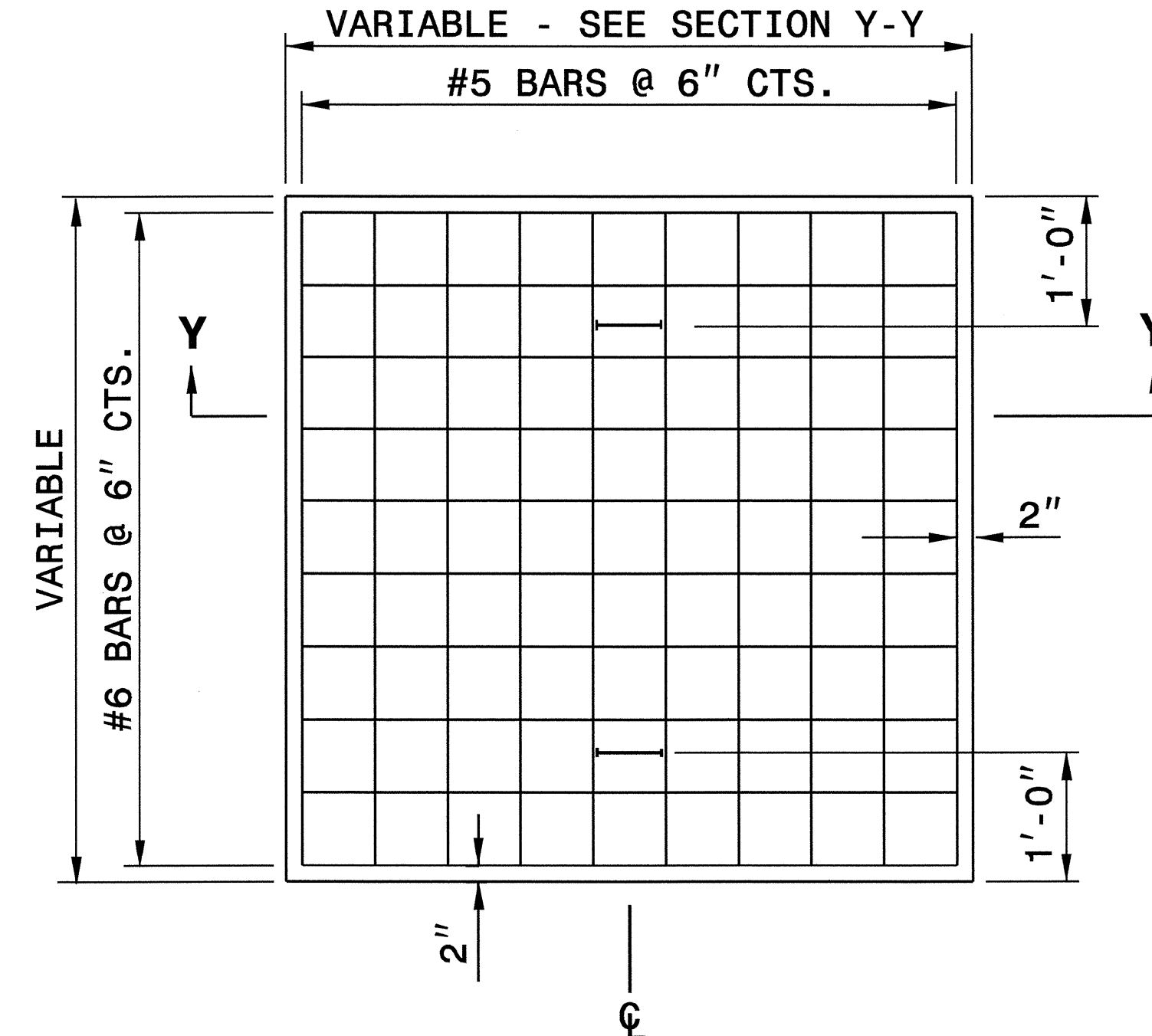


PARTIAL SECTION



PLAN

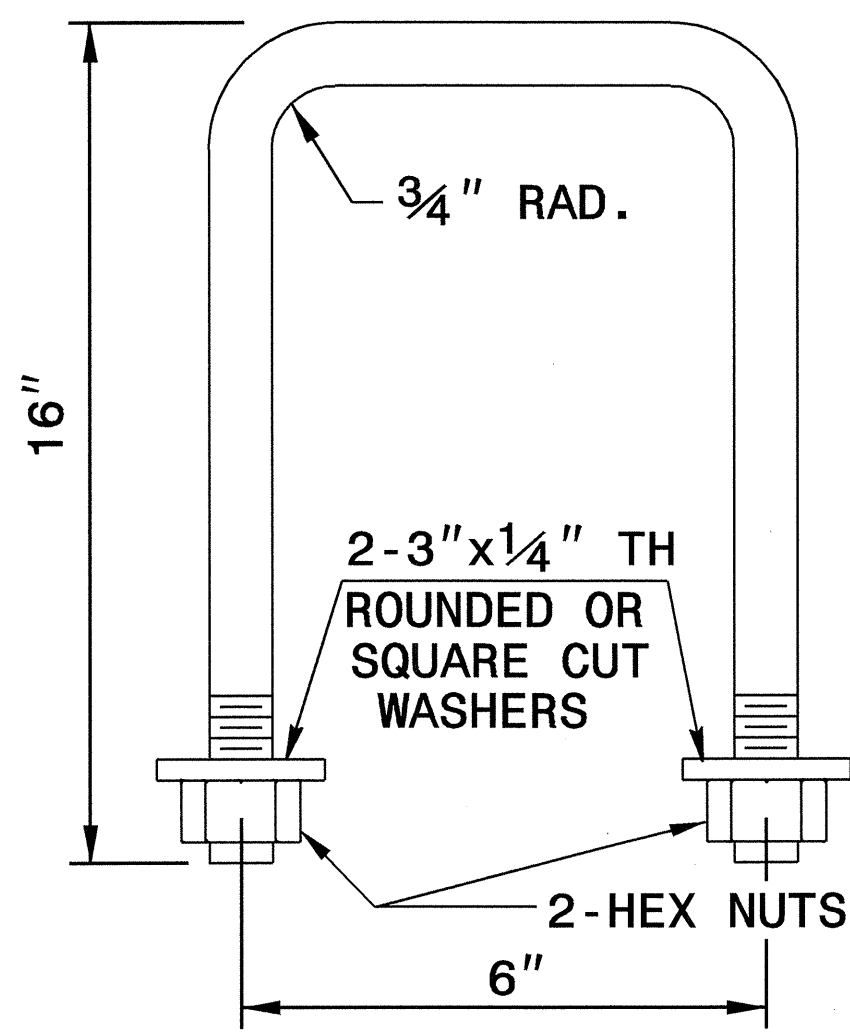


PLAN

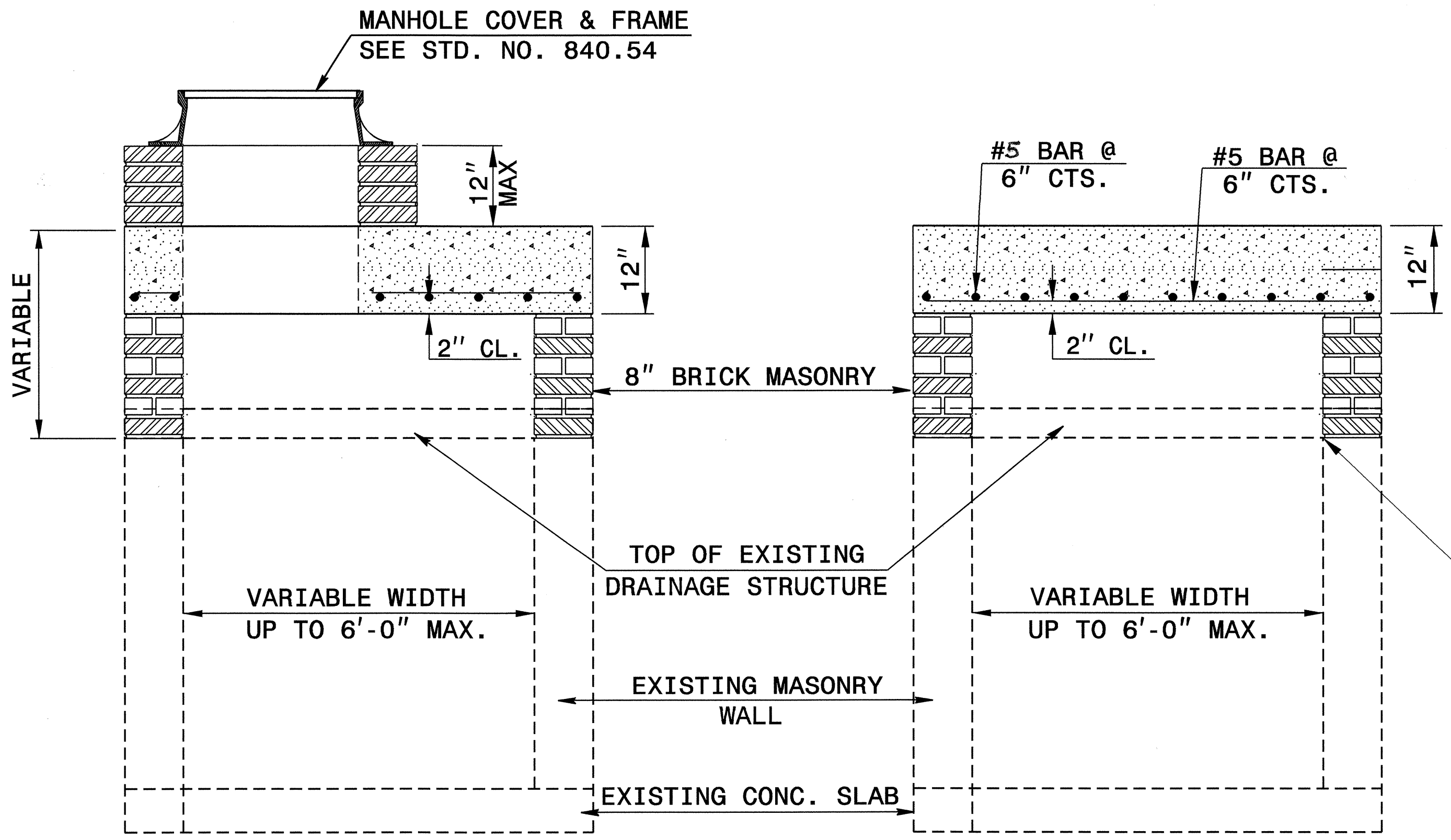
GENERAL NOTES:
 CONSTRUCT IN ACCORDANCE WITH SECTION 859 OF THE STANDARD SPECIFICATIONS.
 FIELD VERIFY THE DIMENSIONS FOR THE EXISTING BOXES.

BILL OF MATERIALS

MASONRY			
TOP SLAB CONCRETE CLASS "A"		.037YDS ³	PER FT ²
BRICK MASONRY		.025YDS ³	PER FT ²
REINFORCING STEEL		7.64LBS	PER FT ²
MANHOLE OPTION QUANTITIES			
SIZE	QTY.	LENGTH	REINF. STEEL LBS.
#5 DIAG.	8	1'-1"	9.04



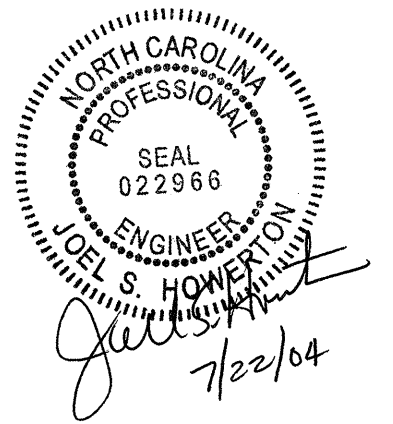
DETAIL OF HANDLE



SECTION X-X

SECTION Y-Y

NOTE:
 CONCRETE AND REINFORCING STEEL QUANTITIES BASED ON SQUARE FOOT AREA OF THE PROPOSED TOP SLAB FOR THE EXISTING DRAINAGE STRUCTURE.
 BRICK MASONRY QUANTITY IS BASED ON THE TOTAL SQUARE FOOTAGE OF EXTERIOR WALL SURFACE AREA TO BE CONSTRUCTED.



**DESIGN SERVICES UNIT
 STANDARDS AND SPECIAL DESIGN**
 Office 919-250-4128 FAX 919-250-4119

**DETAIL TO CONVERT EXISTING
 DROP INLET OR CATCH BASIN
 TO TRAFFIC BEARING JUNCTION BOX
 (MANHOLE OPTIONAL)**

ORIGINAL BY: T.S.S. DATE: FEB. 2000
 MODIFIED BY: E.E.W. DATE: NOV. 2001
 CHECKED BY: [Signature] DATE: 7/2/04
 FILE SPEC.: w:\edward\usr\details\stand\boxtotb\be.dgn

25-JUN-2004 08:06
 W:\Special_Details\Vericard\usr\stand\box_totb\be.dgn
 ericard AT D5212260