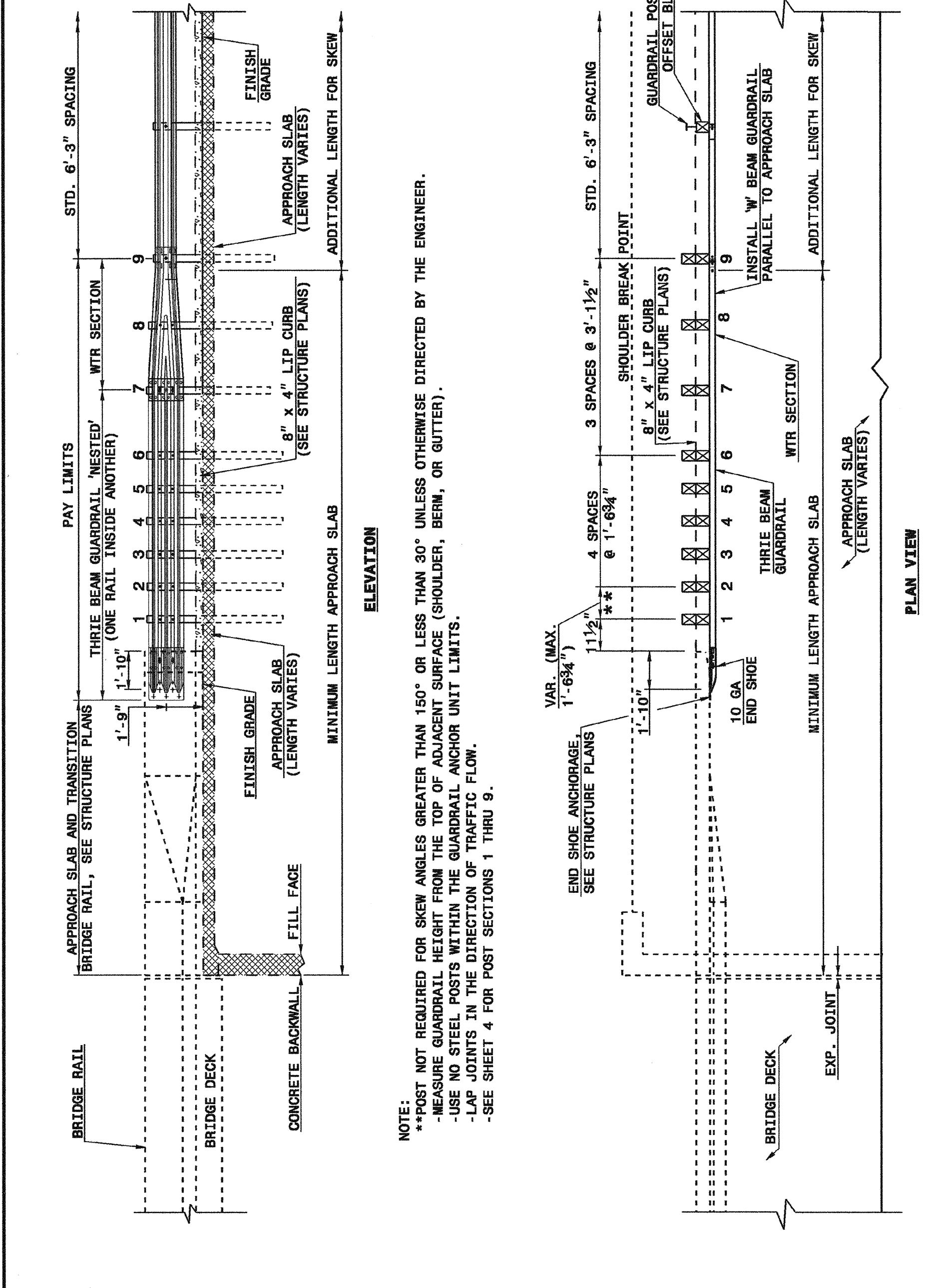


12-APR-2004 15:48 W:\Special\_Details\viewer\dstds\02\stds to Special\_Details\english\862d03\0862d03.dgn  
 5/14/99

STATE OF NORTH CAROLINA  
DEPT. OF TRANSPORTATION  
DIVISION OF HIGHWAYS  
RALEIGH, N.C.

ENGLISH DETAIL DRAWING FOR  
**STRUCTURE ANCHOR UNITS**  
GUARDRAIL ANCHOR UNIT, TYPE III  
FOR ATTACHMENT TO RAIL ON APPROACH SLAB

SHEET 3 OF 4  
**862D03**



STATE OF NORTH CAROLINA  
DEPT. OF TRANSPORTATION  
RALEIGH, N.C.

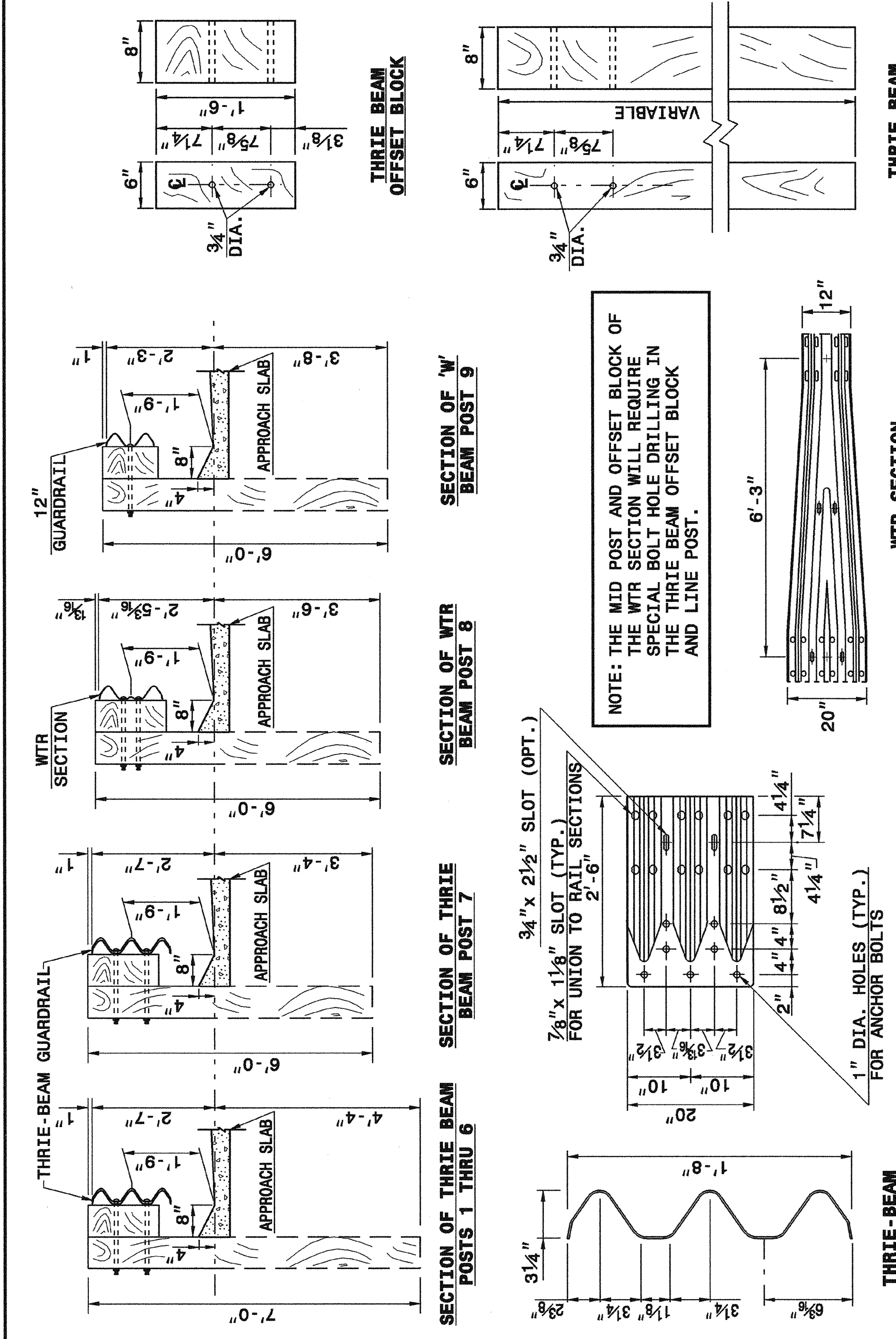
ENGLISH DETAIL DRAWING FOR  
**STRUCTURE ANCHOR UNITS**  
GUARDRAIL ANCHOR UNIT, TYPE III  
FOR ATTACHMENT TO RAIL ON APPROACH SLAB

SHEET 4 OF 4  
**862D03**

STATE OF NORTH CAROLINA  
DEPT. OF TRANSPORTATION  
DIVISION OF HIGHWAYS  
RALEIGH, N.C.

ENGLISH DETAIL DRAWING FOR  
**STRUCTURE ANCHOR UNITS**  
GUARDRAIL ANCHOR UNIT, TYPE III

SHEET 4 OF 4  
**862D03**



STATE OF NORTH CAROLINA  
DEPT. OF TRANSPORTATION  
RALEIGH, N.C.

ENGLISH DETAIL DRAWING FOR  
**STRUCTURE ANCHOR UNITS**  
GUARDRAIL ANCHOR UNIT, TYPE III

SHEET 4 OF 4  
**862D03**

**DESIGN SERVICES UNIT**  
**STANDARDS AND SPECIAL DESIGN**  
Office 919-250-4128 FAX 919-250-4119

**SEE PLATE FOR TITLE**

ORIGINAL BY: 2002 STANDARDS DATE: 01-15-02  
 MODIFIED BY: E.E. WARD DATE: 04-07-04  
 CHECKED BY: DATE:  
 FILE SPEC.: stds/02stdstodetails/english/862d03.dgn

