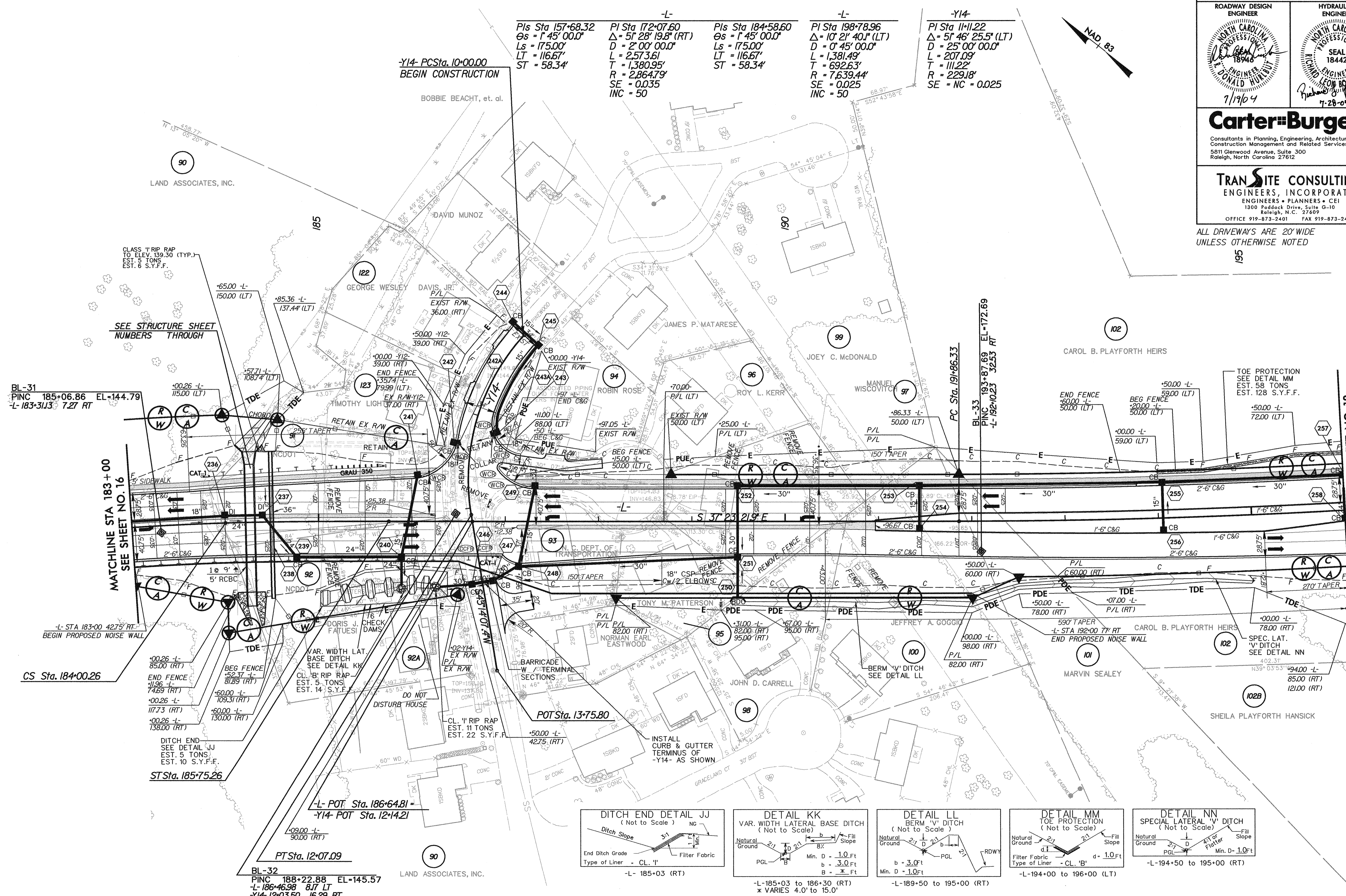


SEE SHEET 31 FOR -L- PROFILE  
SEE SHEET 37 FOR -Y14- PROFILE

PROJECT REFERENCE NO. U-0620		SHEET NO. 17	
RW SHEET NO.			
ROADWAY DESIGN ENGINEER 		HYDRAULICS ENGINEER 	
<b>Carter-Burgess</b>			
Consultants in Planning, Engineering, Architecture, Construction Management and Related Services 5811 Glenwood Avenue, Suite 300 Raleigh, North Carolina 27612			
<b>TRANSITE CONSULTING</b> ENGINEERS, INCORPORATED ENGINEERS • PLANNERS • CEI 1300 Paddock Drive, Suite G-10 Raleigh, N.C. 27609 OFFICE 919-873-2401 FAX 919-873-2404			

<p>-L- PI Sta 157+68.32 Δs = 1' 45" 00.0" Ls = 175.00' LT = 116.67' ST = 58.34'</p>	<p>-L- PI Sta 172+07.60 Δ = 5' 28" 19.8" (RT) D = 2' 00" 00.0" L = 2.573.61 T = 1,380.95' R = 2,864.79' SE = 0.035 INC = 50</p>	<p>-L- PI Sta 184+58.60 Δs = 1' 45" 00.0" Ls = 175.00' LT = 116.67' ST = 58.34'</p>	<p>-L- PI Sta 198+78.96 Δ = 10' 21" 40.1" (LT) D = 0' 45" 00.0" L = 1,381.49' T = 692.63' R = 7,639.44' SE = 0.025 INC = 50</p>	<p>-Y14- PI Sta 11+11.22 Δ = 5' 46" 25.5" (LT) D = 25' 00" 00.0" L = 207.09' T = 111.22' R = 229.18' SE = NC = 0.025</p>
---	---	---	---	--

-Y14- PCSta. 10+00.00  
BEGIN CONSTRUCTION



BL-31  
PINC 185+06.86 EL=144.79  
-L- 183+31.3 7.27 RT

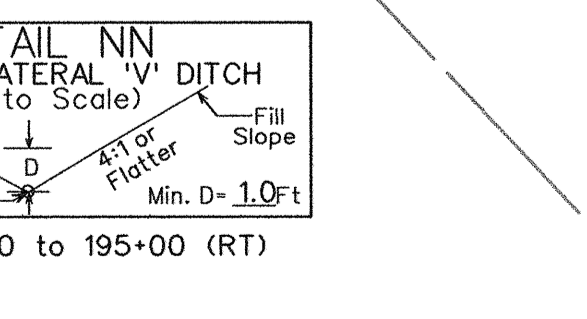
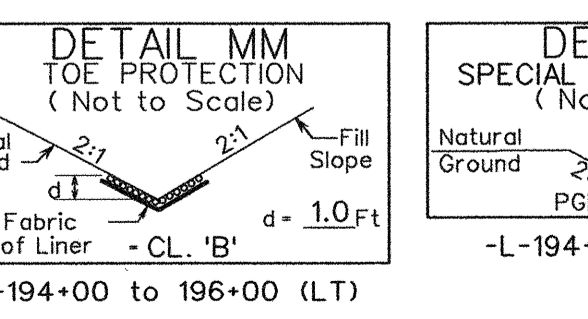
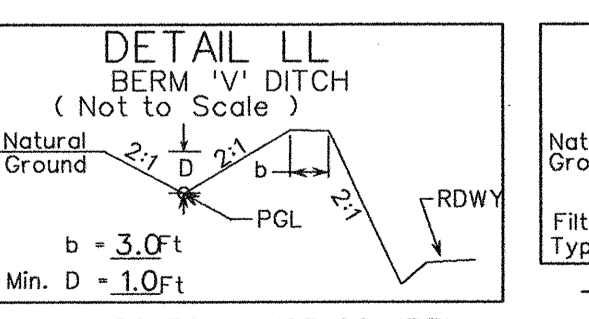
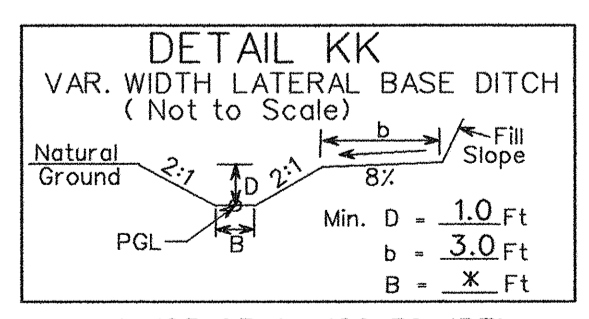
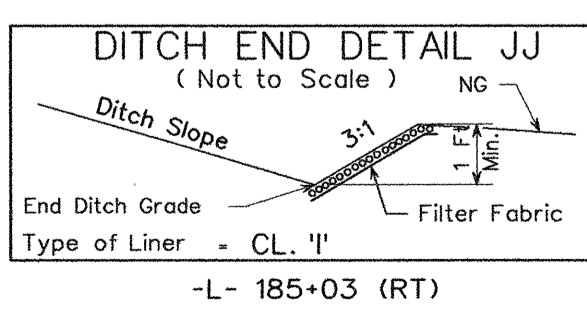
CS Sta. 184+00.26

STSta. 185+75.26

-L- POT Sta. 186+64.81  
-Y14- POT Sta. 12+14.21

PTSta. 12+07.09

BL-32  
PINC 188+22.88 EL=145.57  
-L- 186+46.98 8.17 LT  
-Y14- 12+03.50 16.29 RT



- 5' MONOLITHIC ISLAND (KEYED IN) & SIDEWALK
- PAINT STRIPED LANE CLOSURE
- PAVEMENT REMOVAL & ABOLITION

7/2/99

03:02:50 PM  
c:\p0620\rdy\psh-17.dgn  
17/19/2004