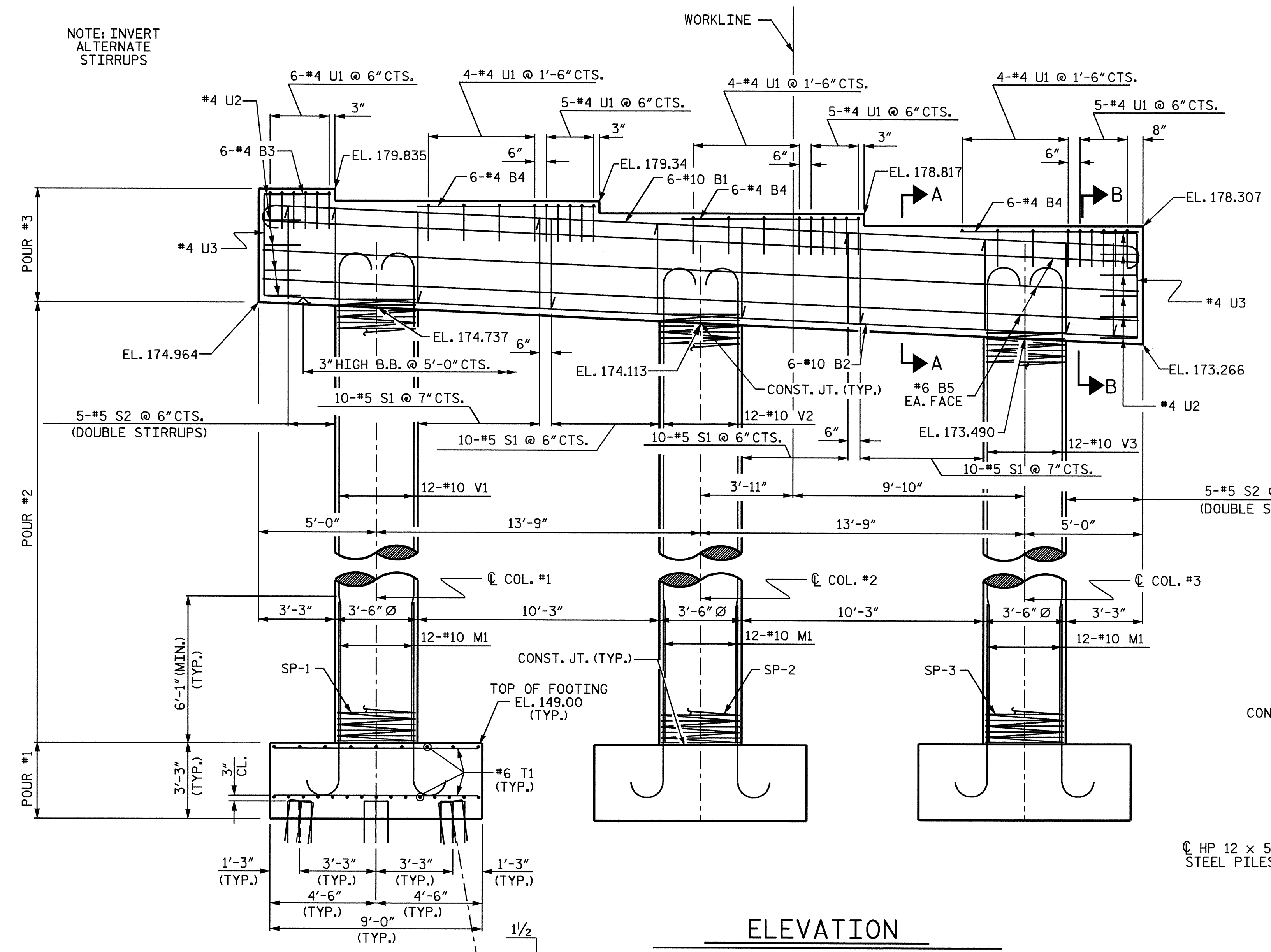


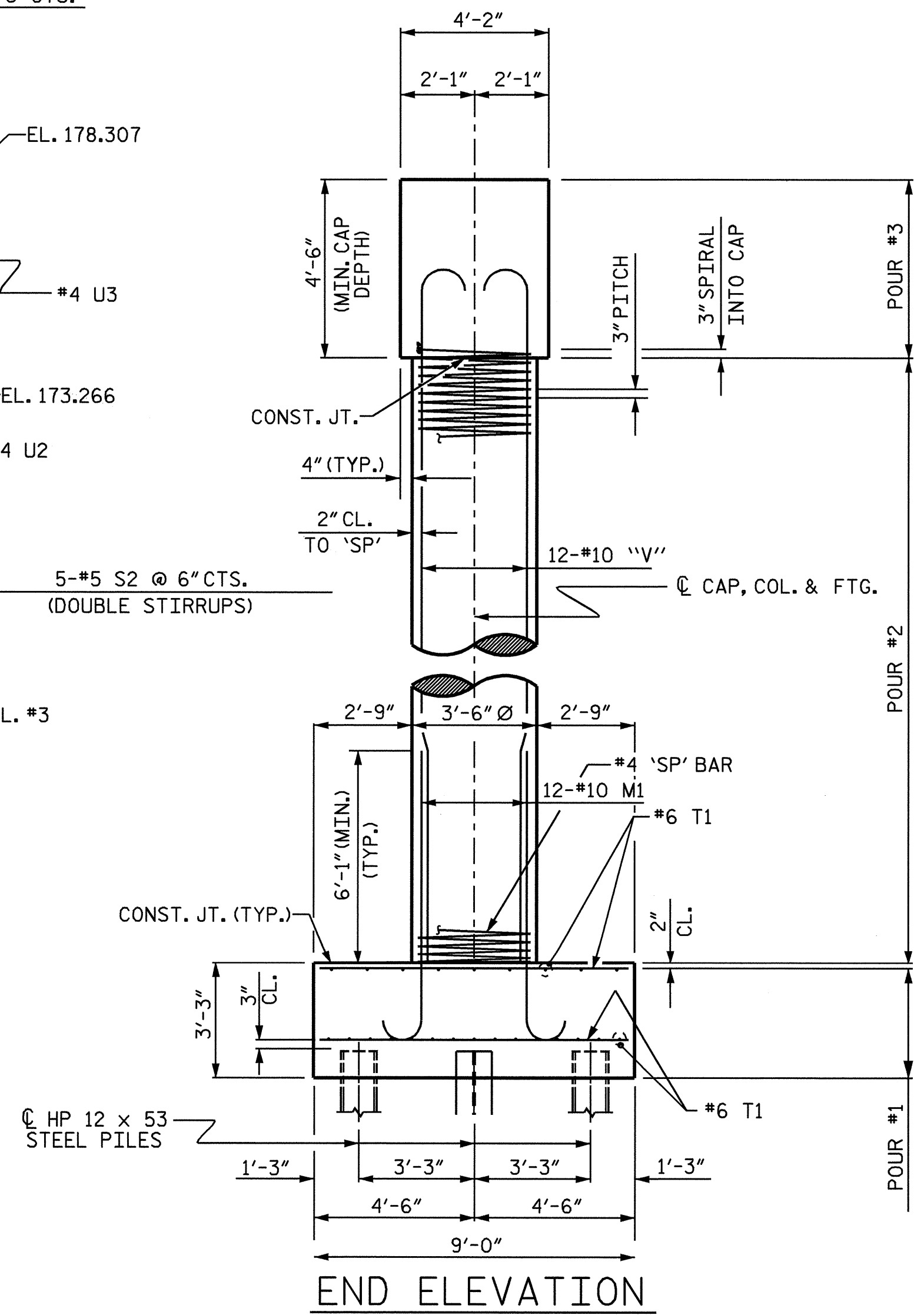
PLAN OF CAP

NOTES

STIRRUPS IN CAP MAY BE SHIFTED AS NECESSARY TO CLEAR ANCHOR BOLTS.
 HOOKS ON "V" BARS MAY BE TURNED AS NECESSARY FOR PLACING REINFORCING STEEL.
 ALL STEEL IN THE DRILLED PIERS IS INCLUDED IN THE PAY ITEMS FOR "REINFORCING STEEL" AND "SPIRAL COLUMN REINFORCING STEEL."
 "U" BARS IN THE END OF CAP MAY BE SHIFTED SLIGHTLY TO CLEAR "B" BARS.



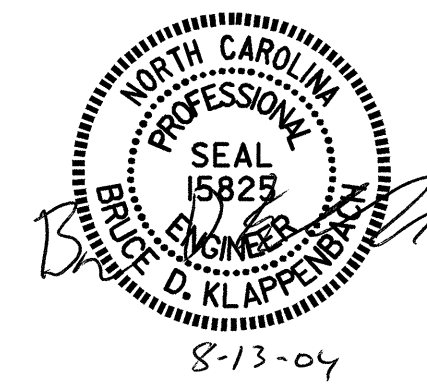
ELEVATION



END ELEVATION

NOTE: INVERT ALTERNATE STIRRUPS

NOTE: ALL PILES ON FOOTING 2 ARE VERTICAL
 PILES ON FOOTING 1 & 3 ARE SIMILAR



PROJECT NO. U-0620
CUMBERLAND COUNTY
 STATION: 161+95.29 -L-

SHEET 1 OF 2

STATE OF NORTH CAROLINA
 DEPARTMENT OF TRANSPORTATION
 RALEIGH

SUBSTRUCTURE
 BENT #1
 (LEFT LANE)

REVISIONS					SHEET NO.
NO.	BY:	DATE:	NO.	BY:	DATE:
1			3		
2			4		

TOTAL SHEETS
 129

DRAWN BY: J.B. WILSON DATE: 11/03
 CHECKED BY: D.A. GLADDEN DATE: 11/03