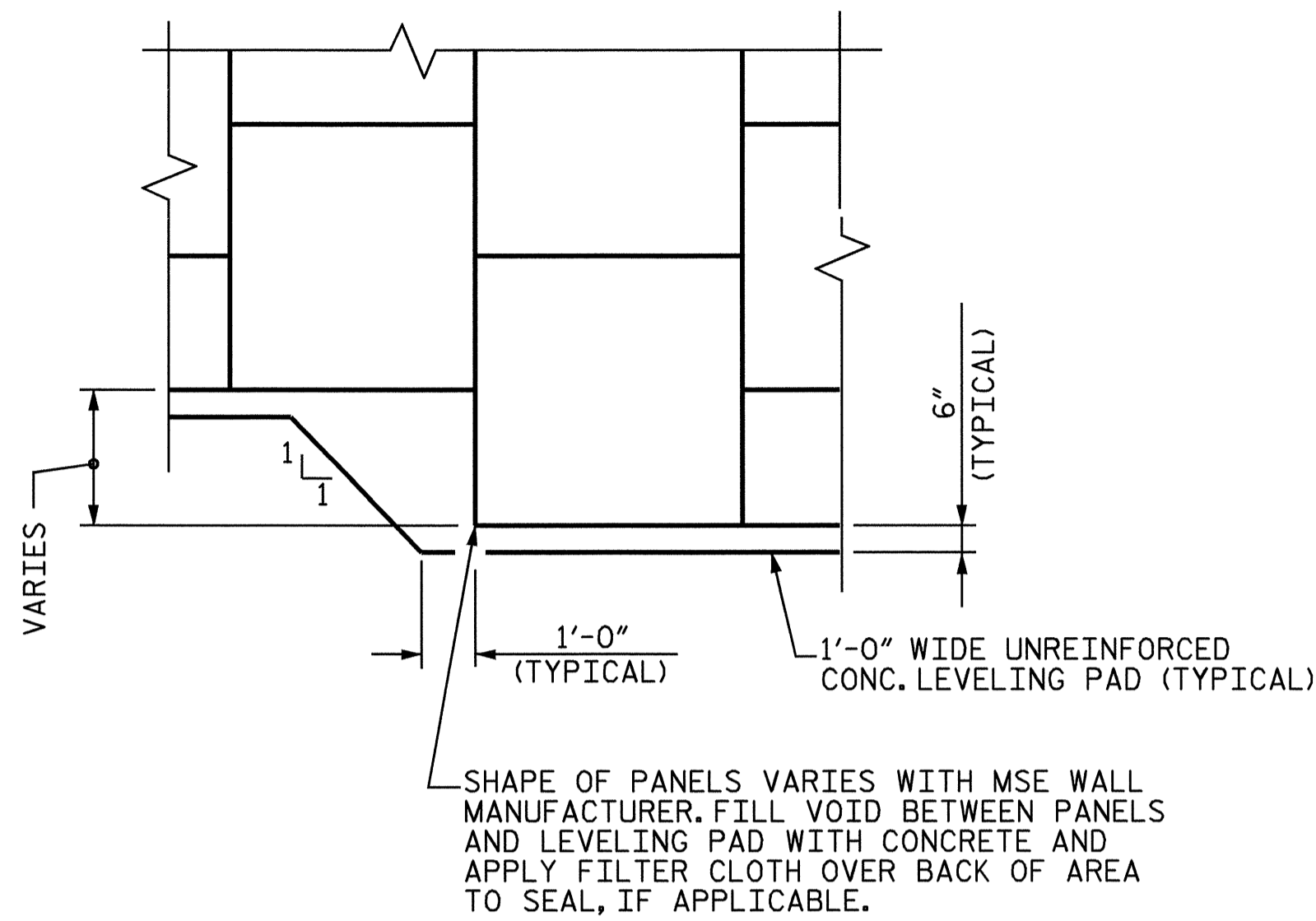
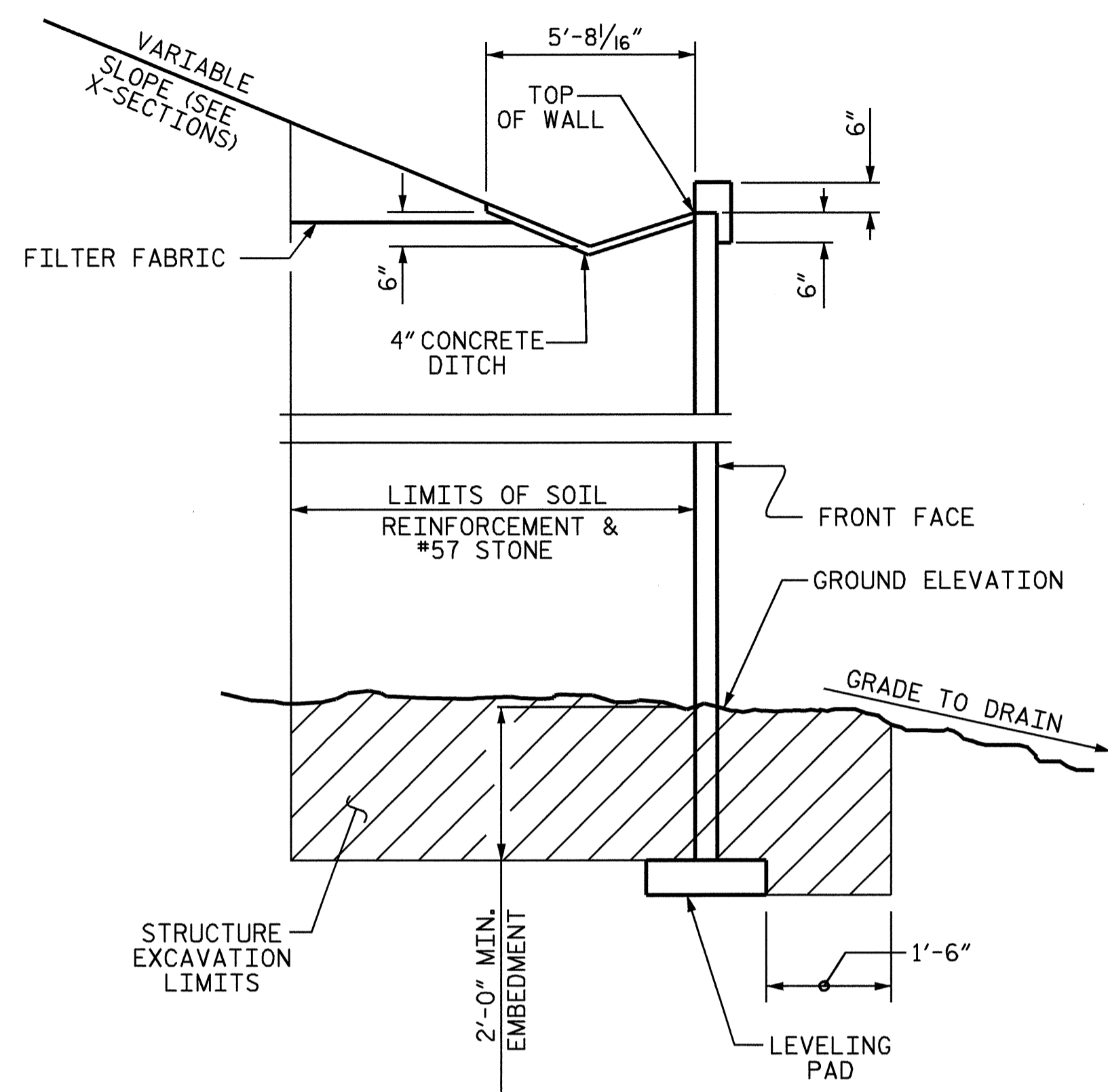


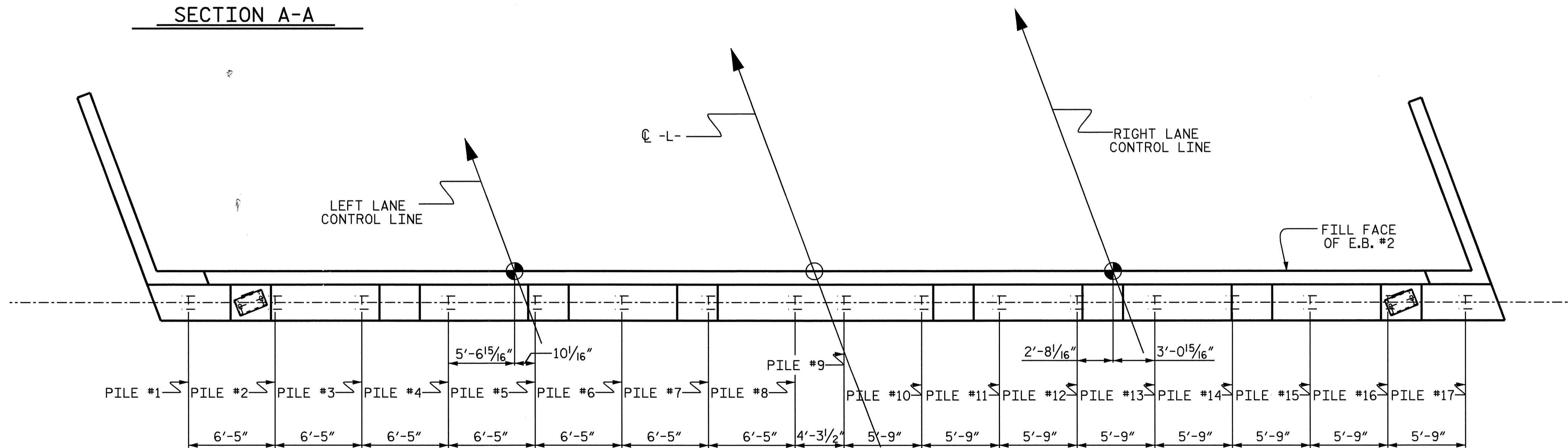
SECTION A-A



STEP DETAIL  
TYPICAL LEVELING PAD



SECTION B-B

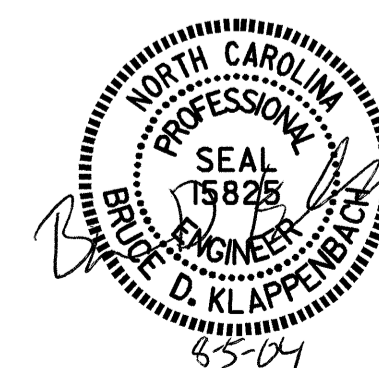


PILE SPACING @ END BENT #2

PROJECT NO. U-0620  
CUMBERLAND COUNTY  
STATION: 162+29.76 -L-

SHEET 2 OF 2

STATE OF NORTH CAROLINA  
DEPARTMENT OF TRANSPORTATION  
RALEIGH  
DETAILS  
MSE WALL ENVELOPE  
@ END BENT #2



REVISIONS						SHEET NO.
NO.	BY:	DATE:	NO.	BY:	DATE:	W-2
1			3			TOTAL SHEETS
2			4			2

DRAWN BY: J.B. WILSON DATE: 1/04  
CHECKED BY: B.D. KLAPPENBAUGH DATE: 6/04