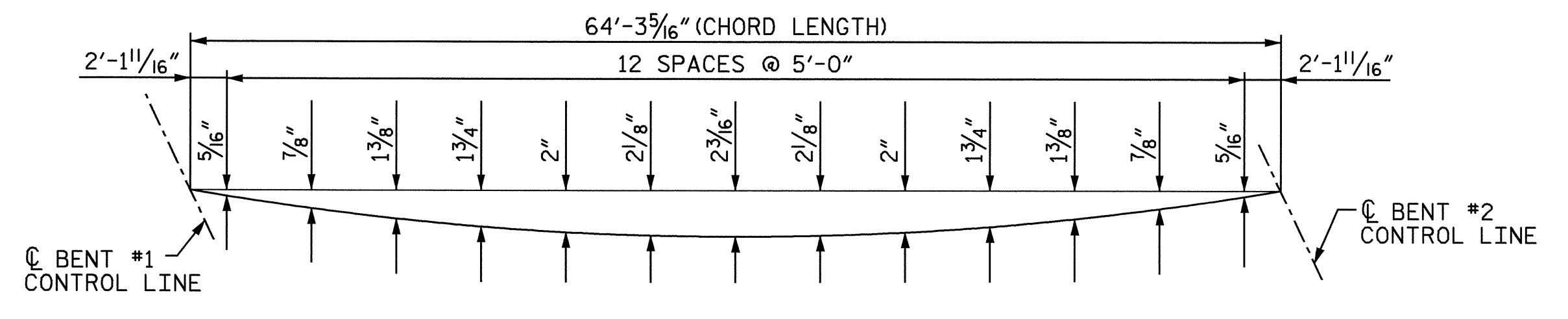
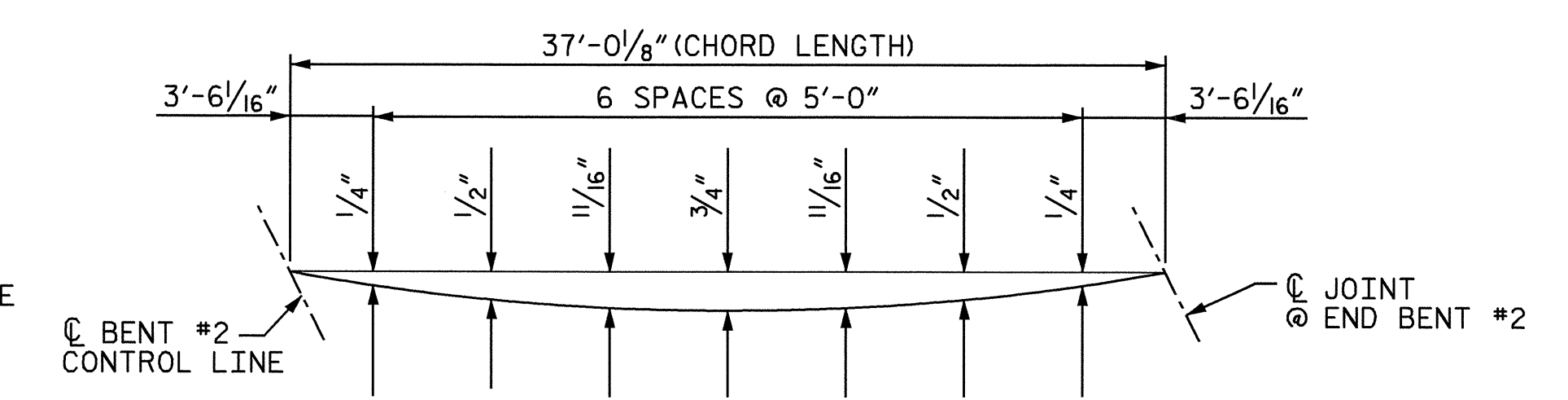


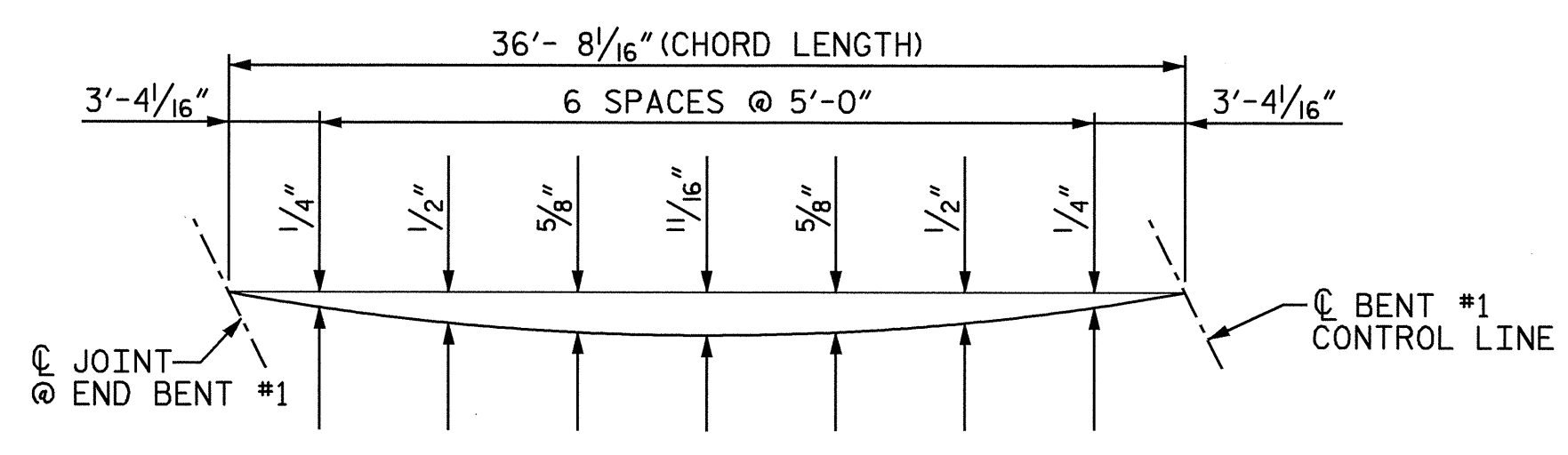
LEFT SIDE



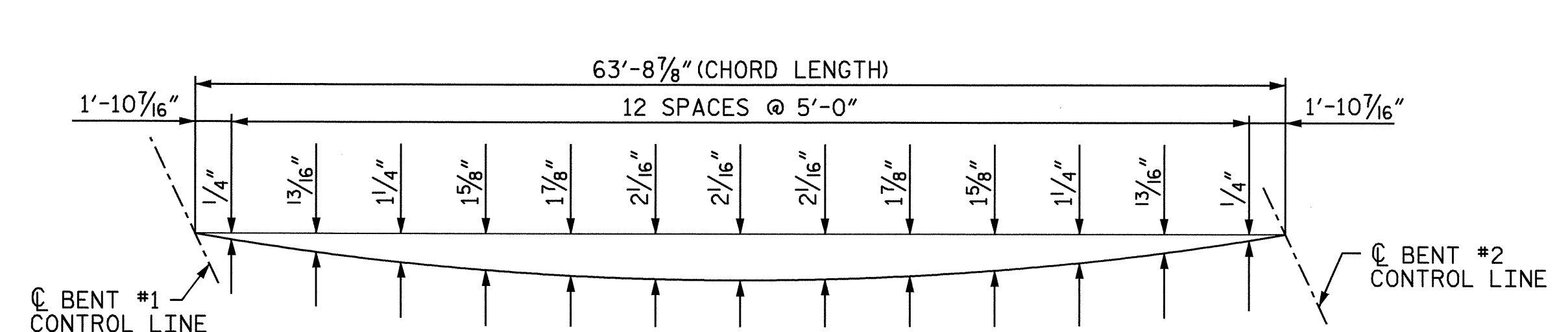
LEFT SIDE



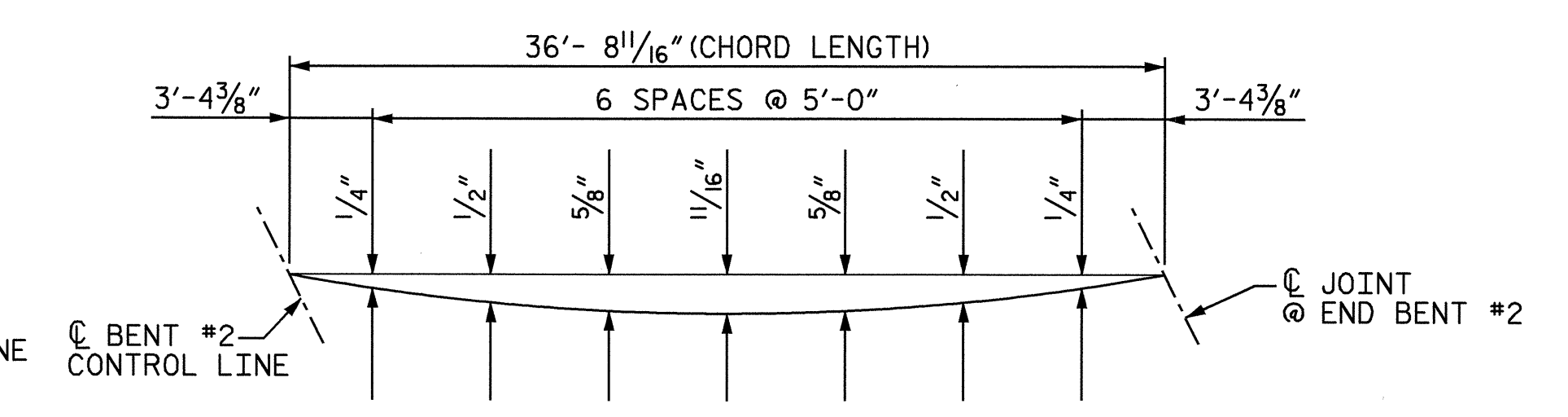
LEFT SIDE



RIGHT SIDE



RIGHT SIDE



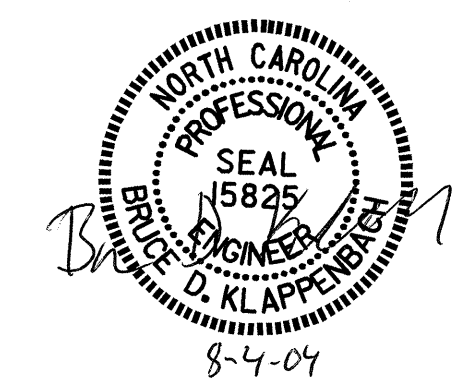
RIGHT SIDE

ARC OFFSETS-SPAN "A"

ARC OFFSETS-SPAN "B"

ARC OFFSETS-SPAN "C"

DRAWN BY : M. G. SHAIKH DATE : 05-2-03  
 CHECKED BY : D. A. GLADDEN DATE : 07-03



PROJECT NO. U-0620  
 CUMBERLAND COUNTY  
 STATION: 32+18.00 -L-

SHEET 7 OF 7

STATE OF NORTH CAROLINA DEPARTMENT OF TRANSPORTATION RALEIGH					
SUPERSTRUCTURE ARC OFFSETS					
REVISIONS					
NO.	BY:	DATE:	NO.	BY:	DATE:
1			3		
2			4		
					SHEET NO. S-14
					TOTAL SHEETS 129