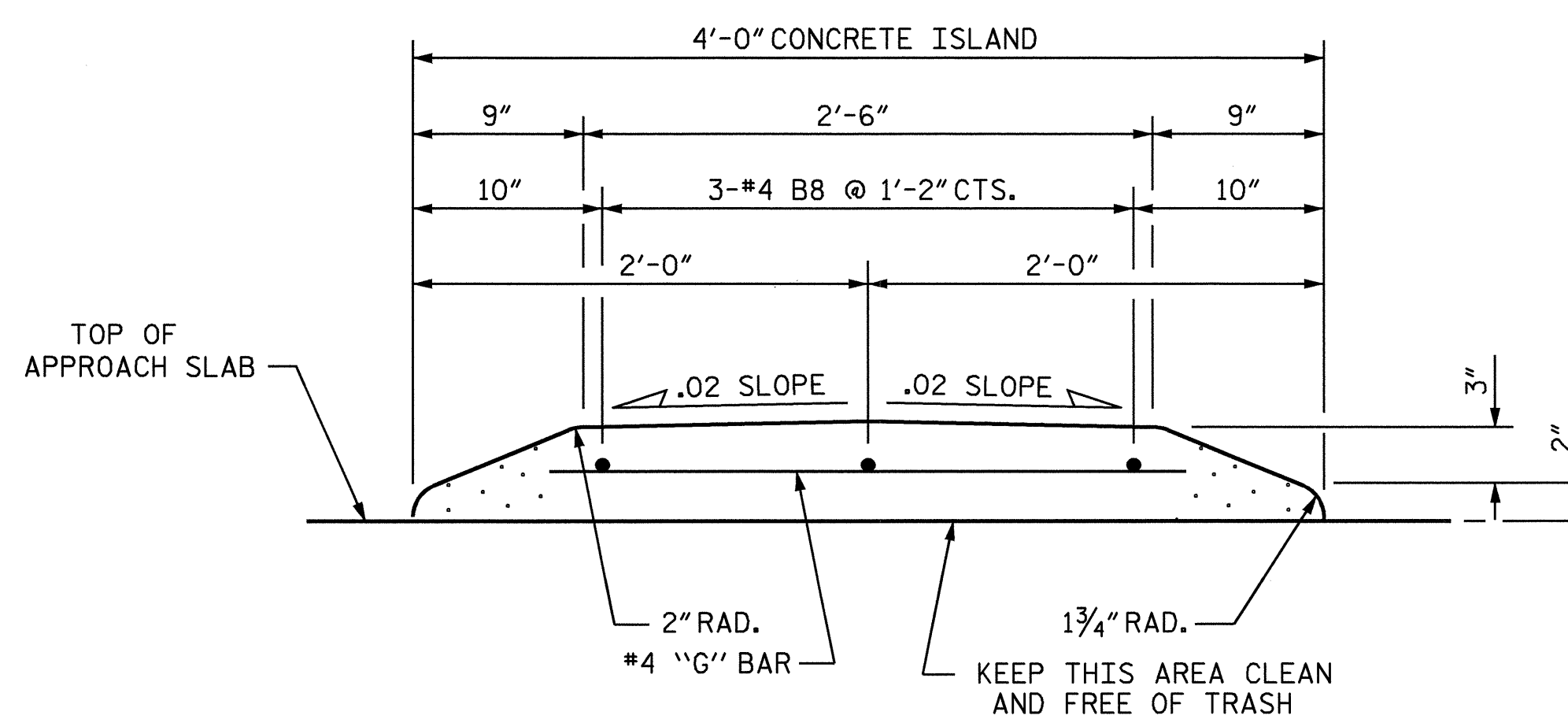
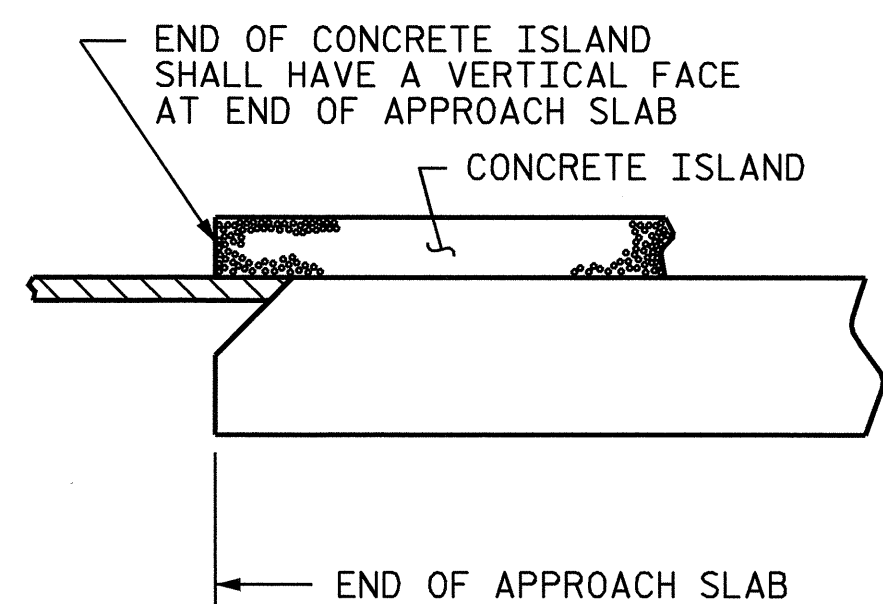


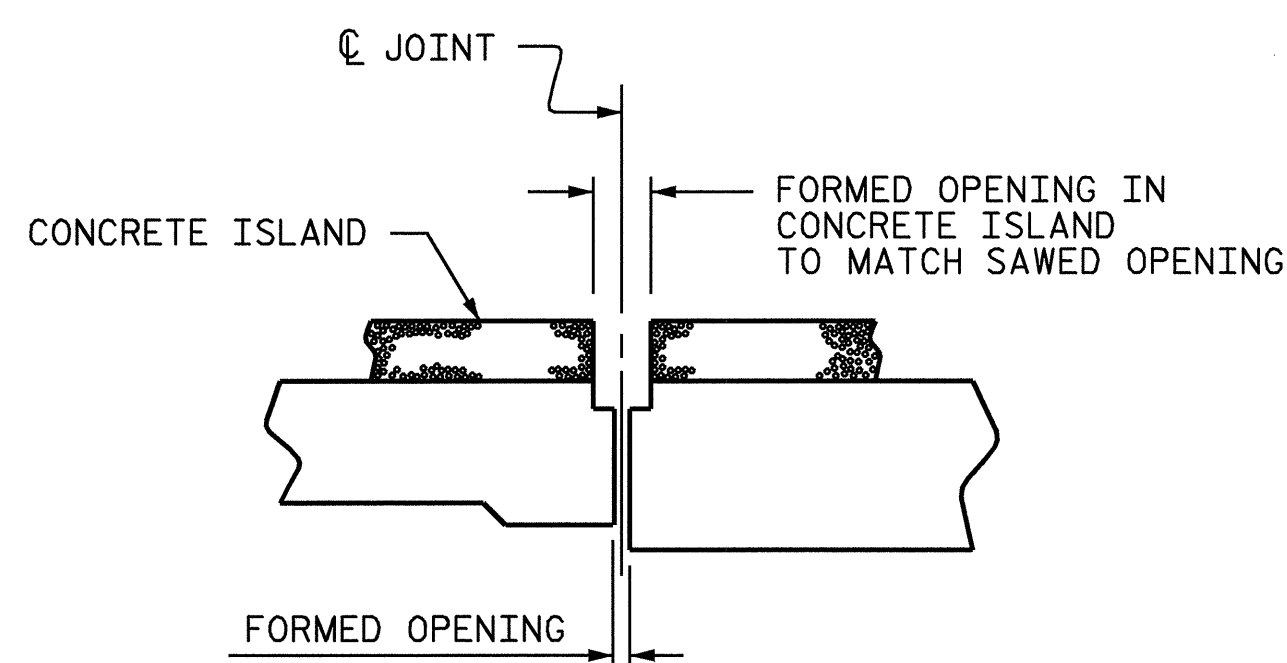
SECTION A-A



SECTION B-B



SECTION THRU ISLAND
AT END OF APPROACH SLAB



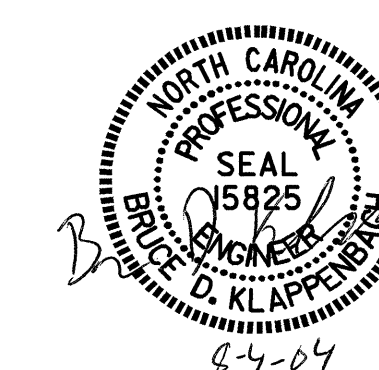
SECTION THRU ISLAND
AT END BENTS

PROJECT NO. U-0620
CUMBERLAND COUNTY
 STATION: 32+18.00 -L-

SHEET 2 OF 2

STATE OF NORTH CAROLINA
 DEPARTMENT OF TRANSPORTATION
 RALEIGH

SUPERSTRUCTURE
 CONCRETE ISLAND
 DETAILS



DRAWN BY: G.M.Patterson DATE: 9/22/03
 CHECKED BY: D.A. GLADDEN DATE: 7/12/04

26-JUL-2004 15:53
 W:\squad\U0620\Str1\mpatterson\Microstation\U0620.sd.CID.01.dgn
 bklappenbach

REVISIONS					SHEET NO.
NO.	BY:	DATE:	NO.	DATE:	9-27
1			3		TOTAL SHEETS
2			4		129