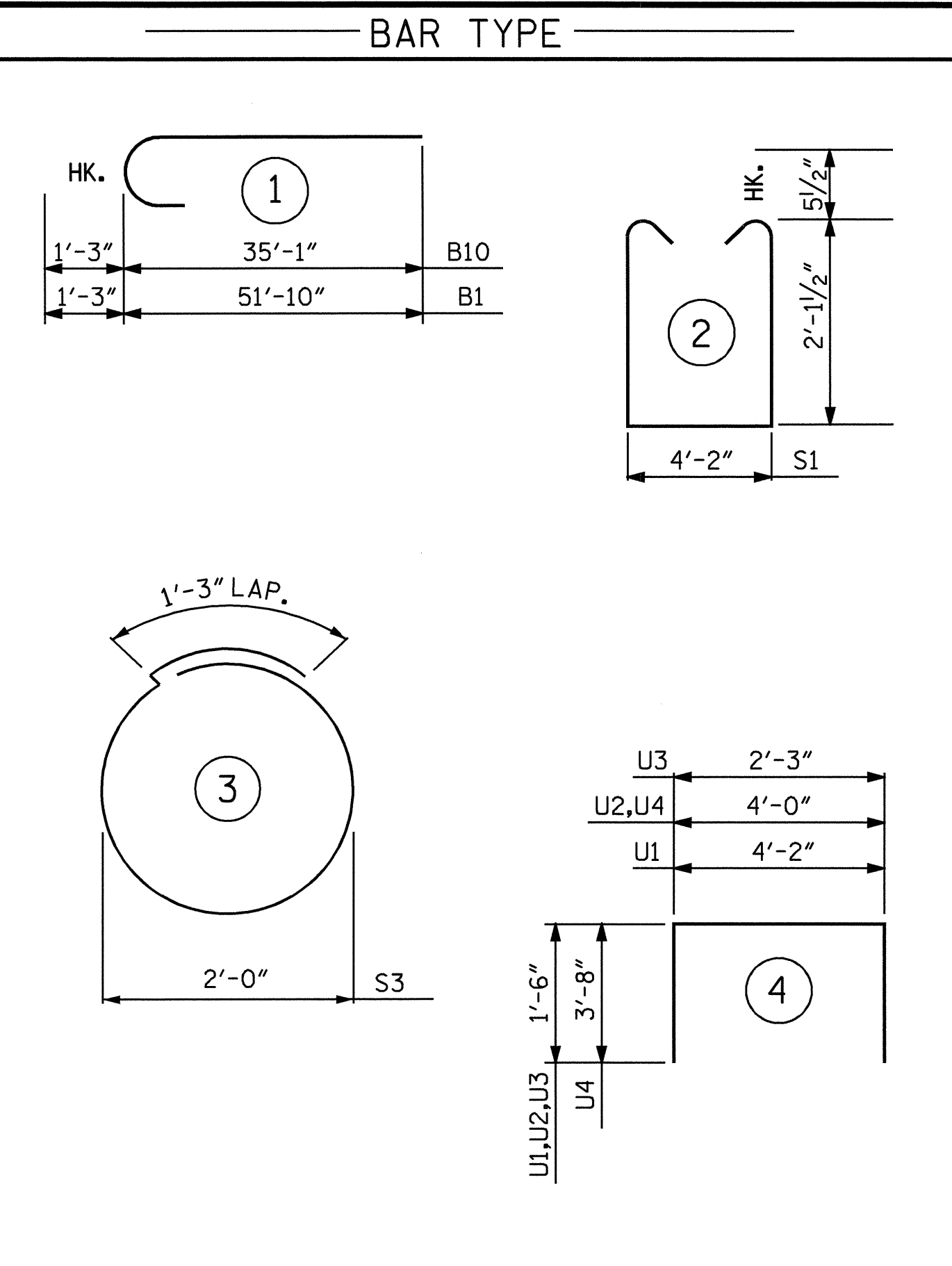
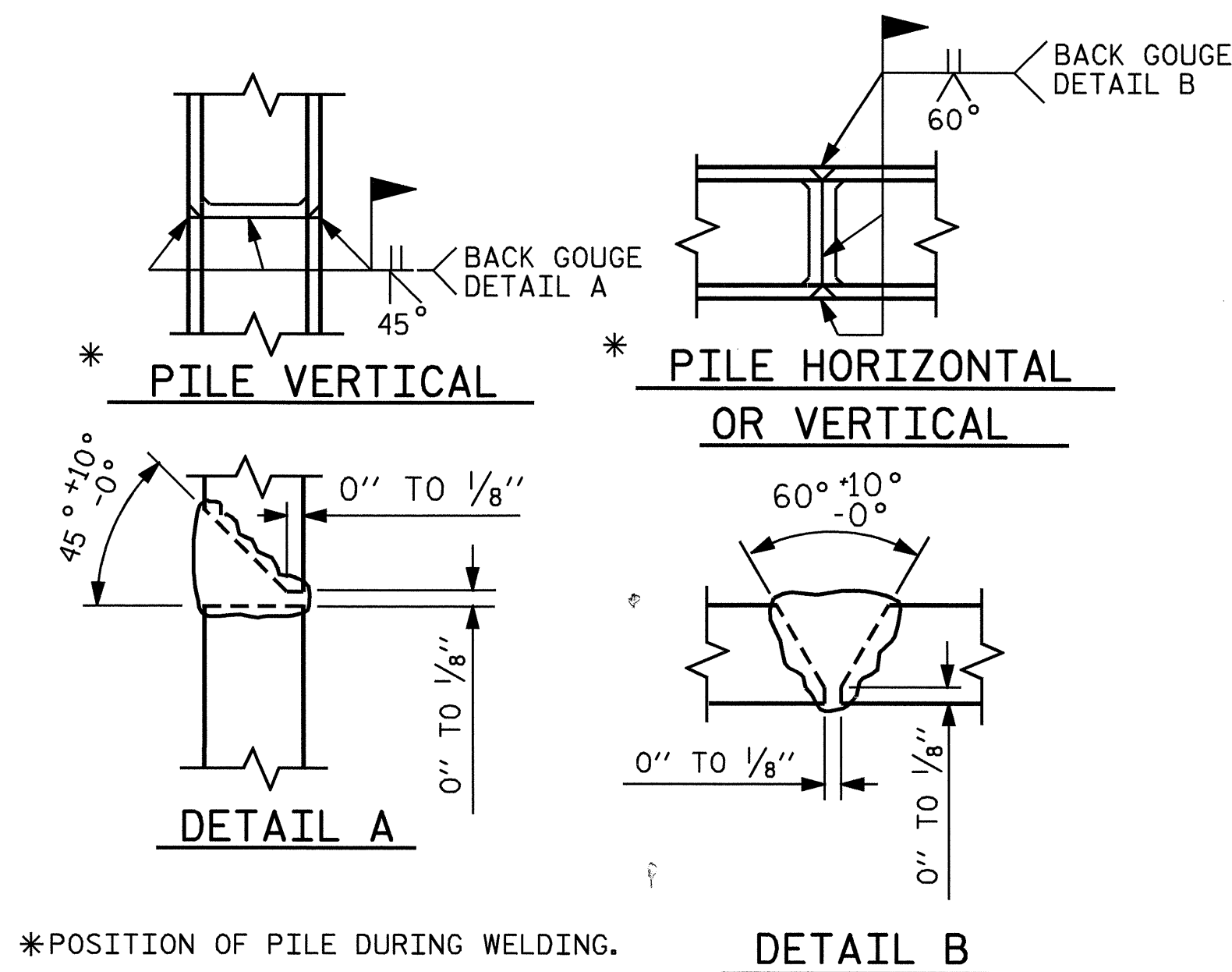


SECTION A-A

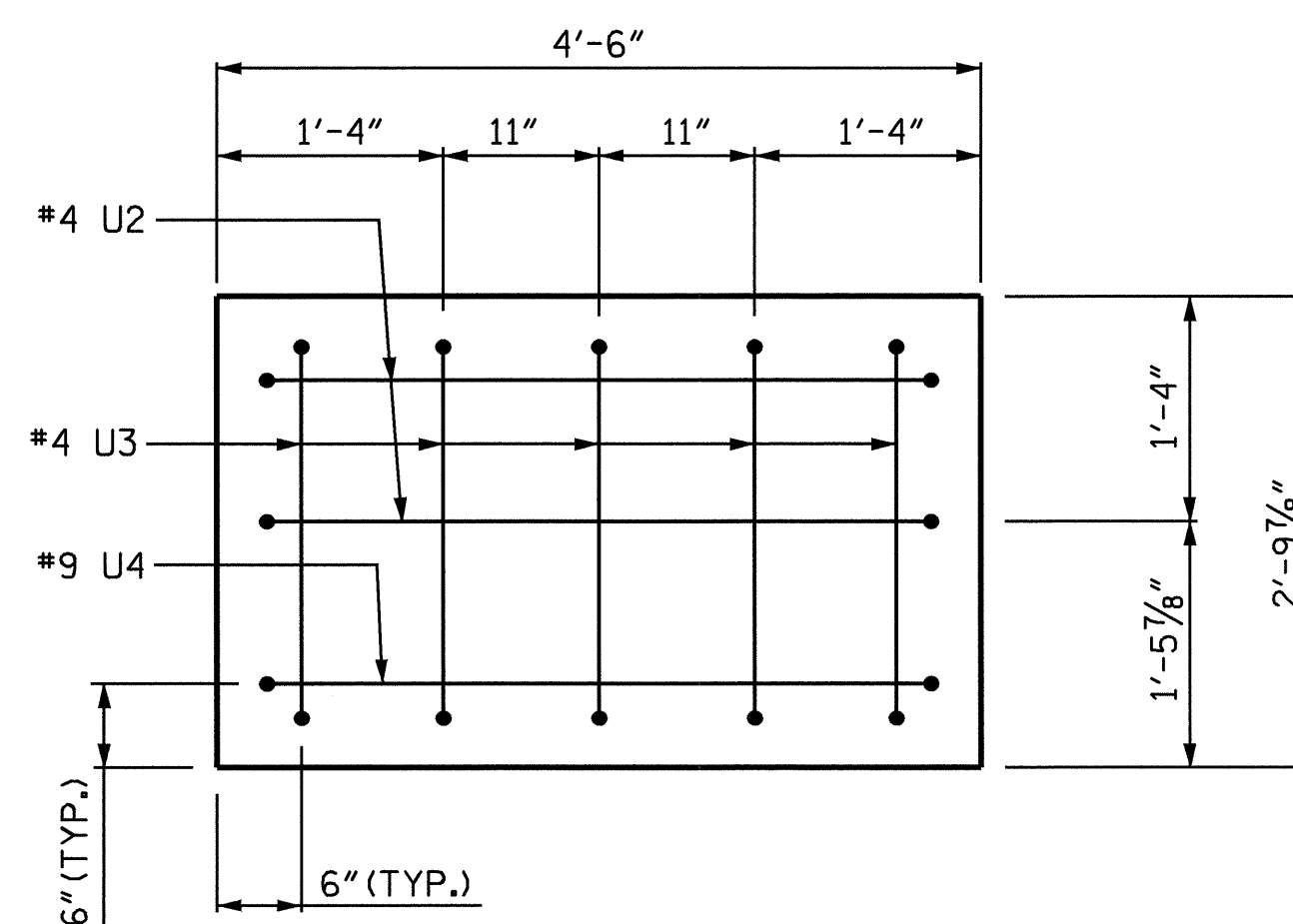
BILL OF MATERIAL											
STAGE I						STAGE II					
BAR	NO.	SIZE	TYPE	LENGTH	WEIGHT	BAR	NO.	SIZE	TYPE	LENGTH	WEIGHT
B1	6	#9	1	53'-4"	1088	B10	6	#9	1	36'-4"	741
B2	6	#9	STR	52'-1"	1063	B11	6	#9	STR	35'-2"	717
B3	12	#9	STR	50'-10"	2074	B12	4	#6	STR	35'-2"	211
B4	8	#6	STR	47'-11"	576	B13	8	#4	STR	18'-10"	101
B5	16	#4	STR	24'-1"	257	B14	9	#4	STR	4'-2"	25
B6	22	#4	STR	4'-2"	61						
B7	6	#4	STR	9'-10"	39						
B8	6	#4	STR	3'-11"	16						
						S1	44	#5	2	9'-4"	428
S1	110	#5	2	9'-4"	1071	S2	12	#4	4	7'-7"	61
S2	28	#4	3	7'-7"	142						
						U1	32	#4	5	7'-2"	153
						U2	2	#4	5	7'-0"	9
U1	76	#4	4	7'-2"	364	U3	5	#4	5	5'-3"	18
U2	2	#4	4	7'-0"	9	U4	1	#9	5	11'-4"	39
U3	5	#4	4	5'-3"	18						
U4	1	#9	4	11'-4"	39						
REINFORCING STEEL = 6817 LBS						REINFORCING STEEL = 2503 LBS					
CLASS A CONCRETE (CU.Y.) = 38.4						CLASS A CONCRETE (CU.Y.) = 15.7					
H.P. 14 X 73 STEEL PILES NO. 14 LIN. FT. 700						H.P. 14 X 73 STEEL PILES NO. 6 LIN. FT. 300					



	STAGE I	STAGE II	TOTAL
REINFORCING STEEL (LBS)	6817	2503	9320
CLASS A CONCRETE (CU.Y.)	38.4	15.7	54.1
H.P. 14 X 73 STEEL PILES LIN. FT.	700	300	1000



PILE SPLICE DETAILS

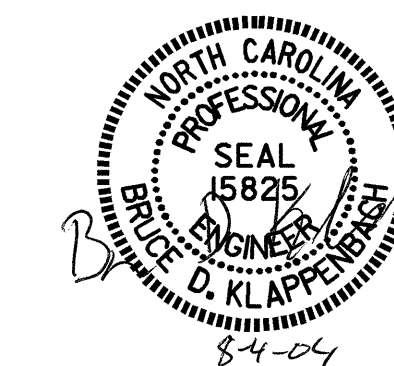


RIGHT END VIEW (STAGE I)
LEFT END VIEW (STAGE II)

PROJECT NO. U-0620
 CUMBERLAND COUNTY
 STATION: 32+18.00 -L-
 SHEET 3 OF 3

STATE OF NORTH CAROLINA
 DEPARTMENT OF TRANSPORTATION
 RALEIGH

SUBSTRUCTURE
 BENT #2



REVISIONS					SHEET NO.
NO.	BY:	DATE:	NO.	BY:	DATE:
1			3		
2			4		

TOTAL SHEETS: 129

DRAWN BY: J.B. WILSON DATE: 3 /04
 CHECKED BY: M.G. SHAIKH DATE: 3 /04

03-AUG-2004 11:36
 W:\squad\U0620\Str1\jwilson\Microstation\U-0620.ed.B*.02.dgn
 jwilson