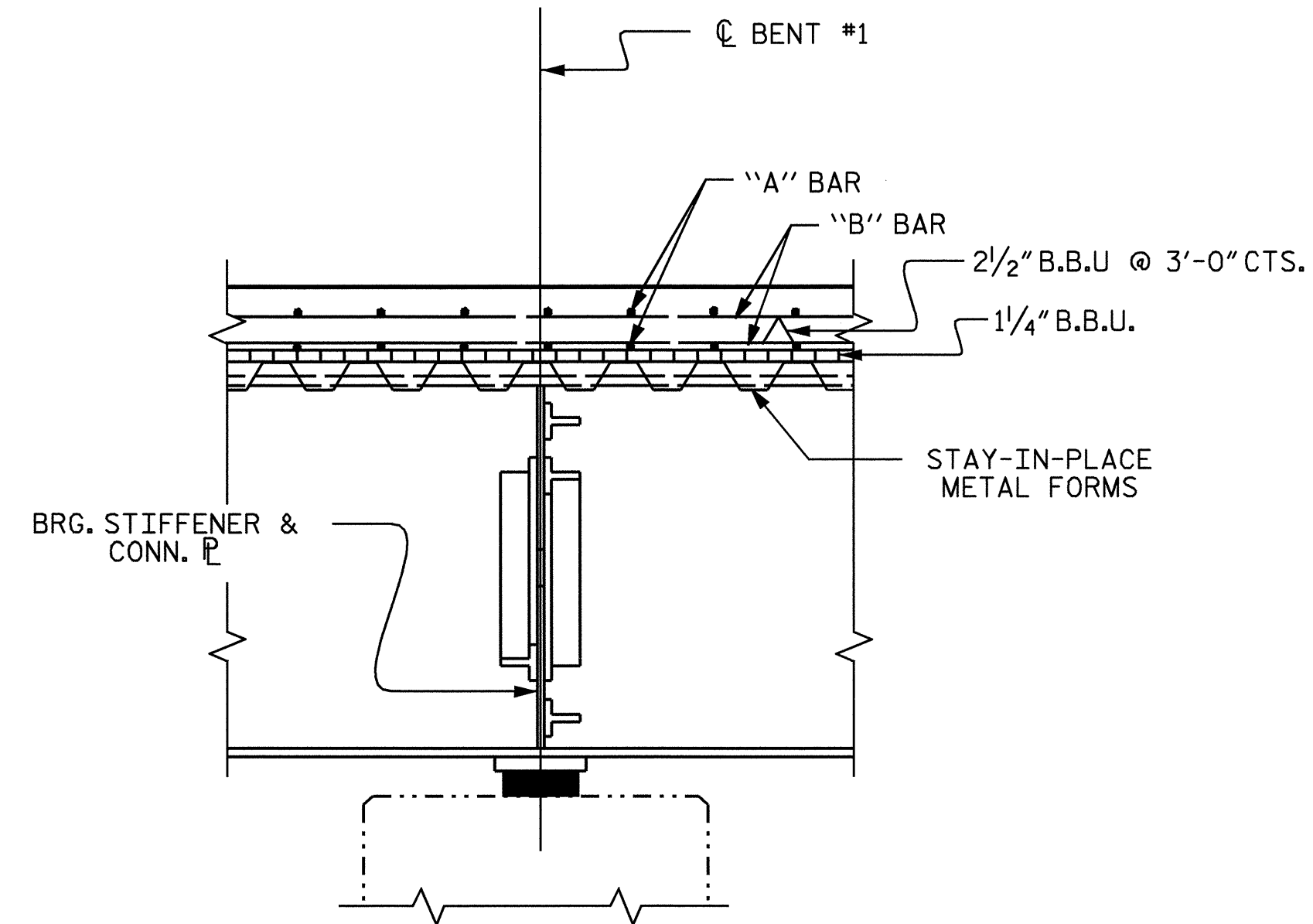
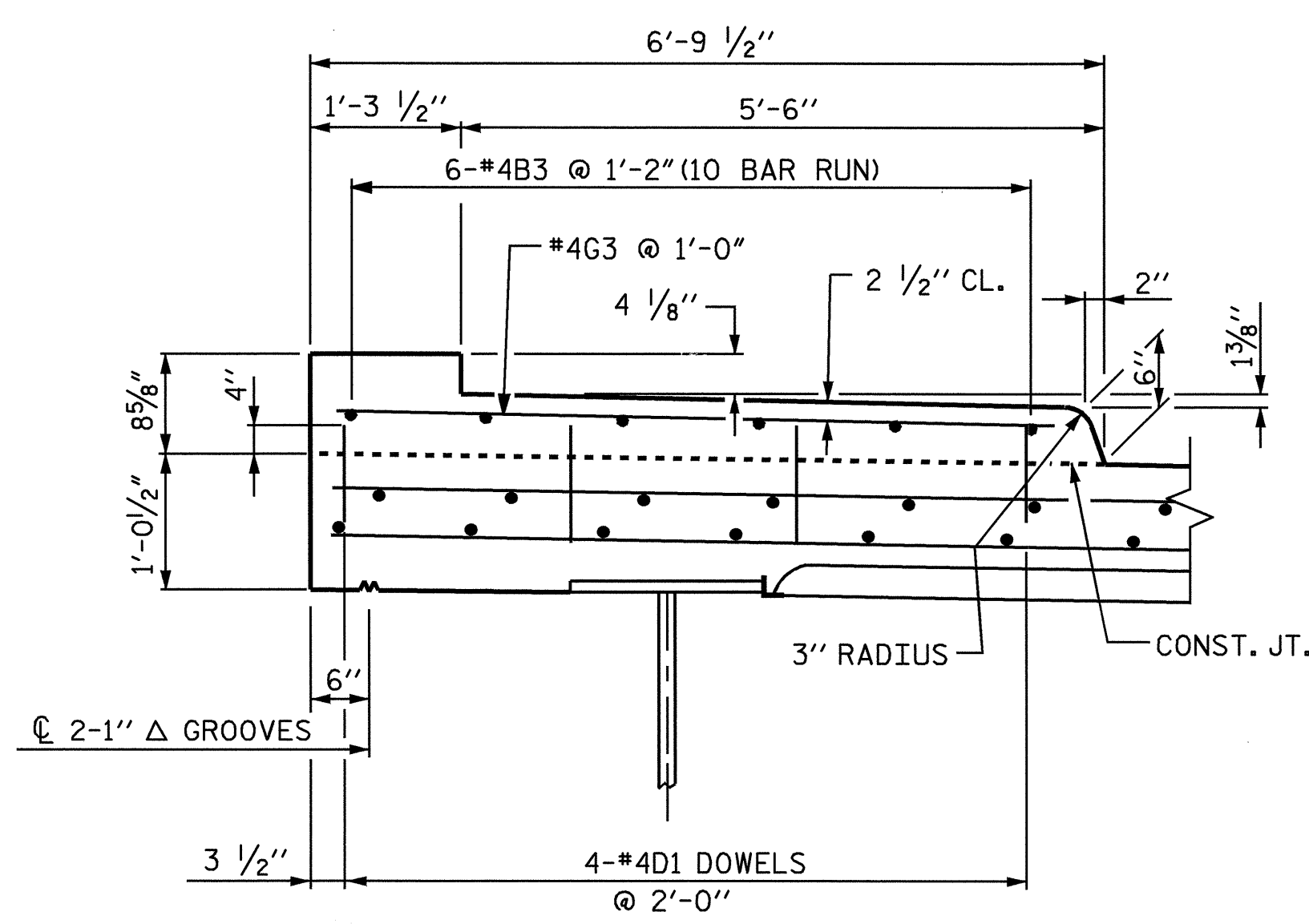


**SECTION THRU END BENT**

\*\* #5 "G" BAR MAY BE SHIFTED SLIGHTLY, AS NECESSARY, TO CLEAR REINFORCING STEEL.

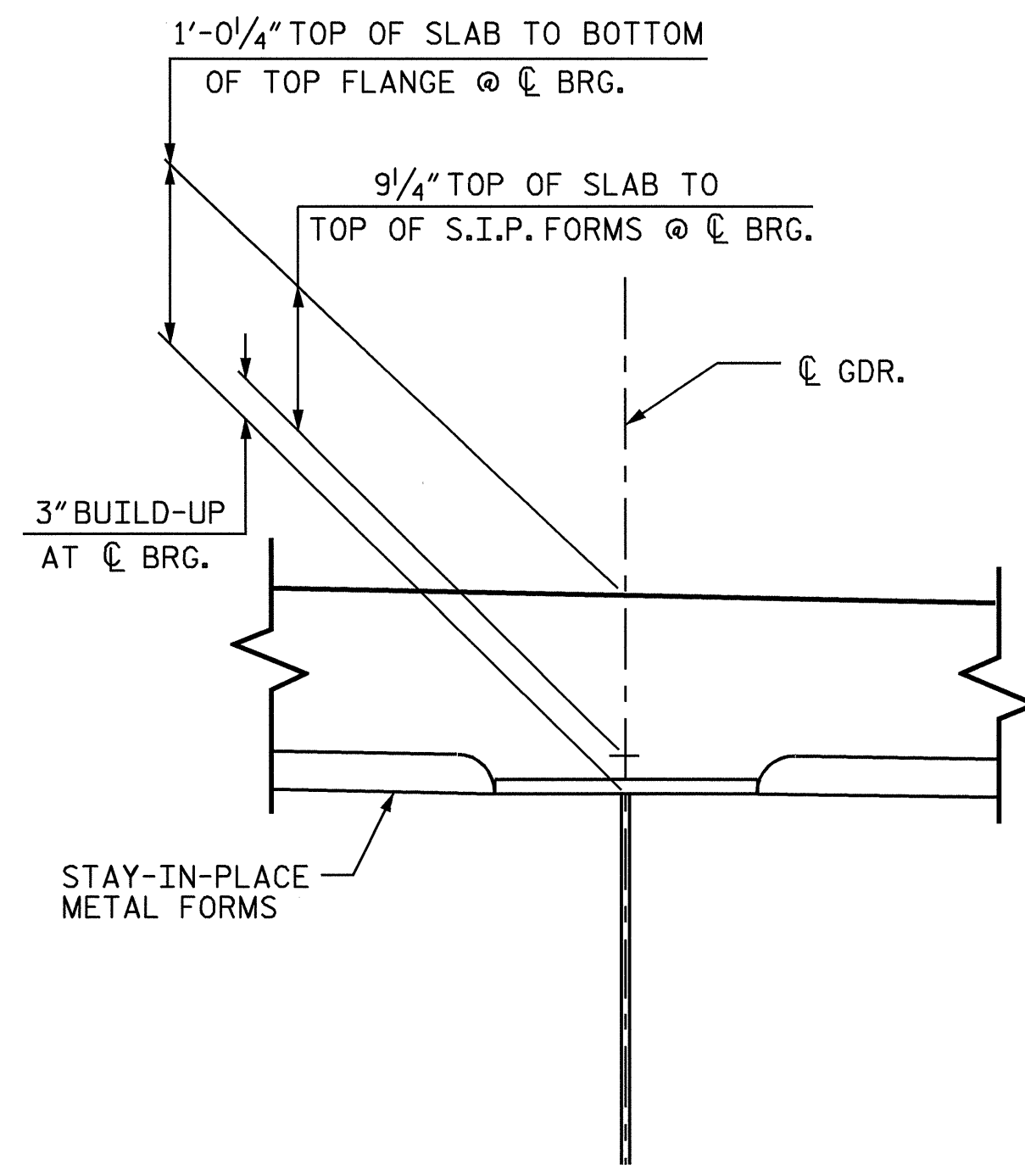


**SECTION THRU BENT**



**SECTION THRU SIDEWALK**

DOWELS MAY BE PUSHED INTO GREEN CONCRETE AFTER SPAN HAS BEEN SCREEDED OFF.

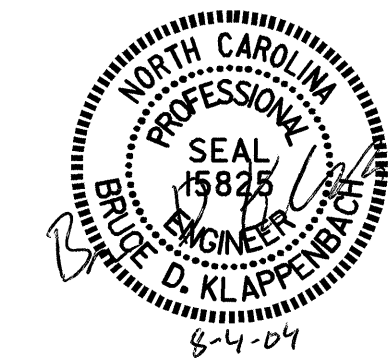


**DETAIL "A"**

PROJECT NO. U-0620  
CUMBERLAND COUNTY  
STATION: 161+95.29 -L-

SHEET 2 OF 2

STATE OF NORTH CAROLINA  
DEPARTMENT OF TRANSPORTATION  
RALEIGH  
SUPERSTRUCTURE  
TYPICAL SECTION  
DETAILS  
(LEFT LANE)



DRAWN BY : M. G. SHAIKH DATE : 10-01-03  
CHECKED BY : D. A. GLADDEN DATE : 12-30-03

REVISIONS						SHEET NO. 5-54
NO.	BY:	DATE:	NO.	BY:	DATE:	
1			3			TOTAL SHEETS 129
2			4			