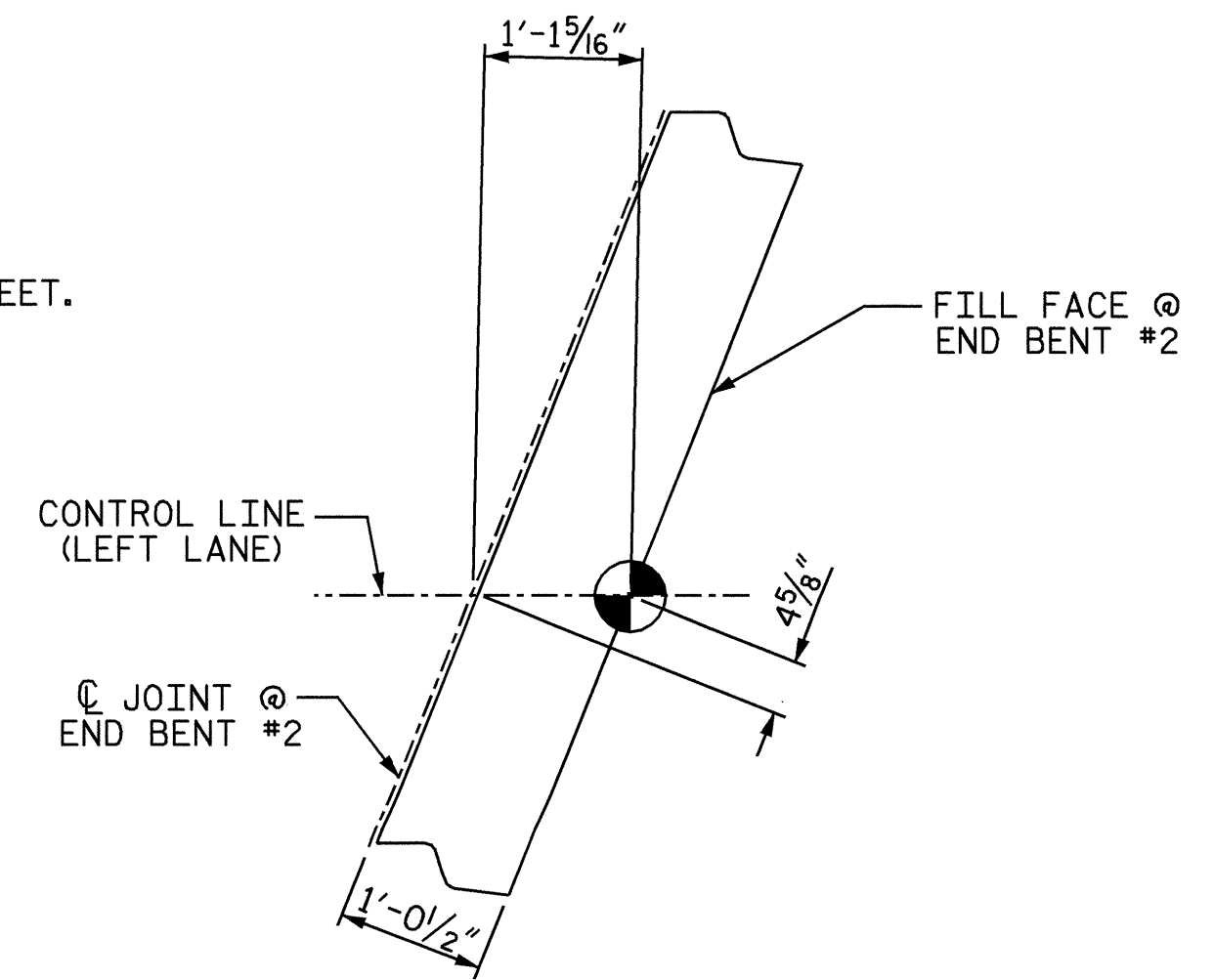


PLAN OF SPAN "B"

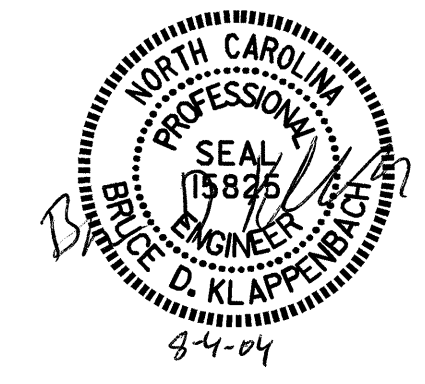
FOR POURING SEQUENCE, SEE "SUPERSTRUCTURE BILL OF MATERIAL" SHEET.



DETAIL "D"

PROJECT NO. U-0620
CUMBERLAND COUNTY
 STATION: 161+95.29 -L-

STATE OF NORTH CAROLINA
 DEPARTMENT OF TRANSPORTATION
 RALEIGH
**SUPERSTRUCTURE
 PLAN OF SPAN "B"
 (LEFT LANE)**



DRAWN BY: M. G. SHAIKH DATE: 10-21-03
 CHECKED BY: D. A. GLADDEN DATE: 12-30-03

REVISIONS						SHEET NO. S-56
NO.	BY:	DATE:	NO.	BY:	DATE:	
1			3			TOTAL SHEETS 129
2			4			