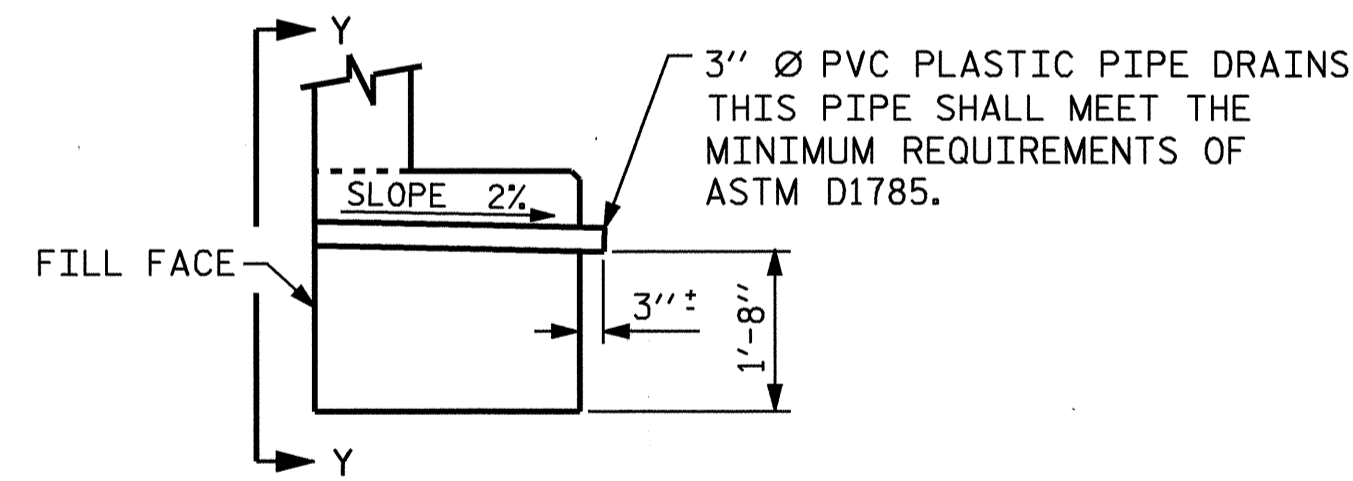
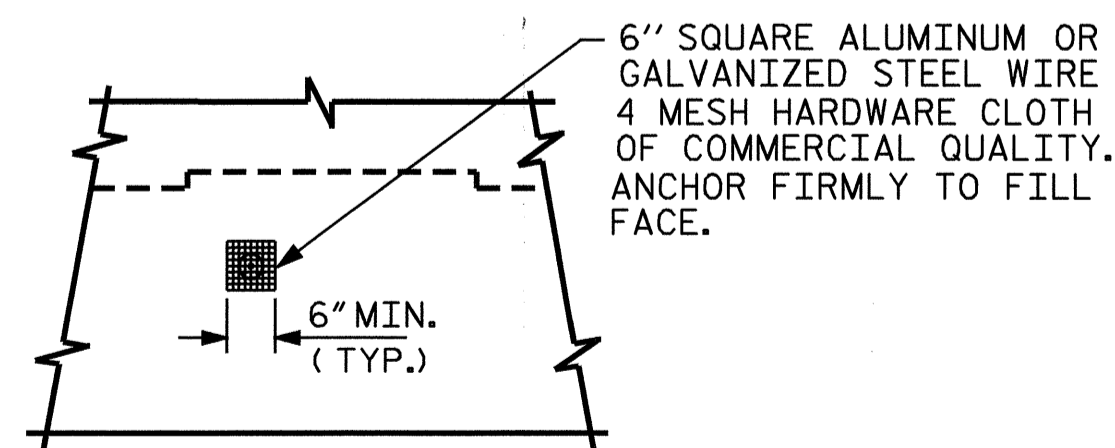


SECTION A-A



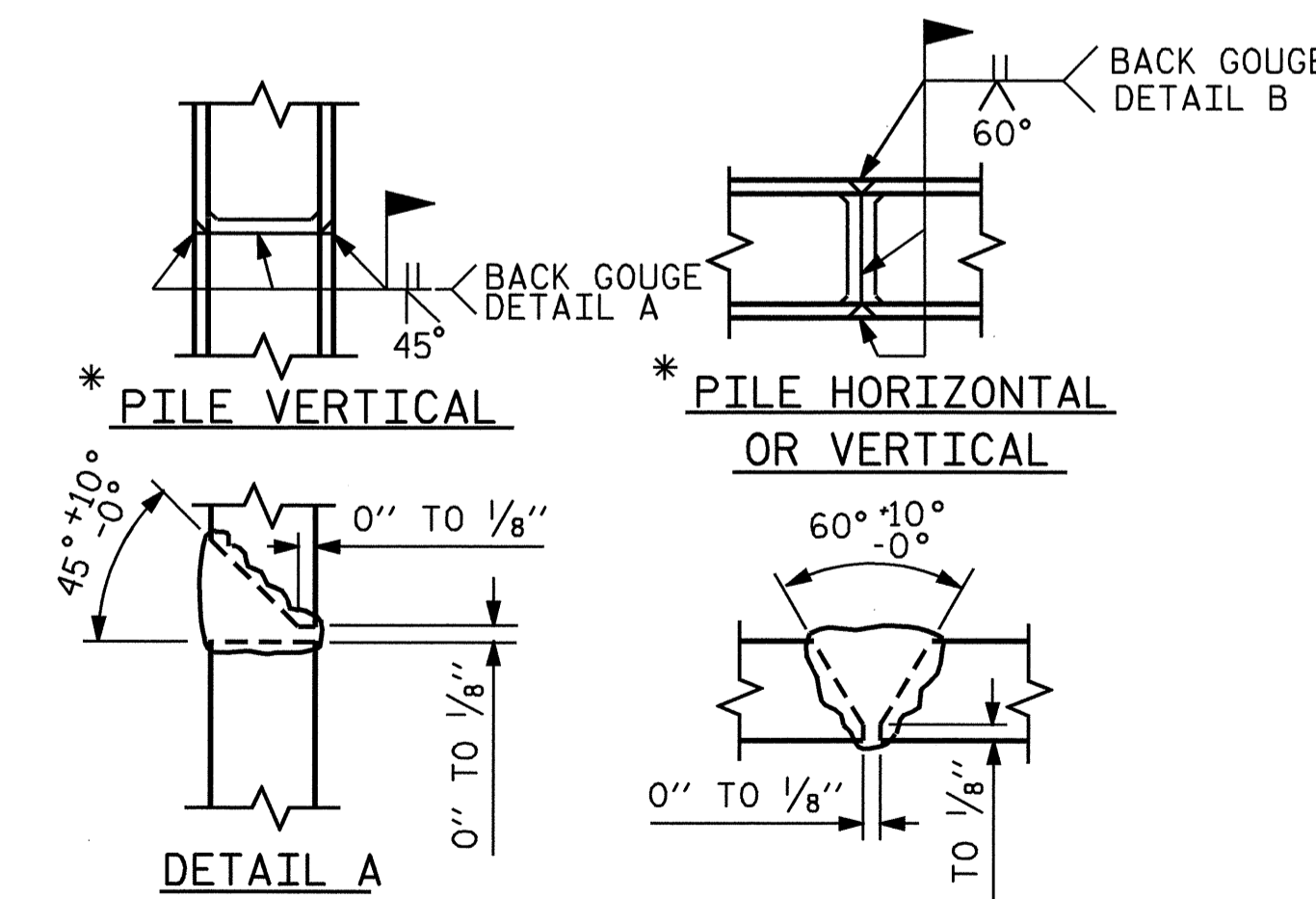
SECTION THRU CAP



VIEW Y-Y

NOTE: NO SEPARATE PAYMENT WILL BE MADE FOR FURNISHING AND INSTALLING THE PVC PLASTIC PIPE DRAINS, HARDWARE CLOTH AND FASTENERS. THE ENTIRE COST OF THIS WORK SHALL BE INCLUDED IN THE UNIT CONTRACT PRICE BID FOR THE SEVERAL PAY ITEMS.

PIPE DRAIN DETAILS

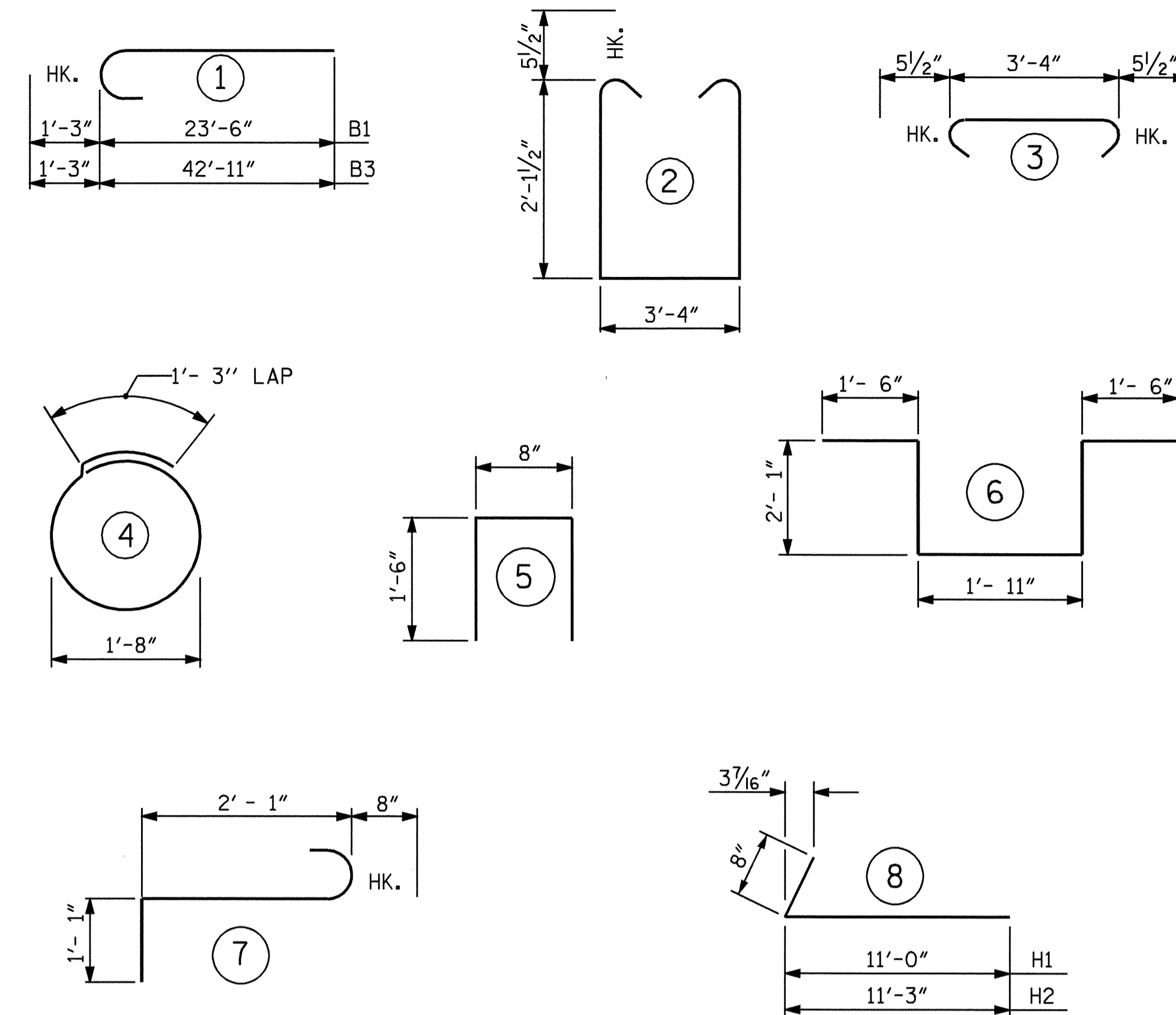


* POSITION OF PILE DURING WELDING.

PILE SPLICE DETAILS

BAR TYPES

ALL BAR DIMENSIONS ARE OUT TO OUT.



BILL OF MATERIAL

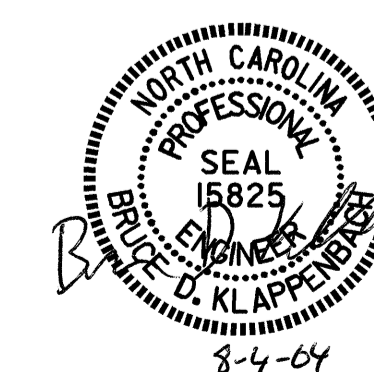
REINFORCING STEEL BAR SCHEDULE					
BAR	NO.	SIZE	TYPE	LENGTH	WEIGHT
B1	5	9	1	24- 9	421
B2	5	9	STR	47- 3	803
B3	5	9	1	44- 2	751
B4	5	9	STR	22-10	388
B5	2	5	STR	56- 4	118
B6	8	4	STR	29- 8	159
B7	13	4	STR	3- 4	29
H1	11	5	8	11- 8	134
H2	11	5	8	11-11	137
K1	12	5	STR	55- 2	690
K2	4	5	STR	4- 3	18
K3	1	5	STR	8-10	9
K4	1	5	STR	9- 1	9
S1	59	5	2	8- 6	523
S2	59	5	3	4- 3	262
S3	16	4	4	6- 6	69
S4	1	6	6	9- 1	14
S5	3	6	7	3-10	17
U1	41	4	5	3- 8	100
V1	82	5	STR	8- 1	691
V2	16	5	STR	9- 6	159
V3	6	5	STR	9- 5	59
V4	6	5	STR	9- 4	58
V5	18	5	STR	9- 3	174
REINFORCING STEEL (LBS.)					5,792
CLASS A CONCRETE (CU.YDS.)					
POUR #1					= 19.6
POUR #2					= 14.6
TOTAL					= 34.2
HP12 X 53 STEEL PILES					
NO. 11 LIN.FT. 715					

PROJECT NO. U-0620
CUMBERLAND COUNTY
 STATION: 161+95.29 -L-

SHEET 3 OF 3

STATE OF NORTH CAROLINA
 DEPARTMENT OF TRANSPORTATION
 RALEIGH

SUBSTRUCTURE
 END BENT 1
 (LEFT LANE)



REVISIONS					SHEET NO.
NO.	BY:	DATE:	NO.	BY:	DATE:
1			3		
2			4		

STR #2

DRAWN BY: G.M.Patterson DATE: 11/12/03
 CHECKED BY: D.A. GLADDEN DATE: 01/29/04