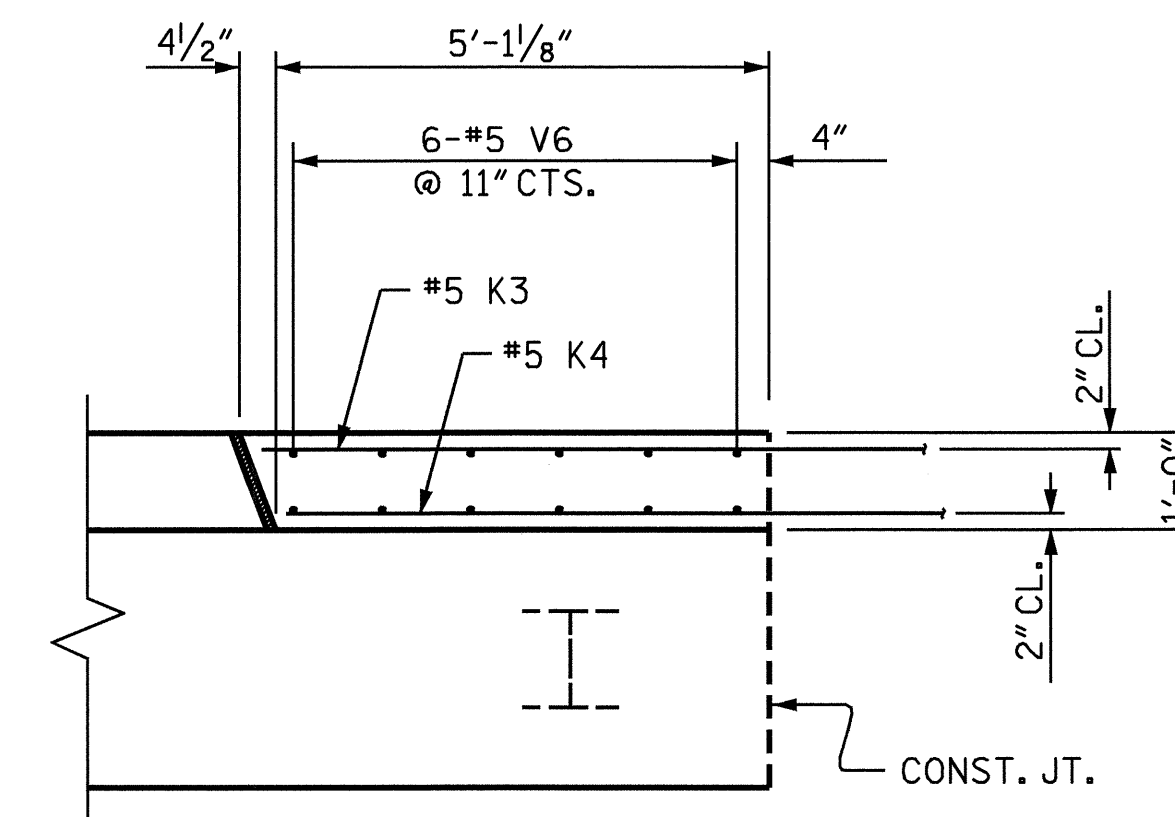
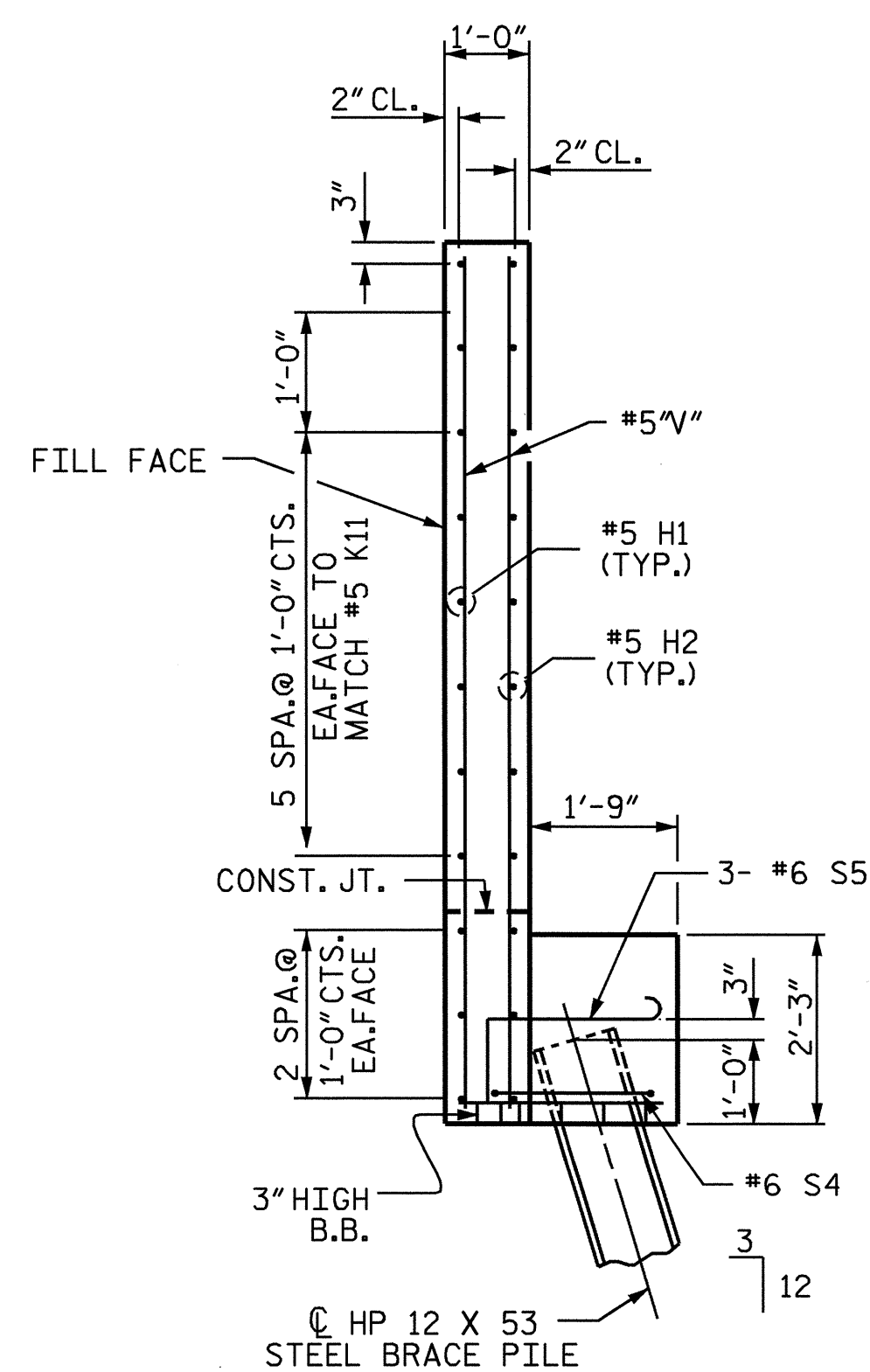


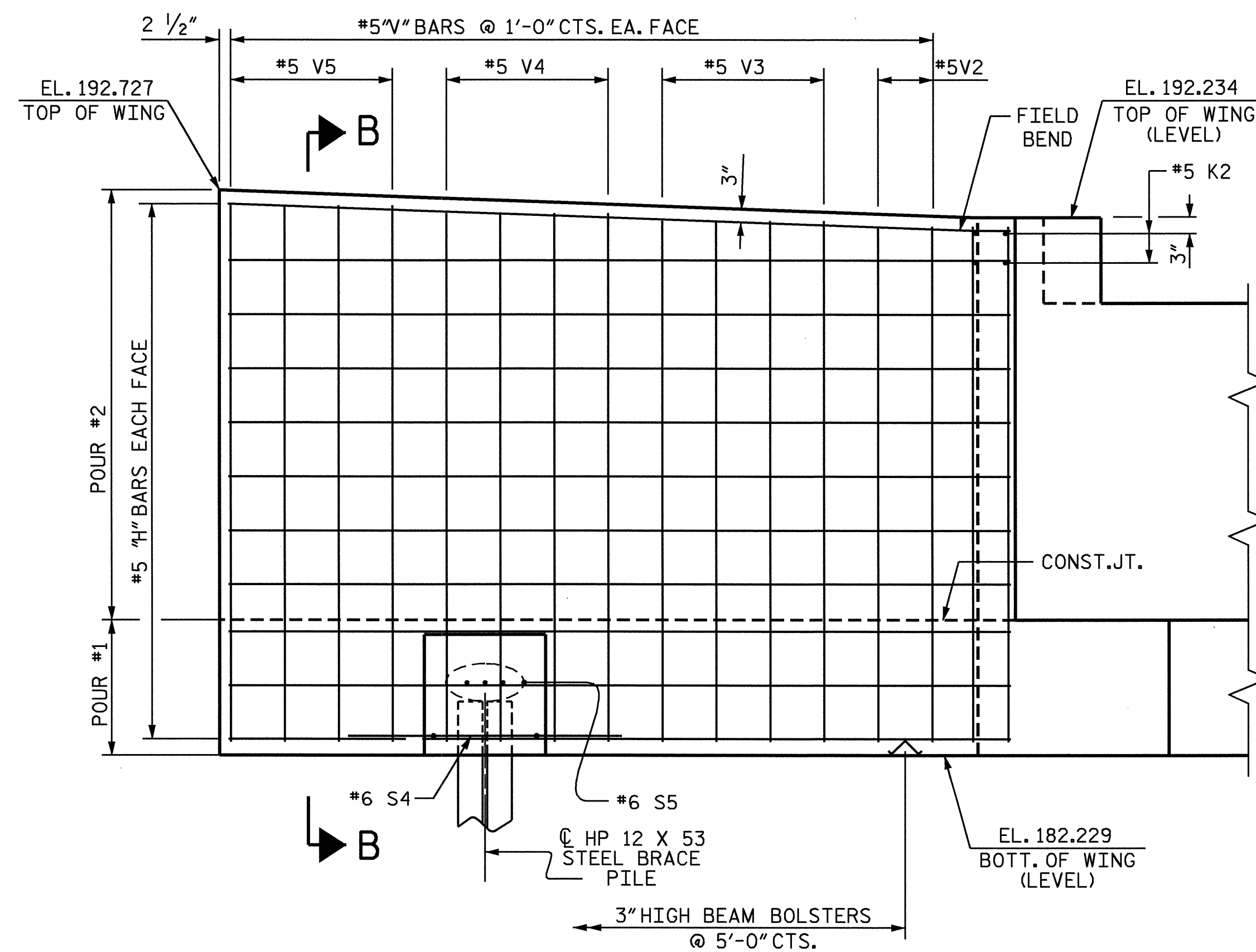
PLAN OF LEFT WING



PLAN OF RIGHT WING

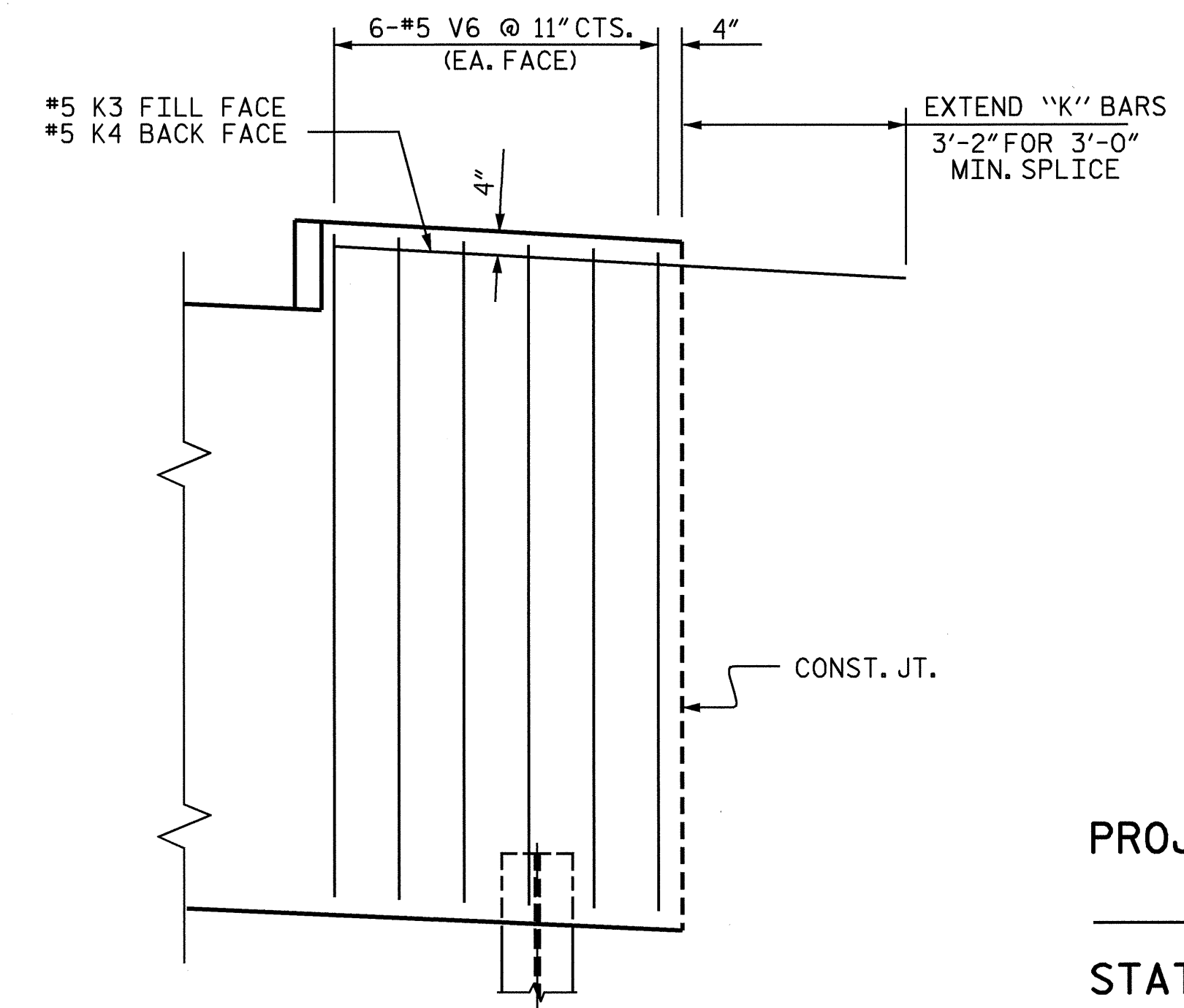


SECTION B-B



ELEVATION OF RIGHT WING

(TOP OF WING PILE ELEV. = 183.229)



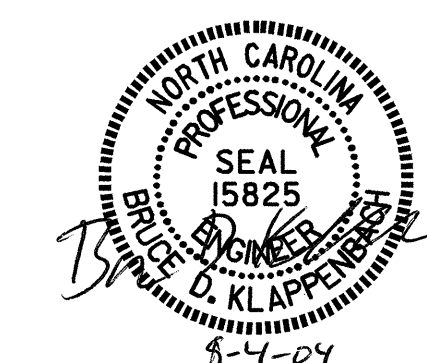
ELEVATION OF RIGHT WING

PROJECT NO. U-0620
CUMBERLAND COUNTY
STATION: 161+95.29 -L-

SHEET 2 OF 3

STATE OF NORTH CAROLINA
DEPARTMENT OF TRANSPORTATION
RALEIGH

SUBSTRUCTURE
END BENT 2
(LEFT LANE)



DRAWN BY: G.M.Patterson DATE: 11-12-03
CHECKED BY: D.A. GLADDEN DATE: 01-29-04

27-JUL-2004 07:58
W:\squad\U0620\Str2and3\mpatterson\Microstation\U0620.sd.e2.02.dgn
bkappenbach

REVISIONS						SHEET NO.
NO.	BY:	DATE:	NO.	BY:	DATE:	6-00
1			3			TOTAL SHEETS
2			4			129

STR #2