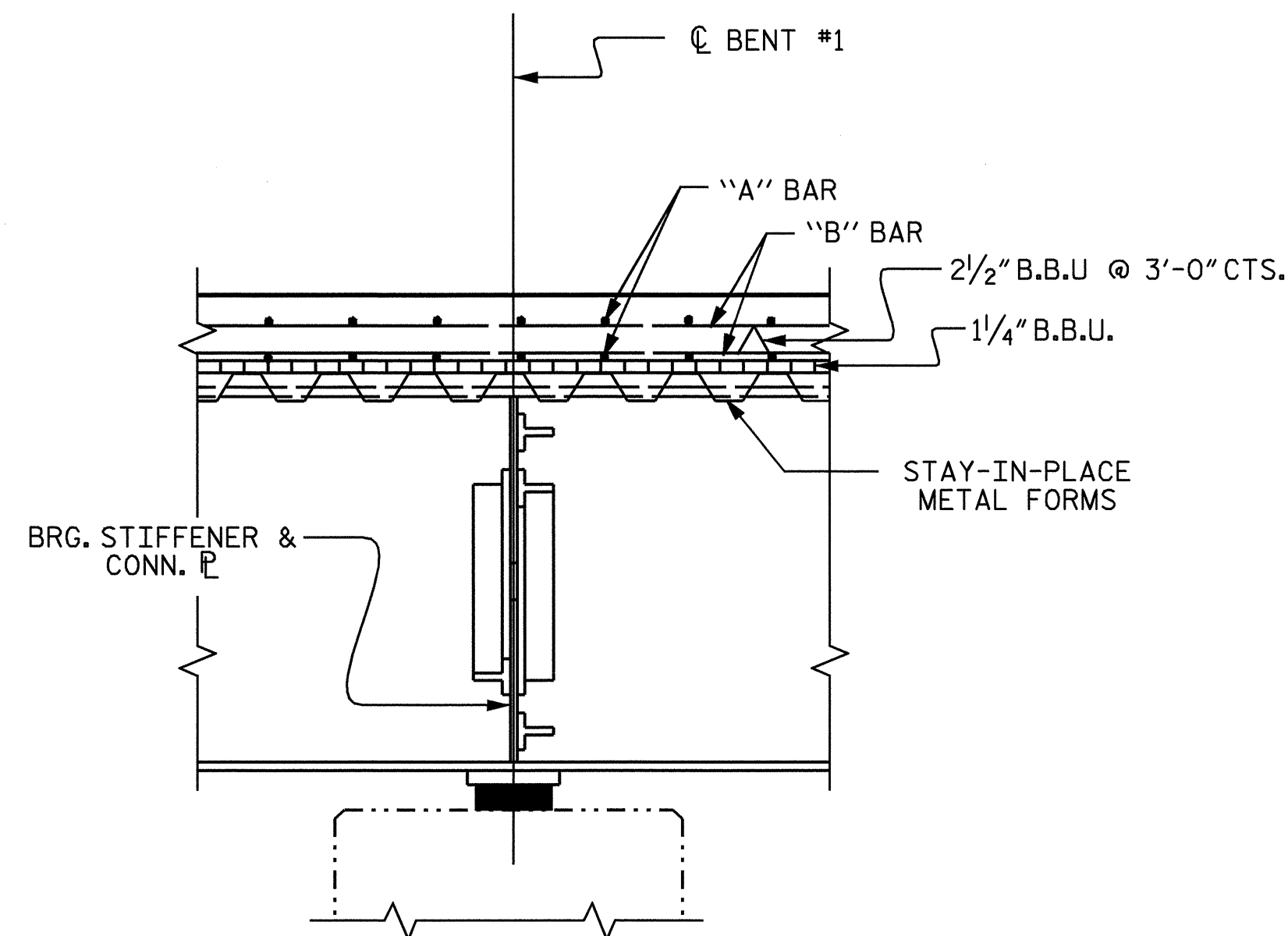
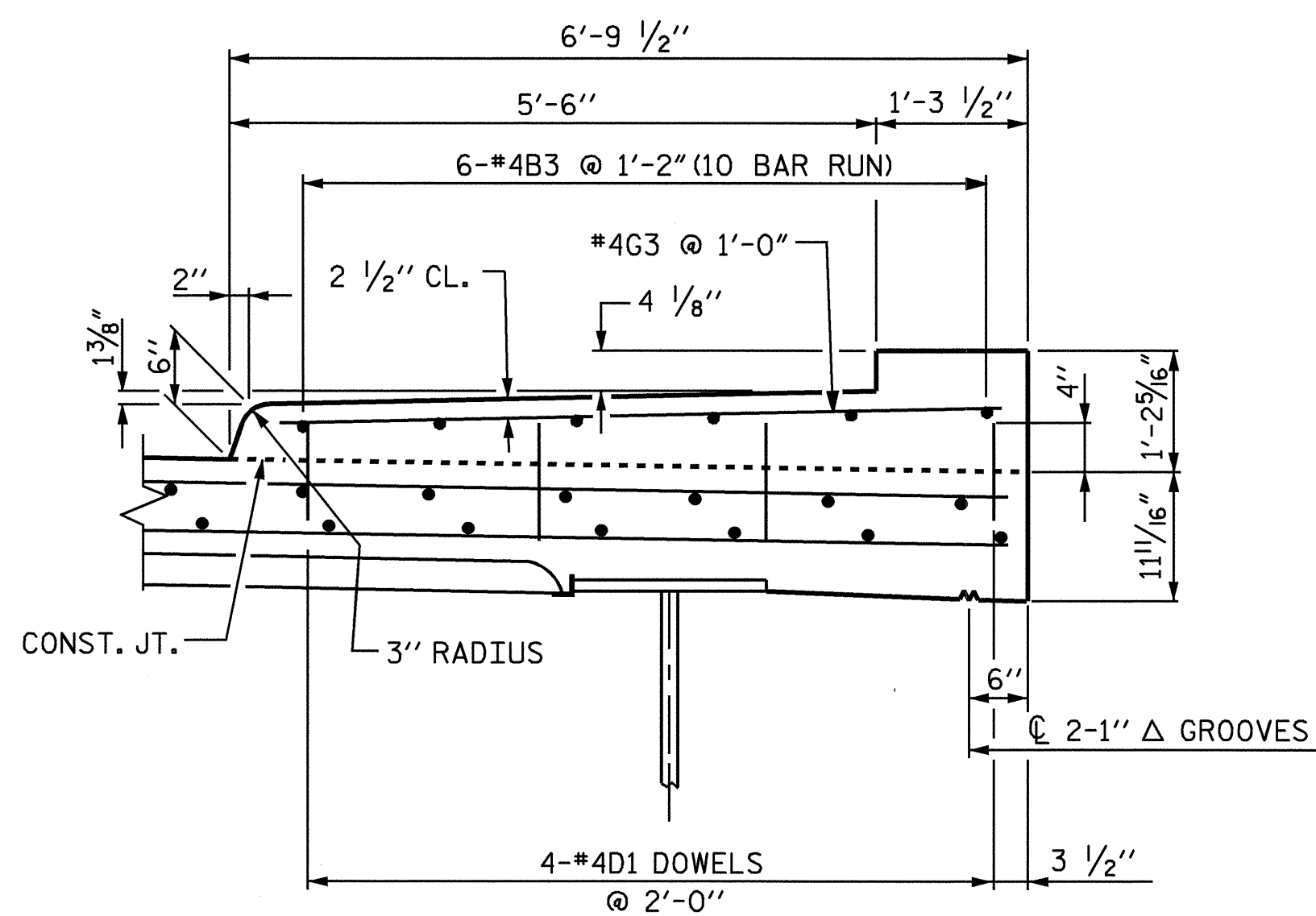


SECTION THRU END BENT

**#5 'G' BAR MAY BE SHIFTED SLIGHTLY, AS NECESSARY, TO CLEAR REINFORCING STEEL.

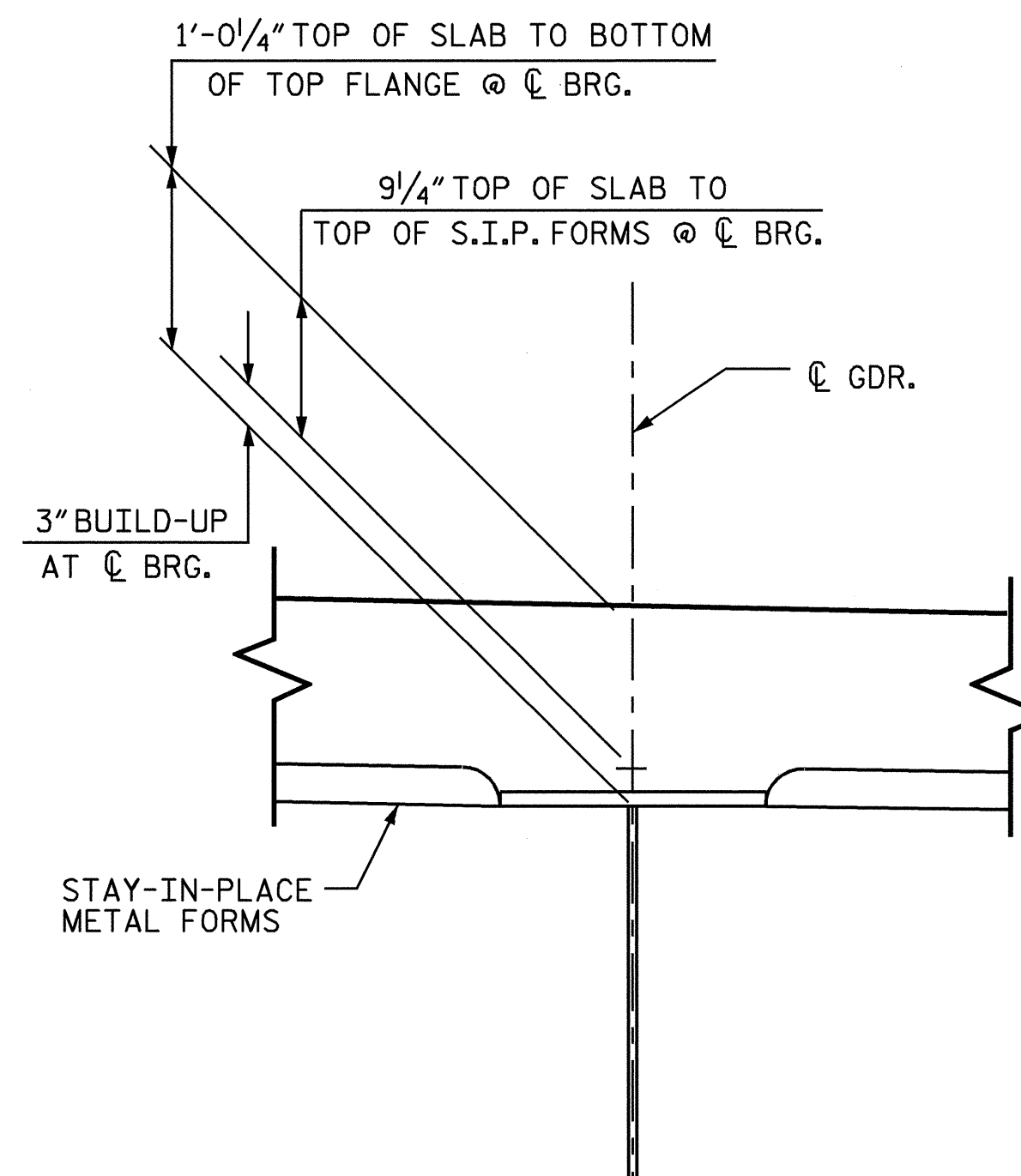


SECTION THRU BENT



SECTION THRU SIDEWALK

DOWELS MAY BE PUSHED INTO GREEN CONCRETE AFTER SPAN HAS BEEN SCREEDED OFF.



DETAIL "A"

PROJECT NO. U-0620
CUMBERLAND COUNTY
 STATION: 161+95.29 -L-

SHEET 2 OF 2

STATE OF NORTH CAROLINA
 DEPARTMENT OF TRANSPORTATION
 RALEIGH
 SUPERSTRUCTURE
 TYPICAL SECTION
 DETAILS
 (RIGHT LANE)



REVISIONS						SHEET NO.
NO.	BY:	DATE:	NO.	BY:	DATE:	5-95
1			3			TOTAL SHEETS
2			4			129

DRAWN BY : M. G. SHAIKH DATE : 11-14-03
 CHECKED BY : D. A. GLADDEN DATE : 12-30-03