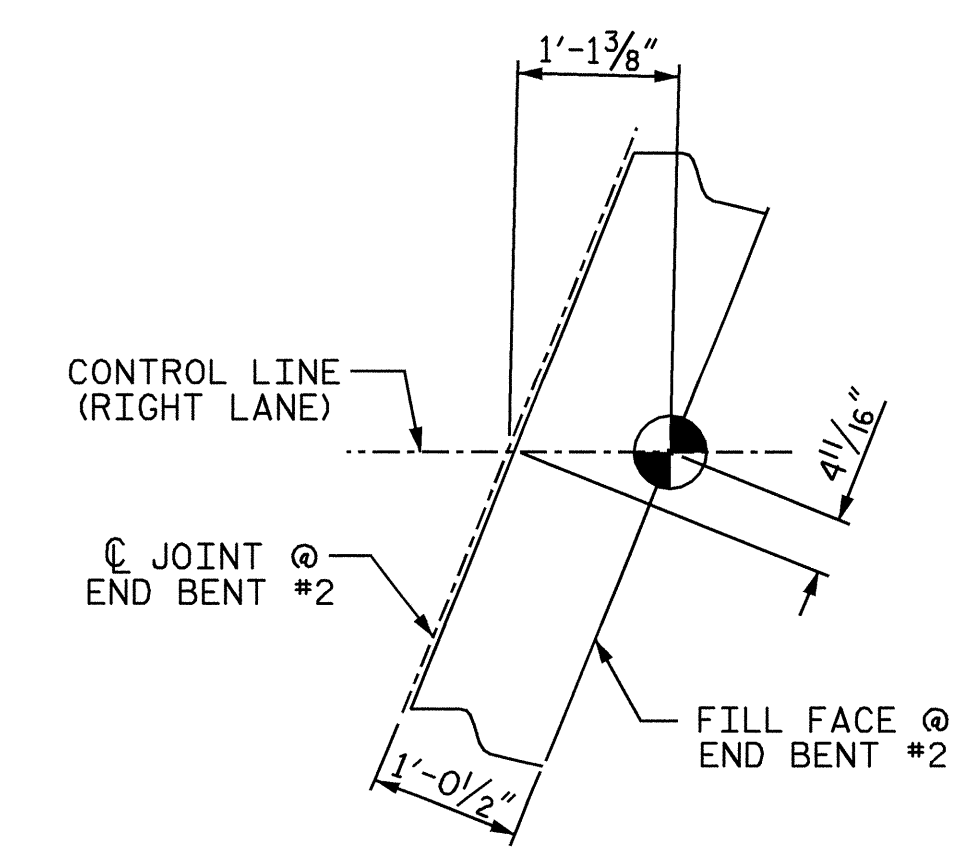


PLAN OF SPAN "B"

FOR POURING SEQUENCE, SEE "SUPERSTRUCTURE BILL OF MATERIAL" SHEET.

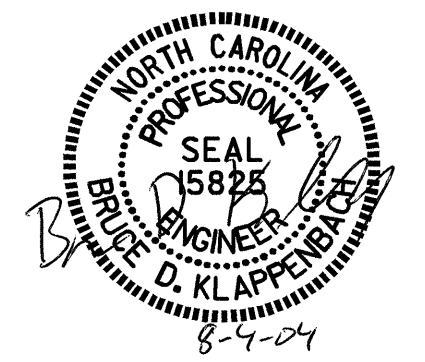


DETAIL "D"

PROJECT NO. U-0620
 CUMBERLAND COUNTY
 STATION: 161+95.29 -L-

STATE OF NORTH CAROLINA
 DEPARTMENT OF TRANSPORTATION
 RALEIGH

**SUPERSTRUCTURE
 PLAN OF SPAN "B"
 (RIGHT LANE)**



DRAWN BY: M. G. SHAIKH DATE: 11-17-03
 CHECKED BY: D. A. GLADDEN DATE: 12-30-03

| REVISIONS | | | | | | SHEET NO. 5-97 |
|-----------|-----|-------|-----|-----|-------|---------------------|
| NO. | BY: | DATE: | NO. | BY: | DATE: | |
| 1 | | | 3 | | | TOTAL SHEETS 129 |
| 2 | | | 4 | | | |