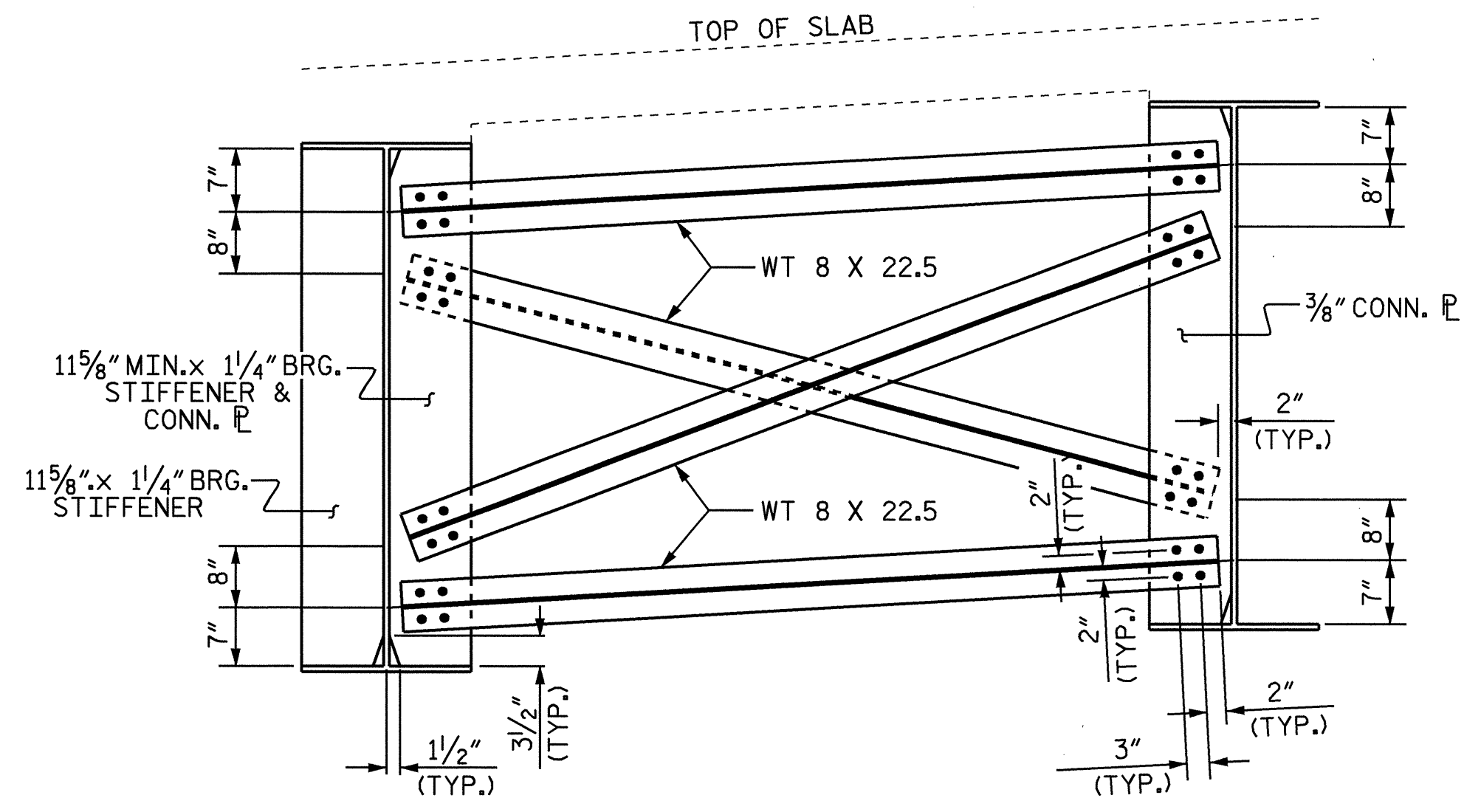
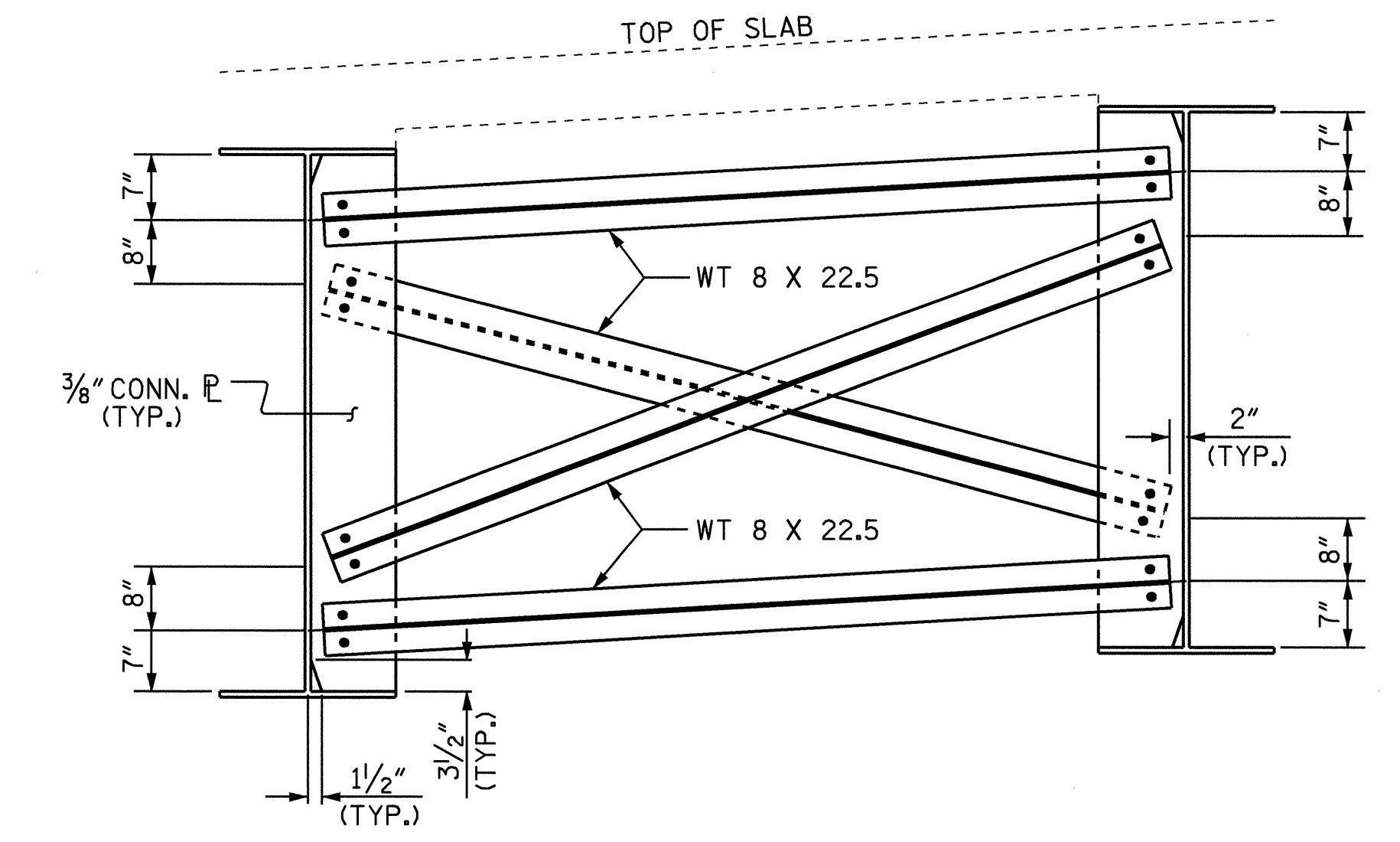


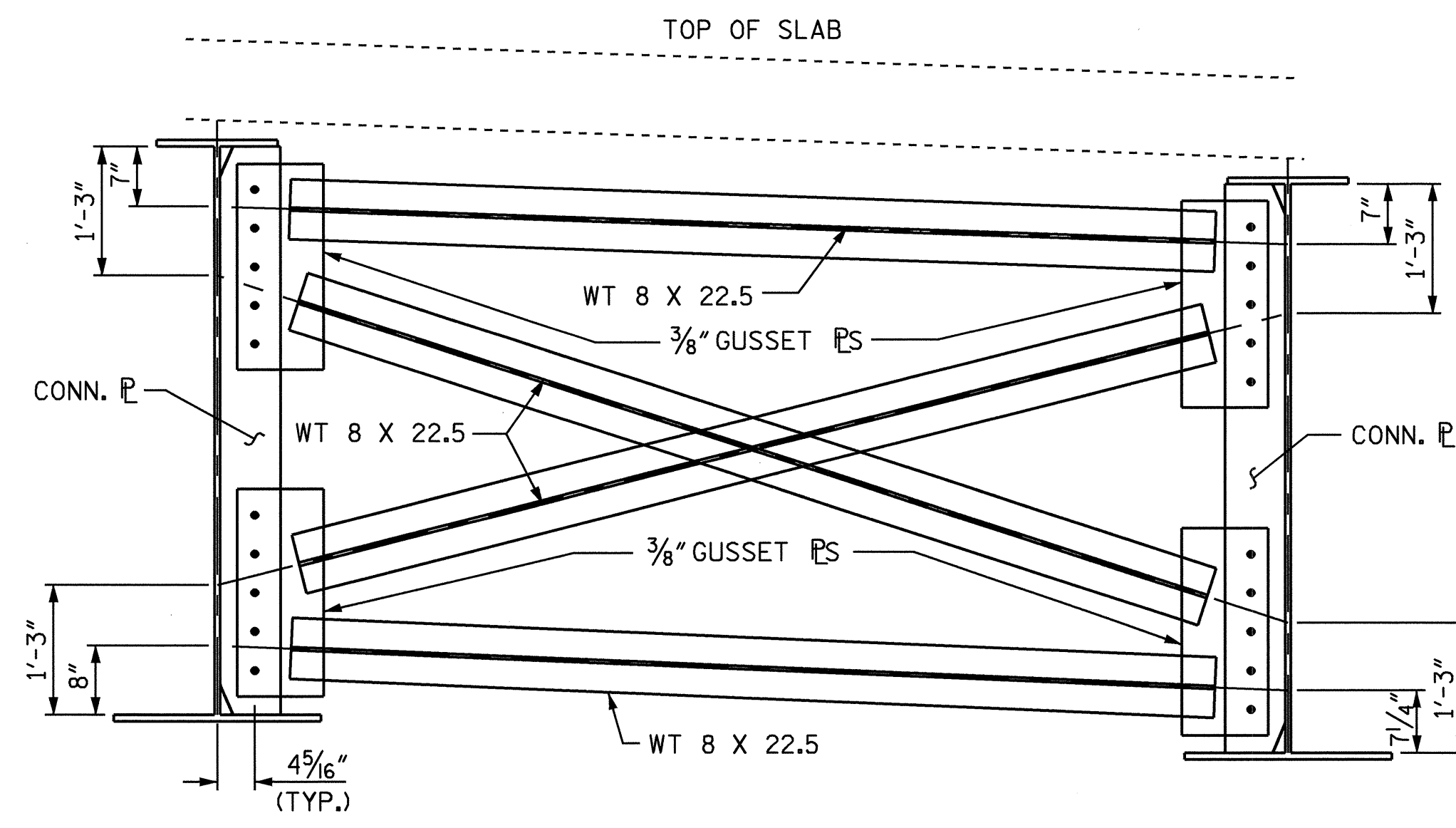
END BENT DIAPHRAGM (D1)



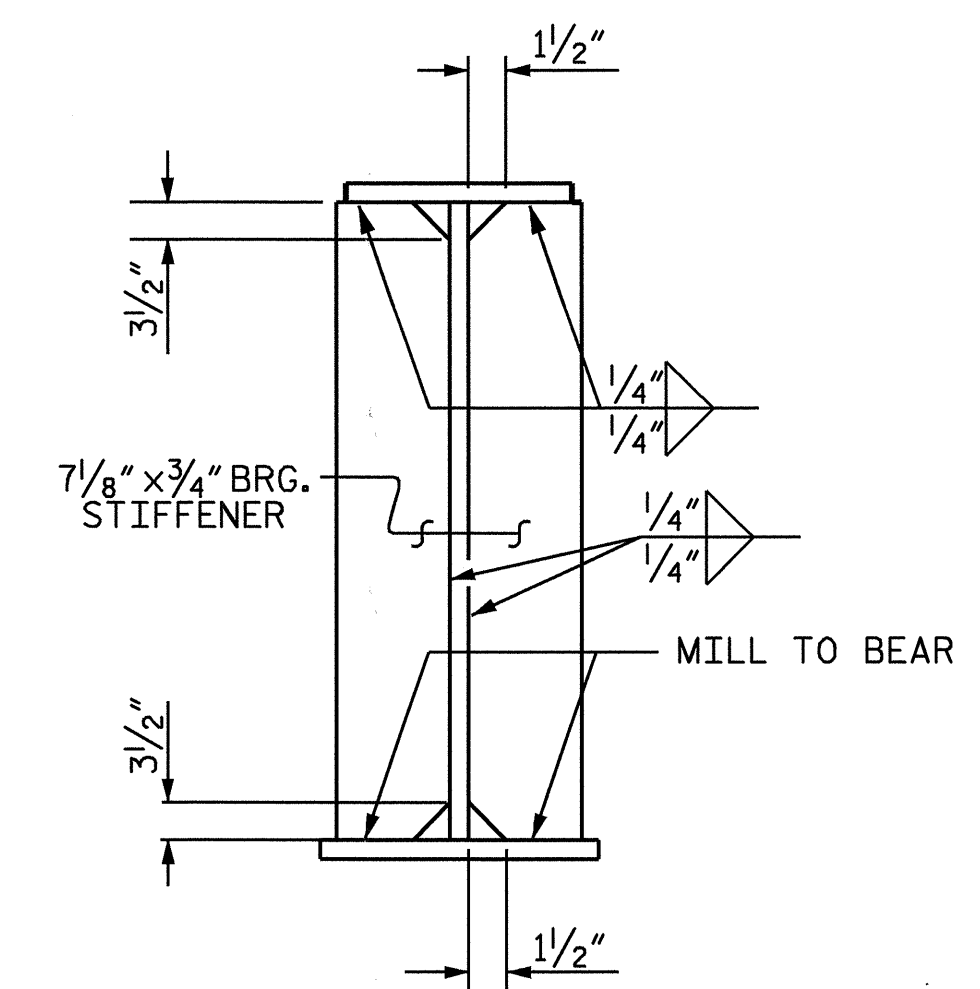
BENT DIAPHRAGM (D2)



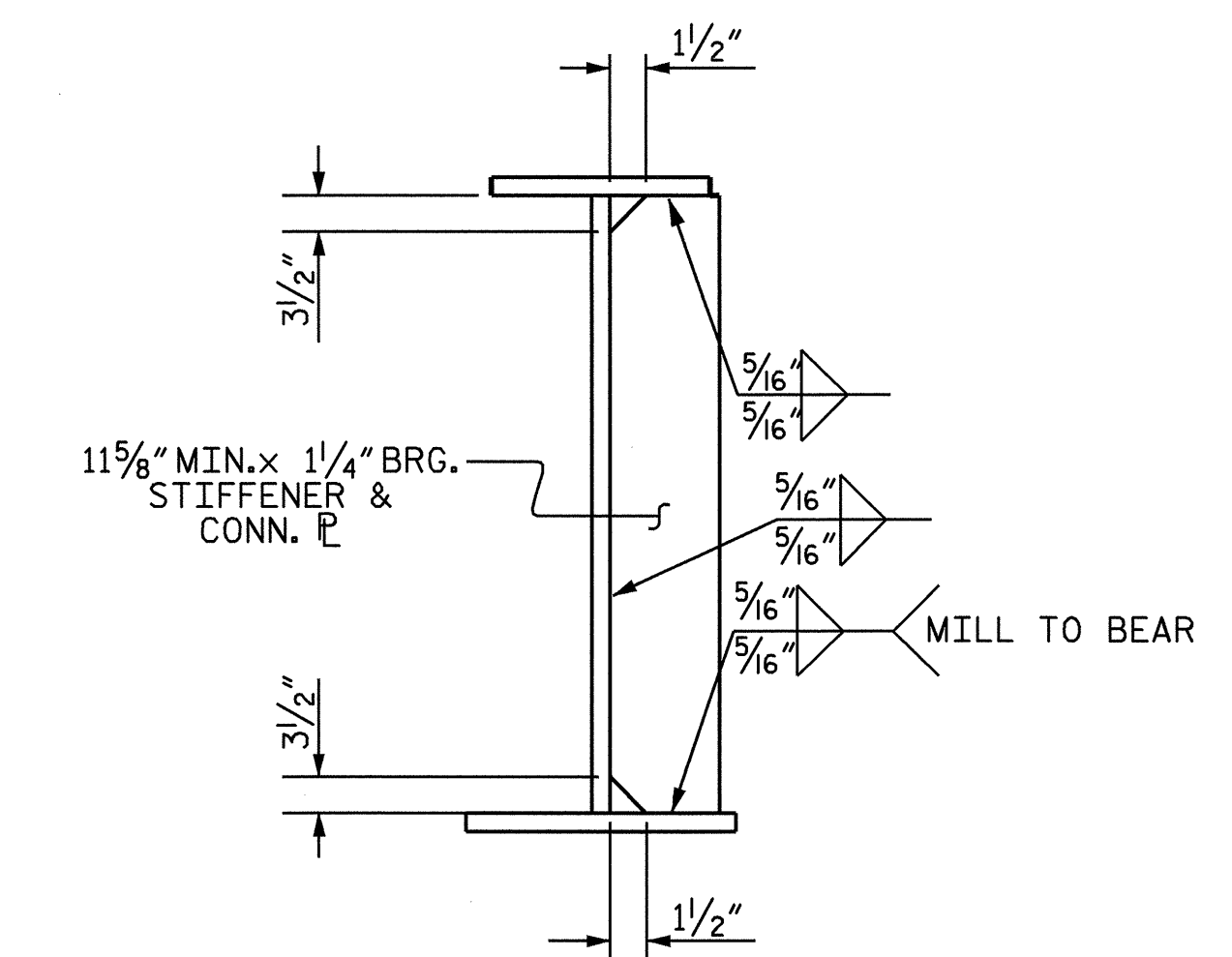
INTERMEDIATE DIAPHRAGM (D3)



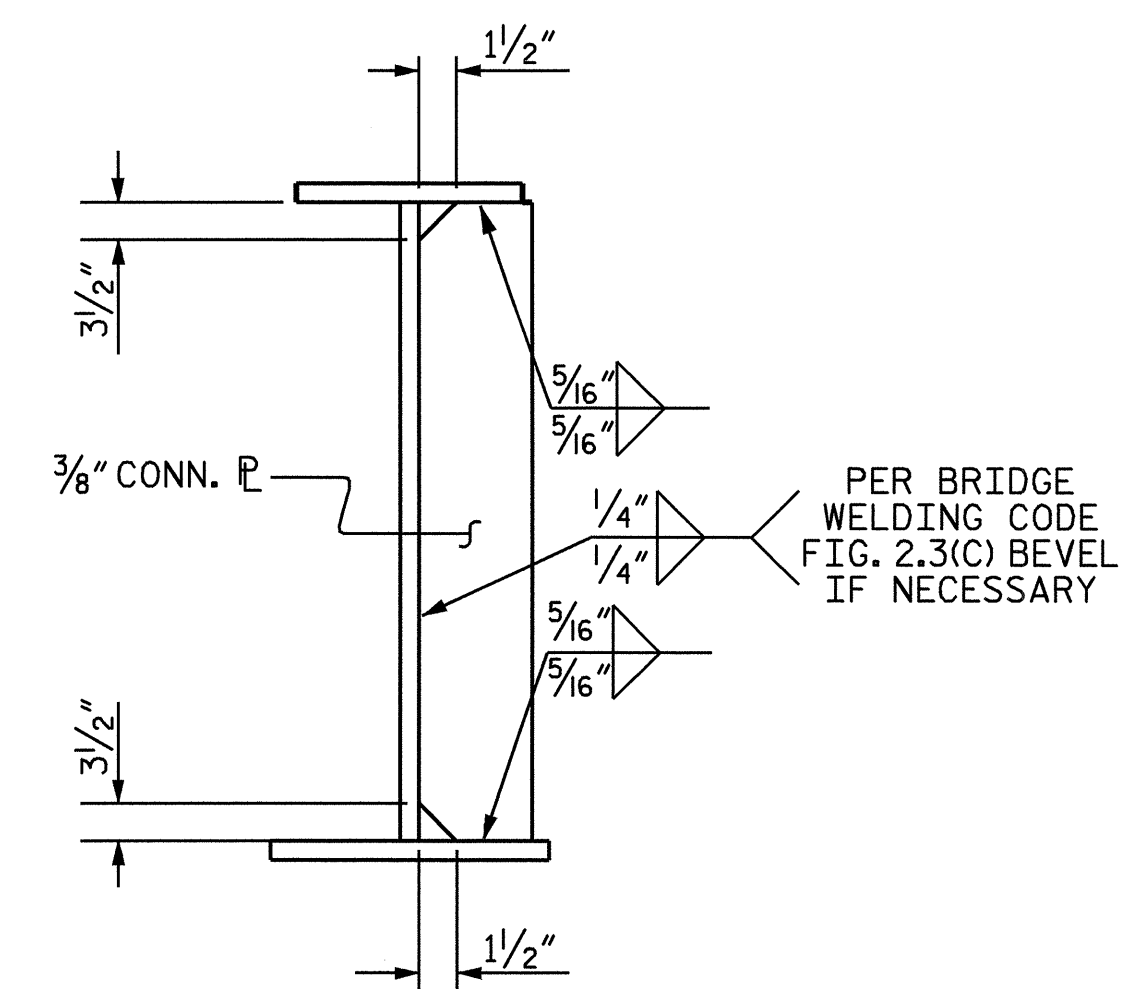
OPTIONAL INTERMEDIATE DIAPHRAGM OVER RR TRAFFIC



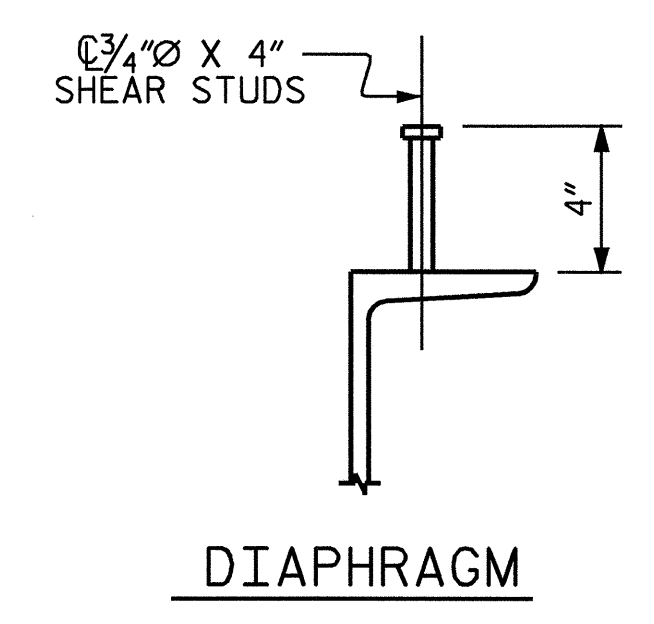
BEARING STIFFENER AT END BENT DIAPHRAGMS



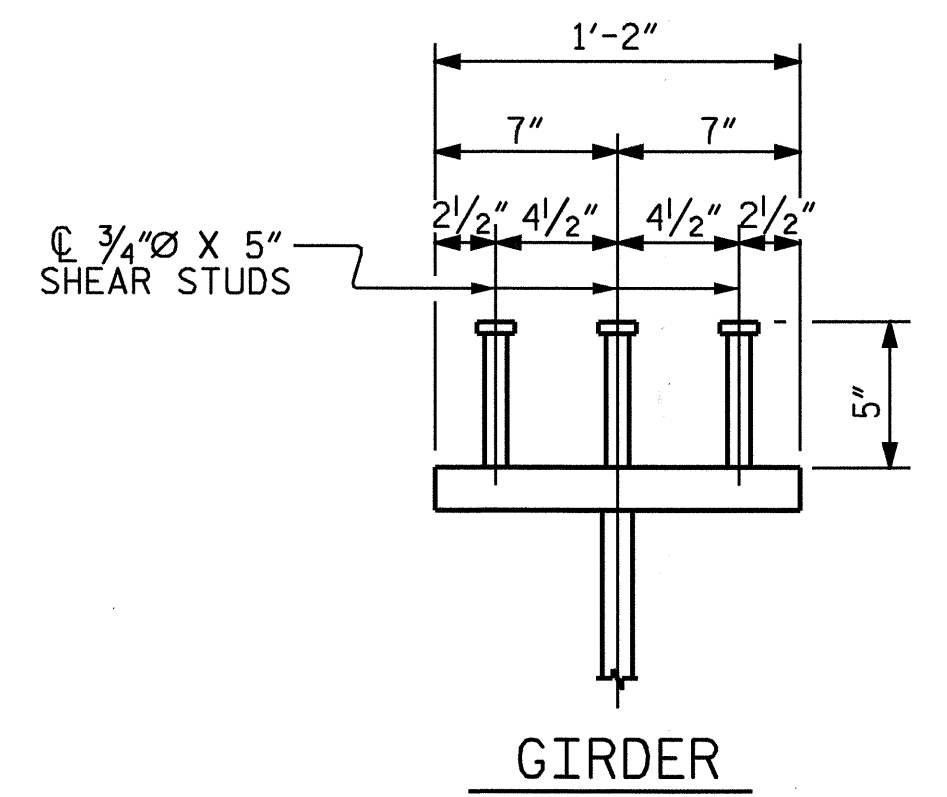
BEARING STIFFENER/CONNECTOR PLATE AT BENT DIAPHRAGMS



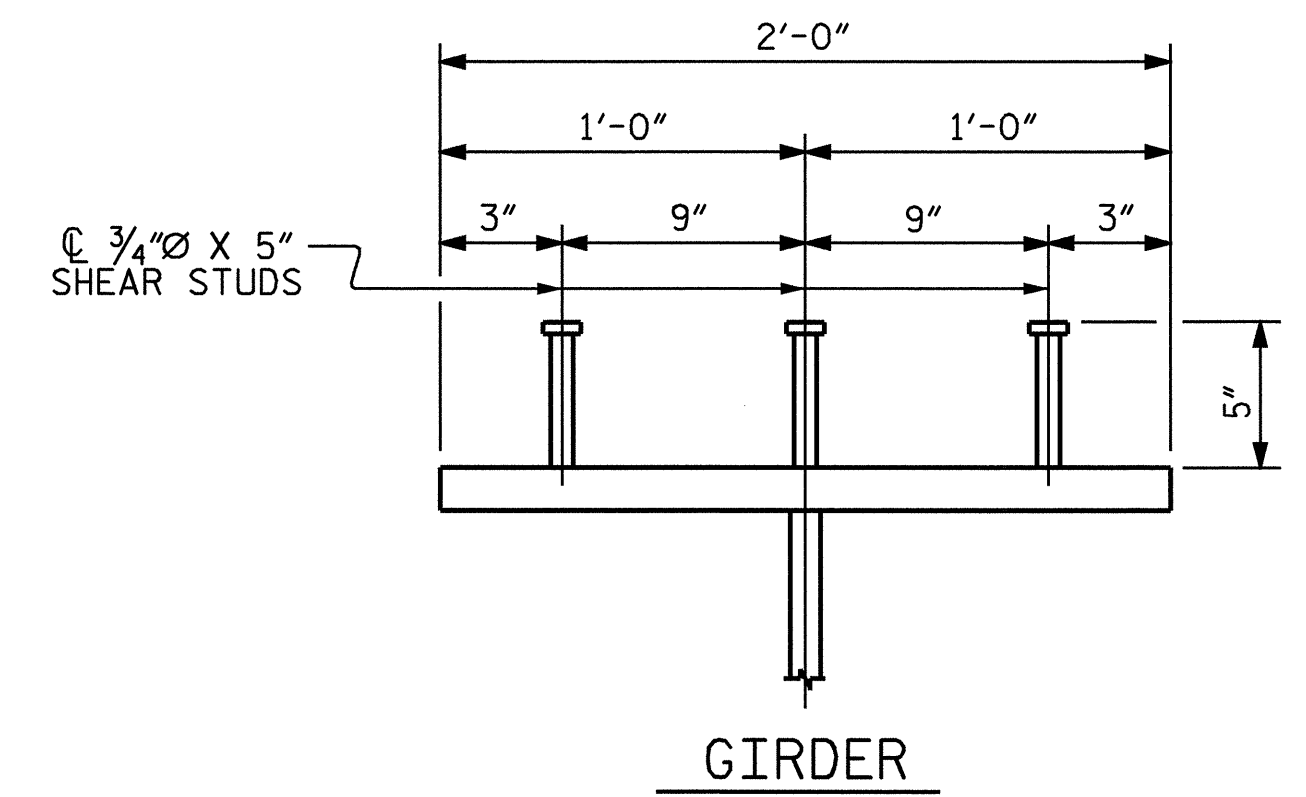
CONNECTOR PLATE



DIAPHRAGM



GIRDER



GIRDER

SHEAR STUD DETAILS

PROJECT NO. U-0620
CUMBERLAND COUNTY
 STATION: 161+95.29 -L-

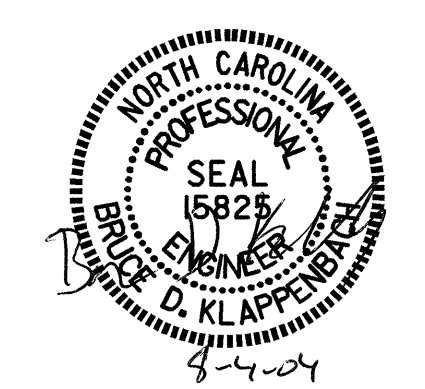
SHEET 2 OF 4

STATE OF NORTH CAROLINA
 DEPARTMENT OF TRANSPORTATION
 RALEIGH

**SUPERSTRUCTURE
 STRUCTURAL STEEL
 DETAILS
 (RIGHT LANE)**

REVISIONS					SHEET NO.
NO.	BY:	DATE:	NO.	BY:	DATE:
1			3		
2			4		

TOTAL SHEETS 129



DRAWN BY : M. G. SHAIKH DATE : 11-18-03
 CHECKED BY : D. A. GLADDEN DATE : 12-30-03

27-JUL-2004 09:12
 W:\sducd\U0620\Str2and3\mshalkh\Microsoft\STR *3\U-0620_sd.SS_03.dgn
 bkappenbach