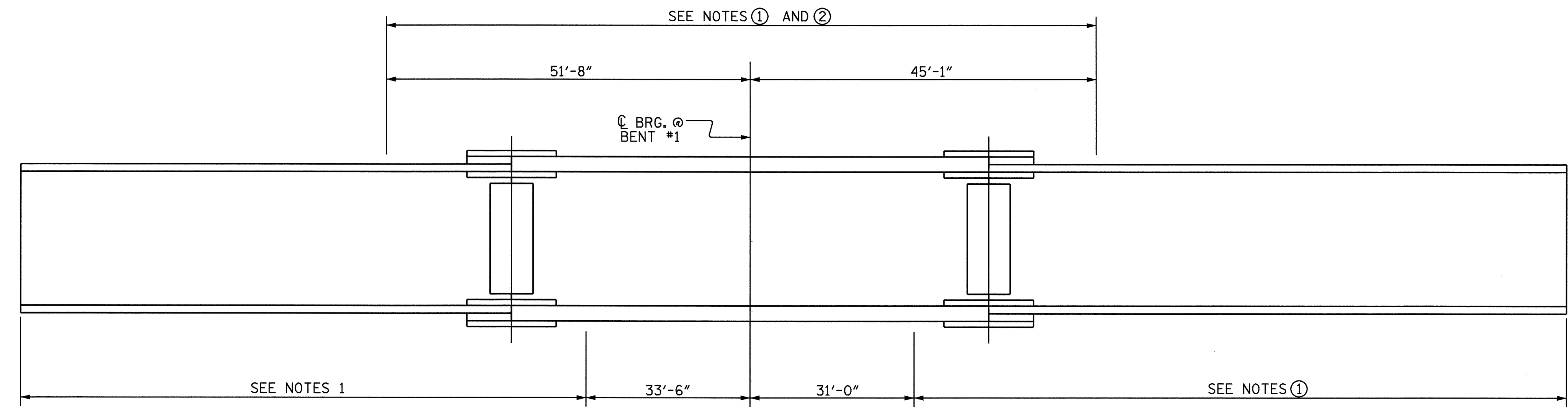


**WELD TERMINATION DETAILS**

**TYPICAL FLANGE AND WEB BUTT JOINTS**



NOTE ① : CHARPY V-NOTCH TESTS ARE REQUIRED FOR ALL TOP OR BOTTOM FLANGE PLATE WHICH FALLS WITHIN THESE LIMITS, ALL WEB PLATES, ALL MEMBERS IN THE DIAPHRAGMS AND ALL SPLICE PLATES. IF A PERMITTED SHOP FLANGE SPLICE IS NOT USED, CHARPY V-NOTCH TESTS WILL BE REQUIRED FOR THE ENTIRE FLANGE PLATE. FOR CHARPY V-NOTCH TESTS, SEE SPECIAL PROVISIONS.

NOTE ② : NO WELDING OF FORM OR FALSEWORK TO THE TOP FLANGE WILL BE PERMITTED IN THIS REGION.

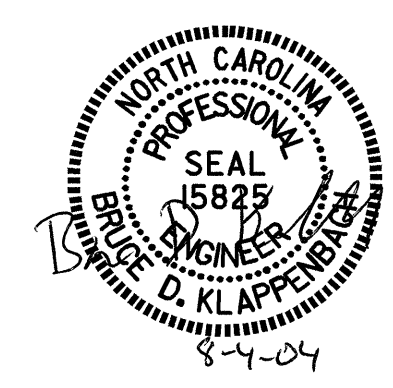
**CHARPY V-NOTCH TEST FOR GIRDERS**

PROJECT NO. U-0620  
CUMBERLAND COUNTY  
STATION: 161+95.29 -L-

SHEET 3 OF 4

STATE OF NORTH CAROLINA  
DEPARTMENT OF TRANSPORTATION  
RALEIGH

**SUPERSTRUCTURE  
STRUCTURAL STEEL  
DETAILS  
(RIGHT LANE)**



REVISIONS					SHEET NO.
NO.	BY:	DATE:	NO.	BY:	DATE:
1			3		
2			4		

TOTAL SHEETS: 127

DRAWN BY : M. G. SHAIKH DATE : 11-19-03  
CHECKED BY : D. A. GLADDEN DATE : 12-30-03