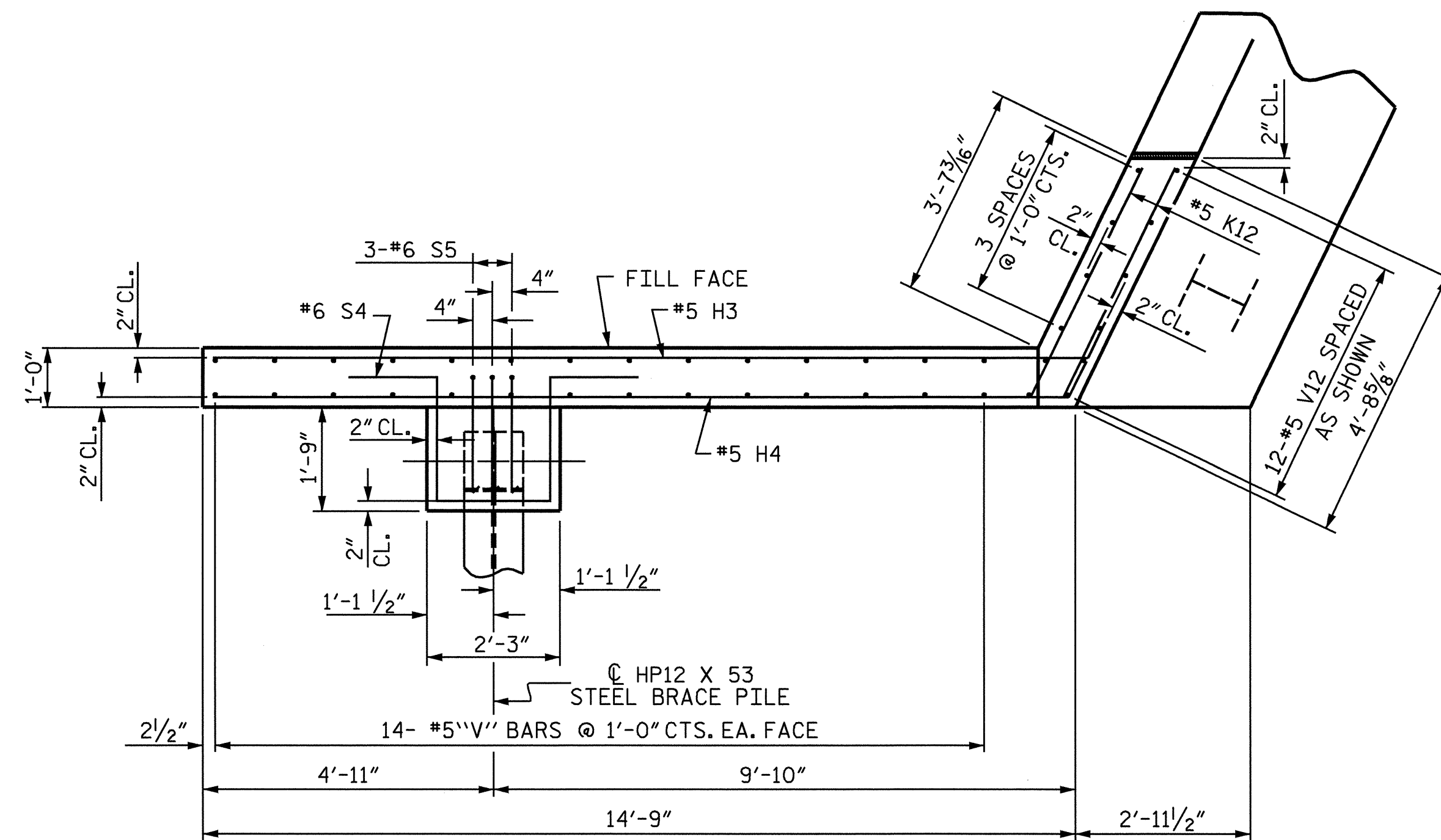
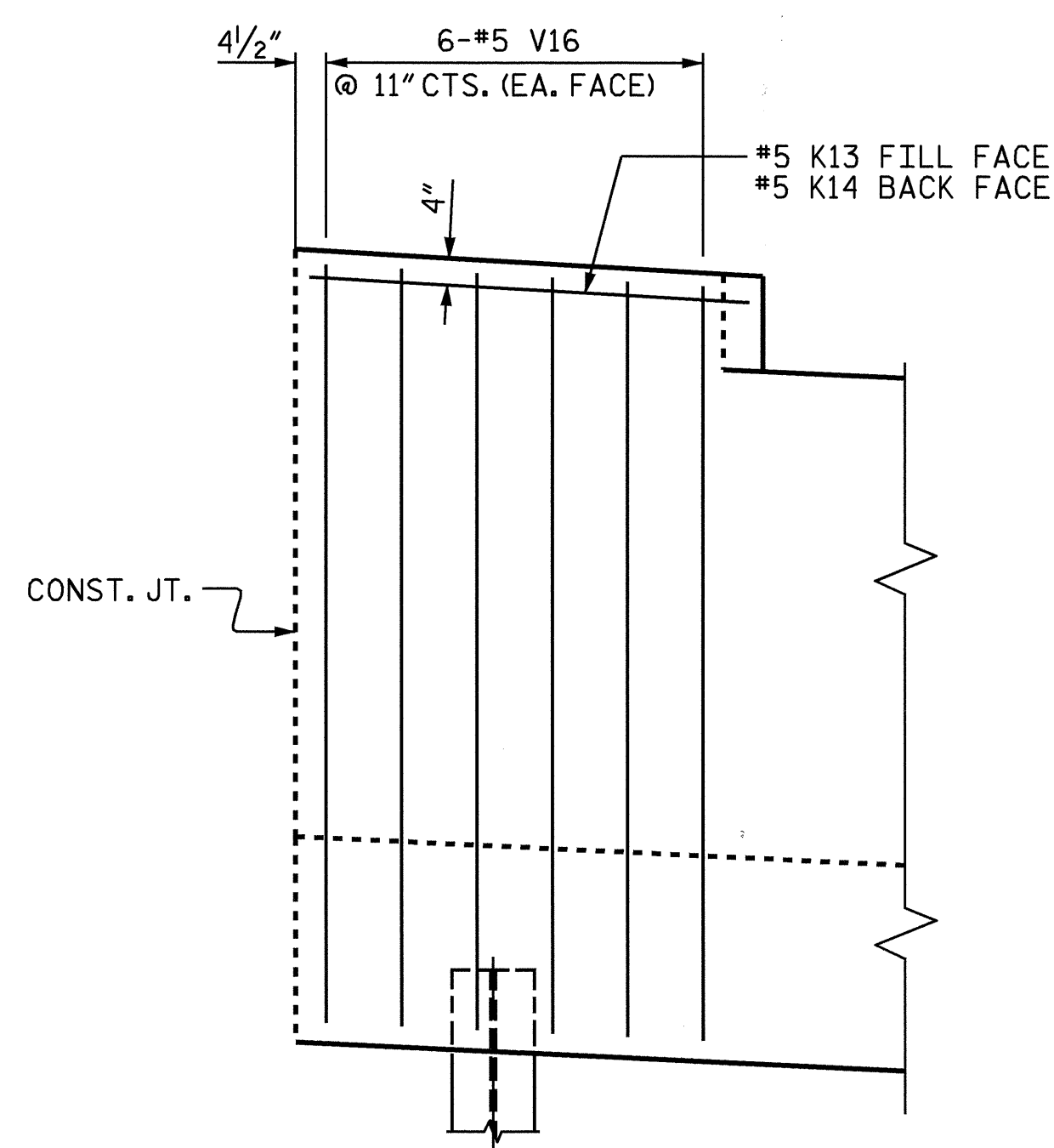


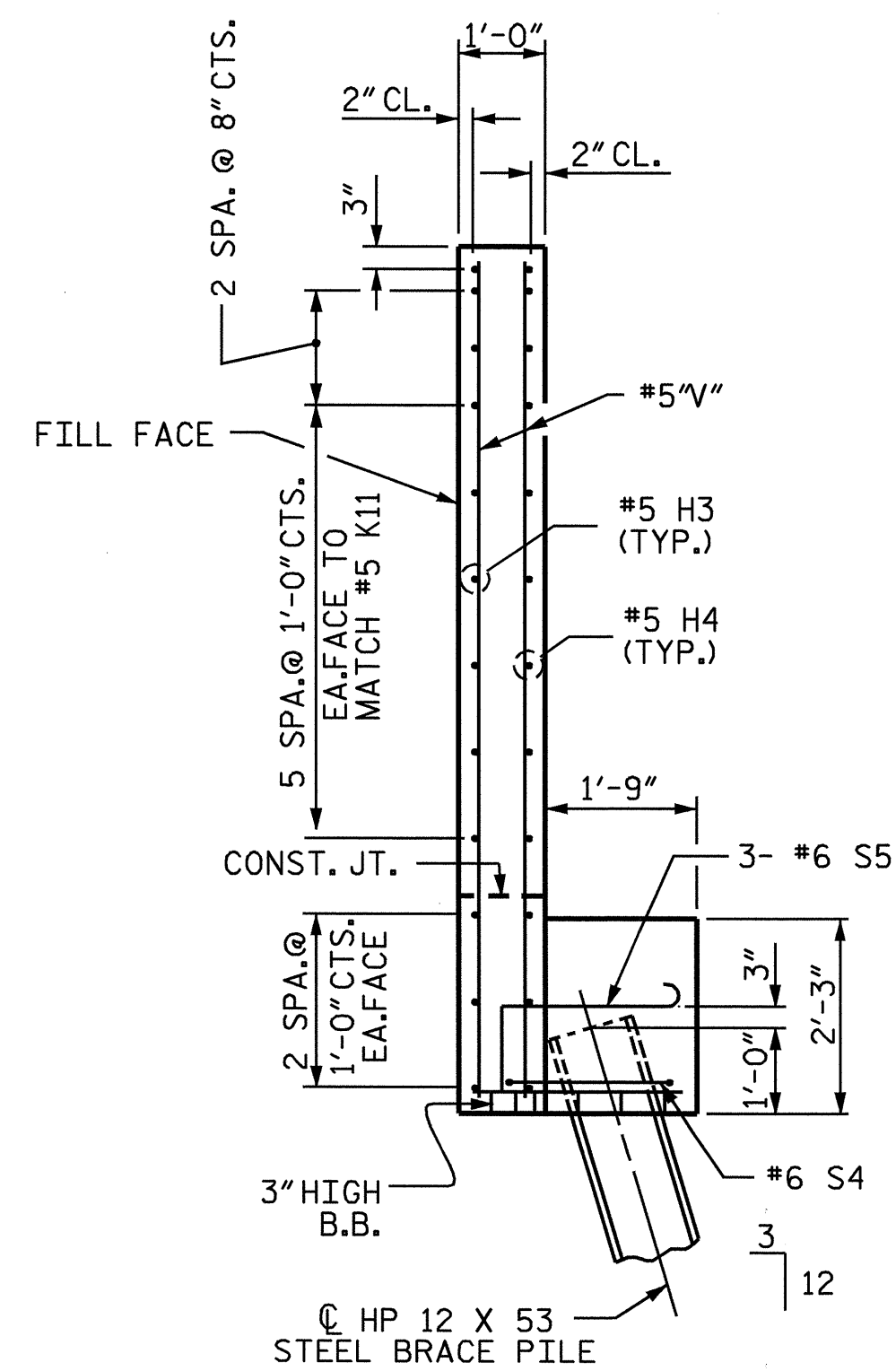
PLAN OF LEFT WING



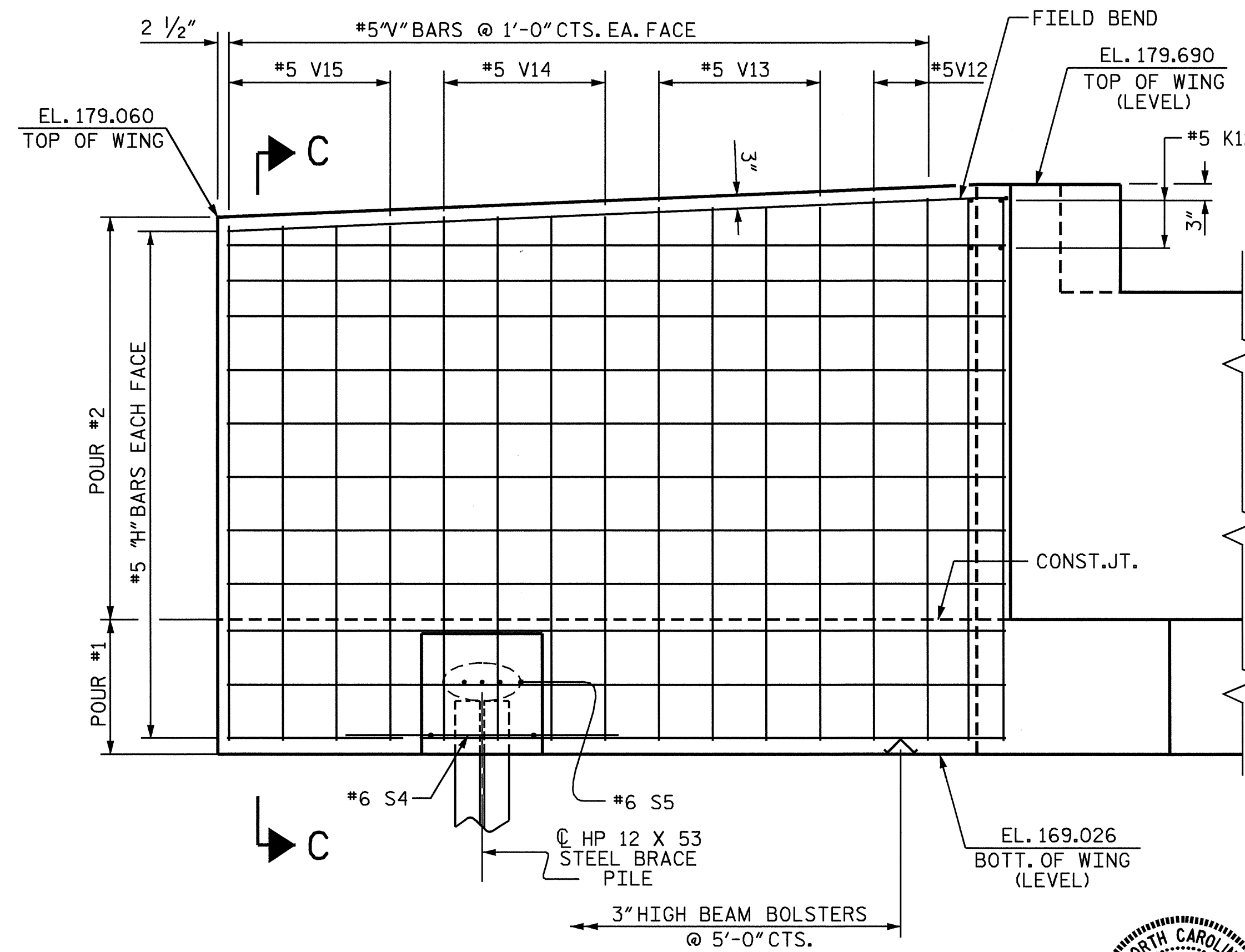
PLAN OF RIGHT WING



ELEVATION OF LEFT WING



SECTION C-C



ELEVATION OF RIGHT WING

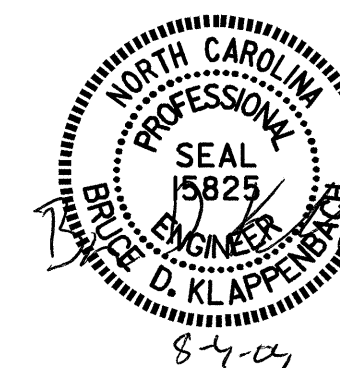
(TOP OF WING PILE ELEV. = 170.026)

PROJECT NO. U-0620
CUMBERLAND COUNTY
 STATION: 161+95.29 -L-

SHEET 2 OF 3

STATE OF NORTH CAROLINA
 DEPARTMENT OF TRANSPORTATION
 RALEIGH

SUBSTRUCTURE
 END BENT 1
 (RIGHT LANE)



DRAWN BY : G.M.Patterson DATE : 11-12-03
 CHECKED BY : D.A. GLADDEN DATE : 01-29-04

27-JUL-2004 09:06
 W:\squad\U0620\Str2and3\mpatterson\Microstation\U0620.ed.e1.03.dgn
 bklappenbach

REVISIONS					SHEET NO.
NO.	BY:	DATE:	NO.	BY:	DATE:
1			3		
2			4		

S-110
 TOTAL SHEETS
 129

STR #3