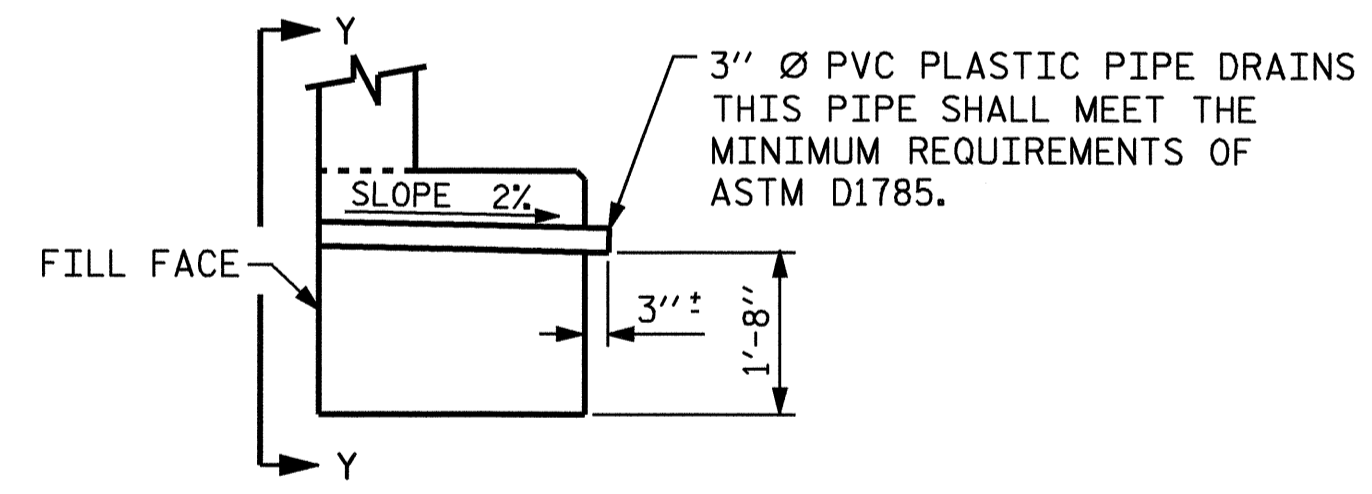
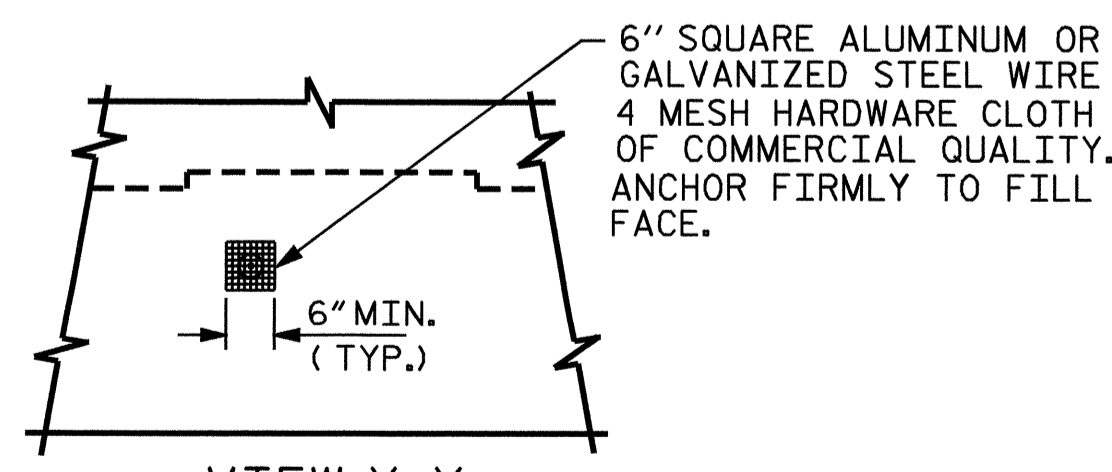


SECTION A-A

NOTE: SEE MSE WALL PLANS (SHEET W-1 AND W-2) FOR BACKWALL SOIL REINFORCEMENT.



SECTION THRU CAP

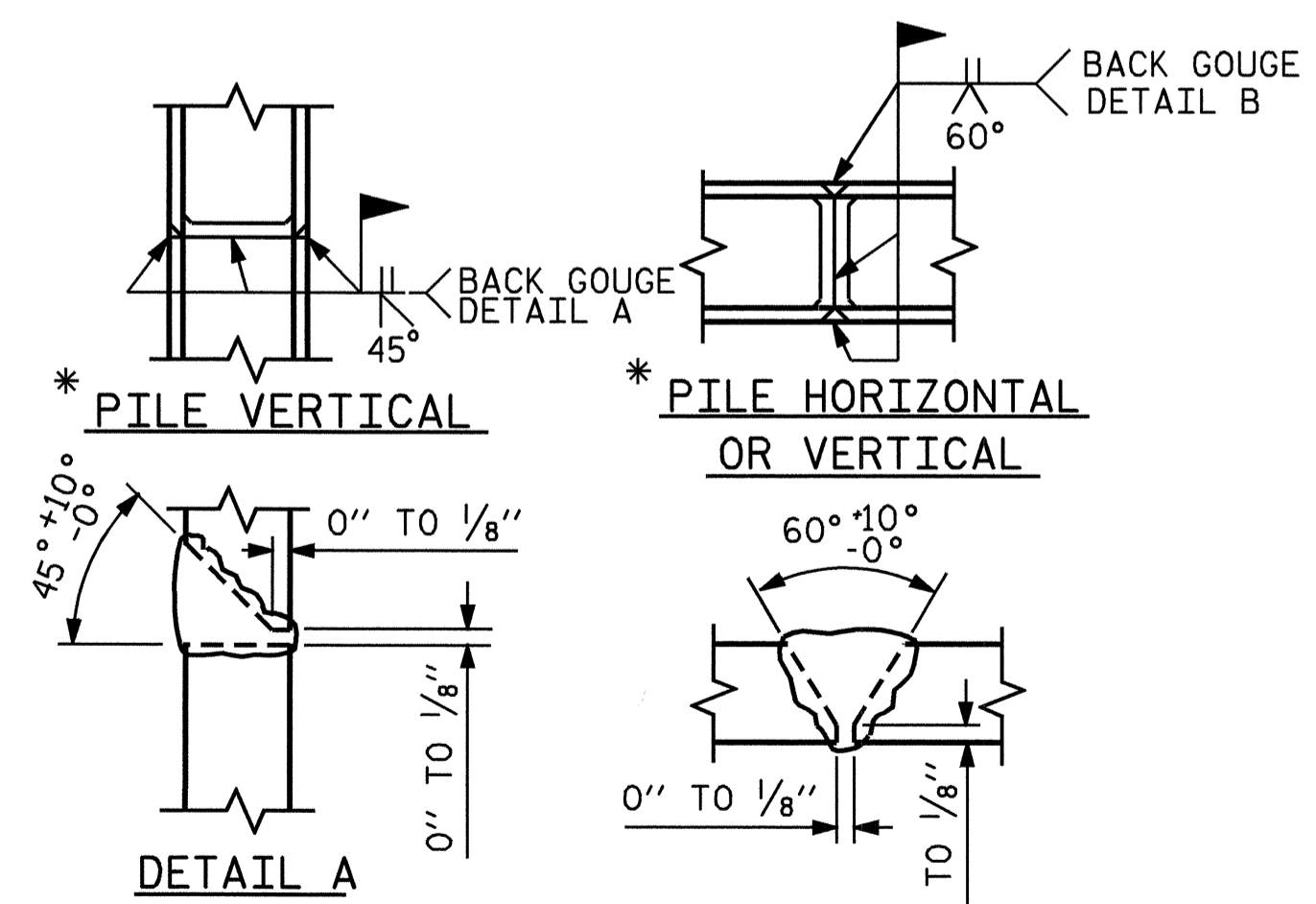


VIEW Y-Y

NOTE: NO SEPARATE PAYMENT WILL BE MADE FOR FURNISHING AND INSTALLING THE PVC PLASTIC PIPE DRAINS, HARDWARE CLOTH AND FASTENERS. THE ENTIRE COST OF THIS WORK SHALL BE INCLUDED IN THE UNIT CONTRACT PRICE BID FOR THE SEVERAL PAY ITEMS.

PIPE DRAIN DETAILS

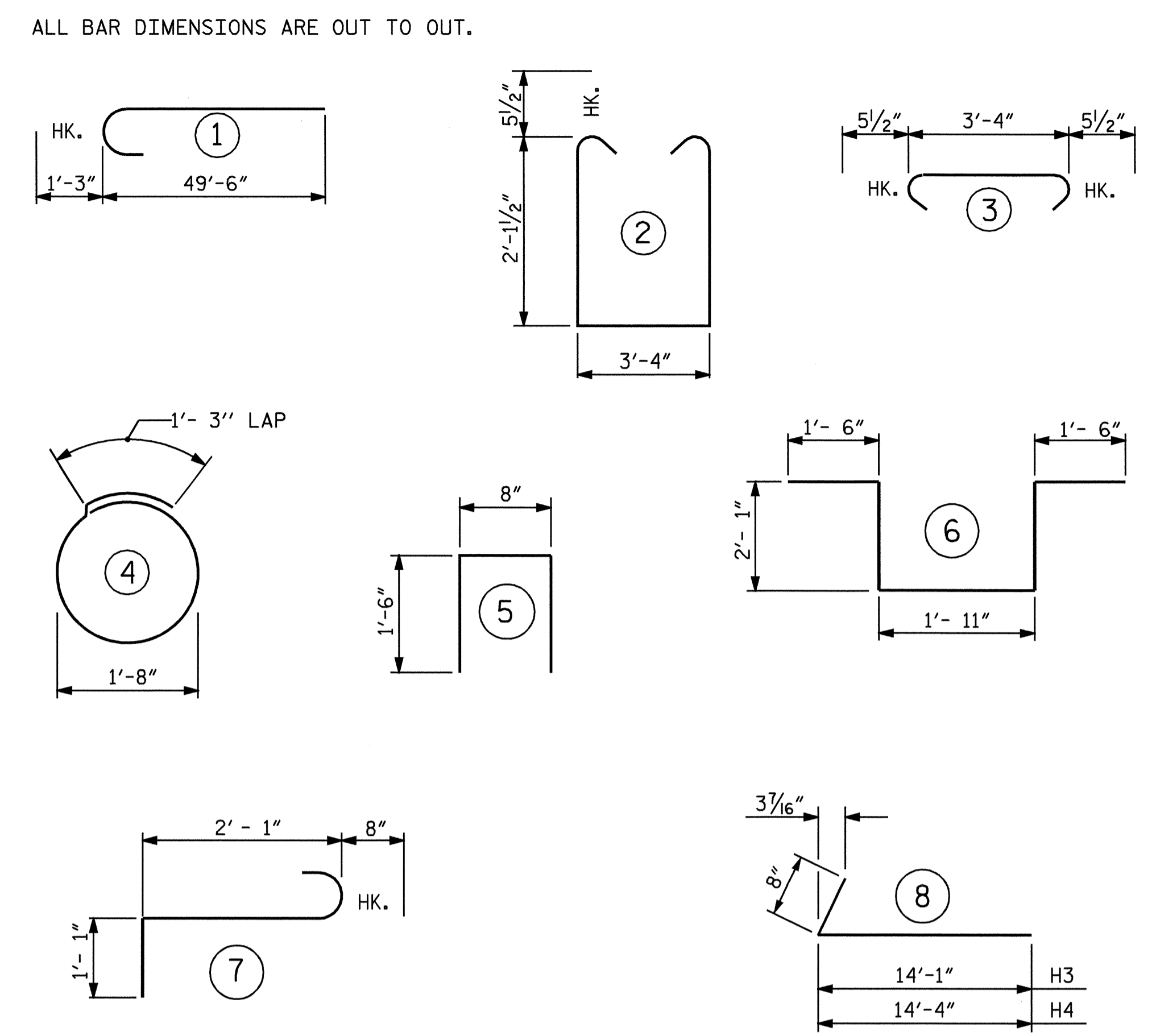
DRAWN BY: G.M.Patterson DATE: 11/12/03
 CHECKED BY: D.A. GLADDEN DATE: 01/29/04



PILE SPLICE DETAILS

* POSITION OF PILE DURING WELDING.

BAR TYPES



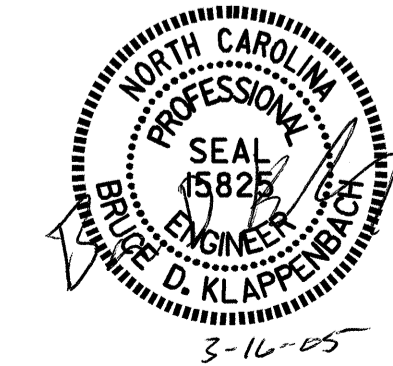
ALL BAR DIMENSIONS ARE OUT TO OUT.

BILL OF MATERIAL					
REINFORCING STEEL BAR SCHEDULE					
BAR	NO.	SIZE	TYPE	LENGTH	WEIGHT
B11	10	9	1	50- 9	1726
B13	2	5	STR	49- 6	103
B14	8	4	STR	26- 3	140
B15	13	4	STR	3- 4	29
H3	12	5	8	14- 9	185
H4	12	5	8	15- 0	188
K11	12	5	STR	49- 6	620
K12	6	5	STR	4- 2	26
K13	1	5	STR	5- 2	5
K14	1	5	STR	5- 5	6
S1	67	5	2	8- 6	594
S2	67	5	3	4- 3	297
S3	18	4	4	6- 6	78
S4	1	6	6	9- 1	14
S5	3	6	7	3-10	17
U1	40	4	5	3- 8	98
V11	80	5	STR	8- 2	681
V12	16	5	STR	10- 5	174
V13	8	5	STR	10- 6	88
V14	8	5	STR	10- 7	88
V15	8	5	STR	10- 9	90
V16	12	5	STR	9- 4	117
REINFORCING STEEL (LBS.)					5,364
CLASS A CONCRETE (CU.YDS.)					
POUR #1					= 19.3
POUR #2					= 16.5
TOTAL					= 35.8
HP12 X 53 STEEL PILES					
NO. 8 LIN.FT. 560					

PROJECT NO. U-0620
CUMBERLAND COUNTY
 STATION: 161+95.29 -L-
 SHEET 3 OF 3

STATE OF NORTH CAROLINA
 DEPARTMENT OF TRANSPORTATION
 RALEIGH

**SUBSTRUCTURE
 END BENT 2
 (RIGHT LANE)**



REV: CHANGE BRACE PILES TO VERTICAL PILES & ADD BACKWALL SOIL REINFORCEMENT.

DRAWN BY: M. G. S.
 CHECKED BY: B. D. K.

REVISIONS					
NO.	BY:	DATE:	NO.	BY:	DATE:
1	M. G. S.	3-21-05	3		
2			4		

SHEET NO.	
5-122	TOTAL SHEETS 129