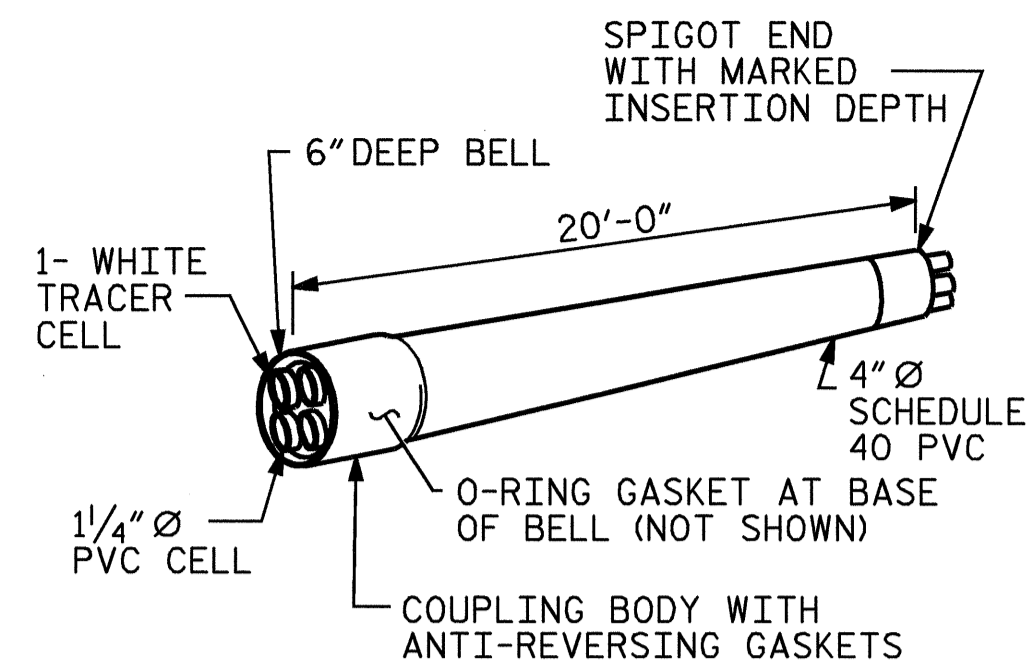
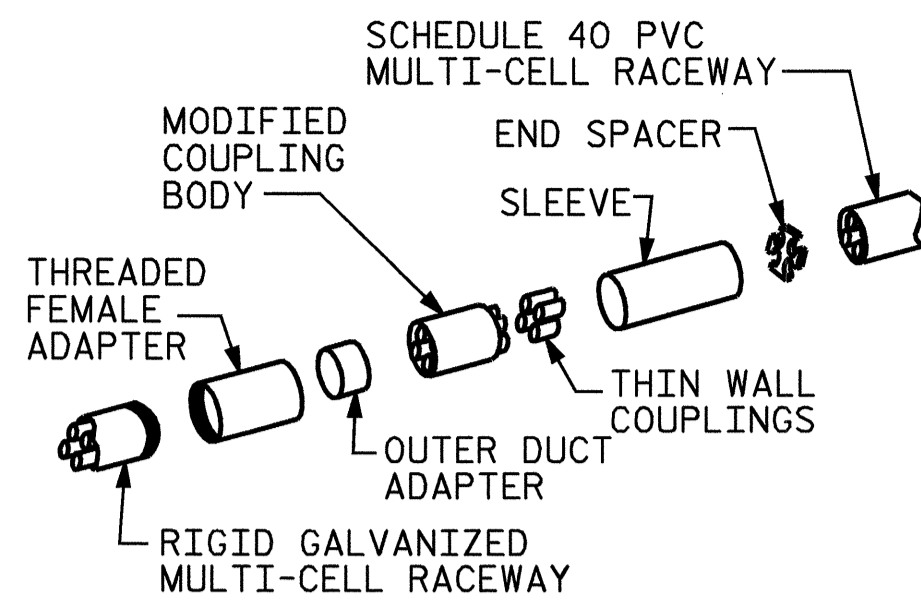


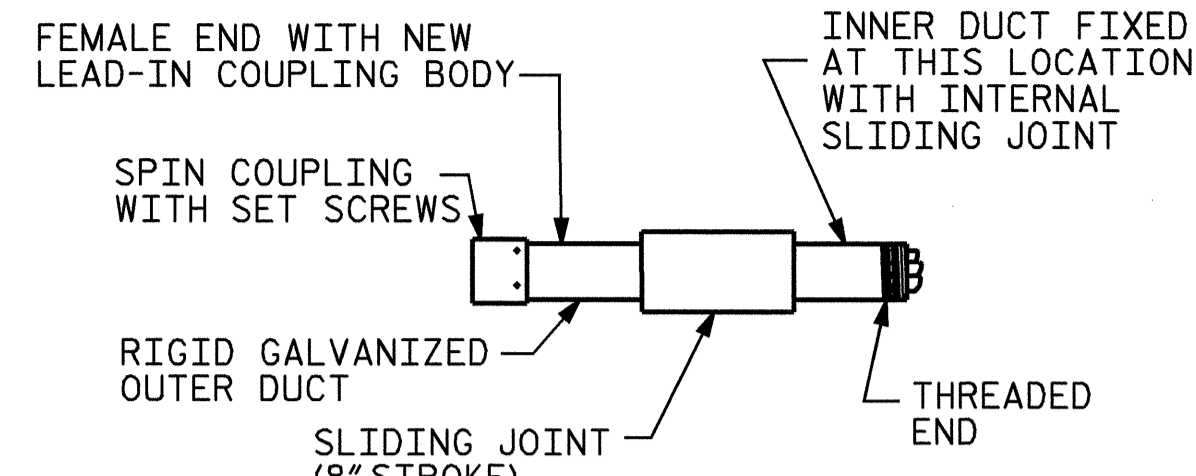
**RIGID GALVANIZED (RGC) MULTI-CELL RACEWAY**



**SCHEDULE 40 PVC MULTI-CELL RACEWAY**



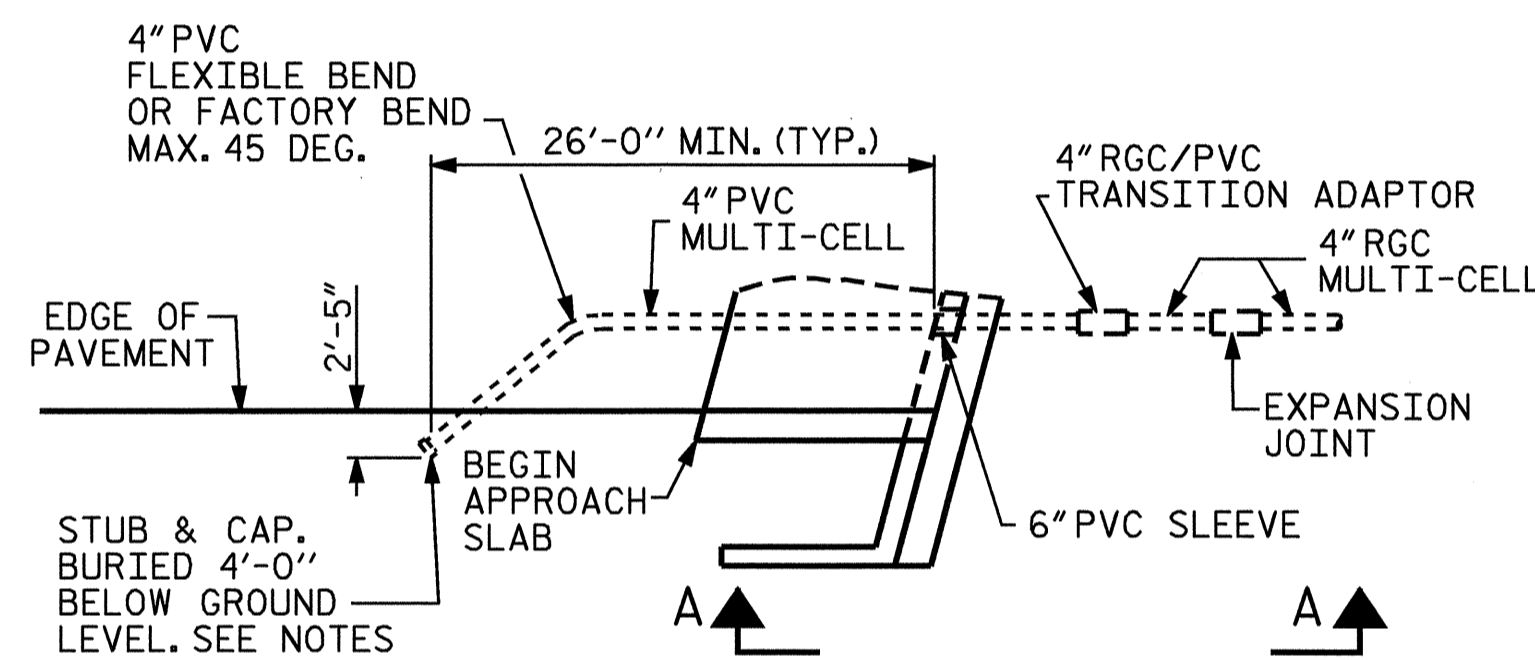
**TRANSITION ADAPTOR**



**EXPANSION JOINT FITTING**

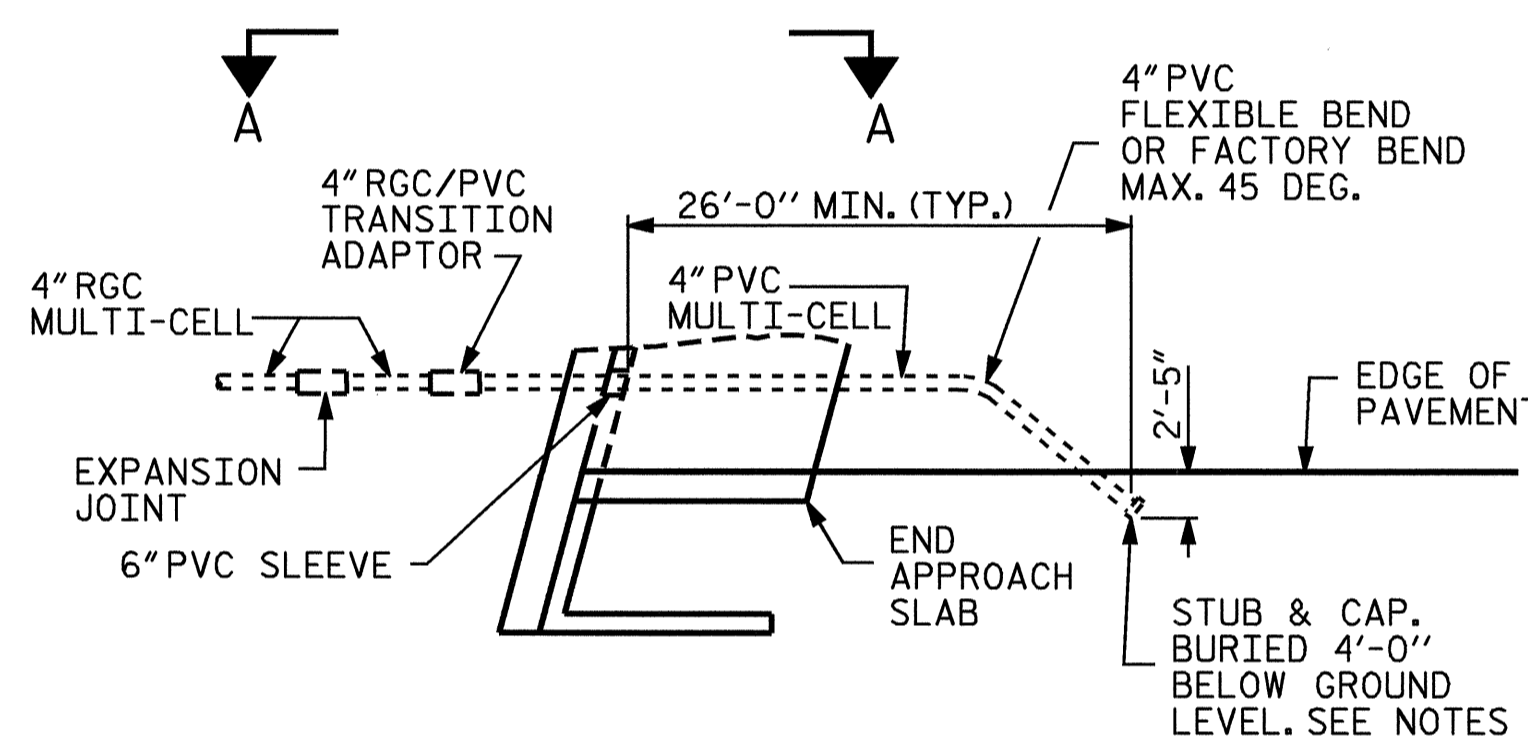
**DETAIL "D"**

4" MULTI-CELL COMPONENTS



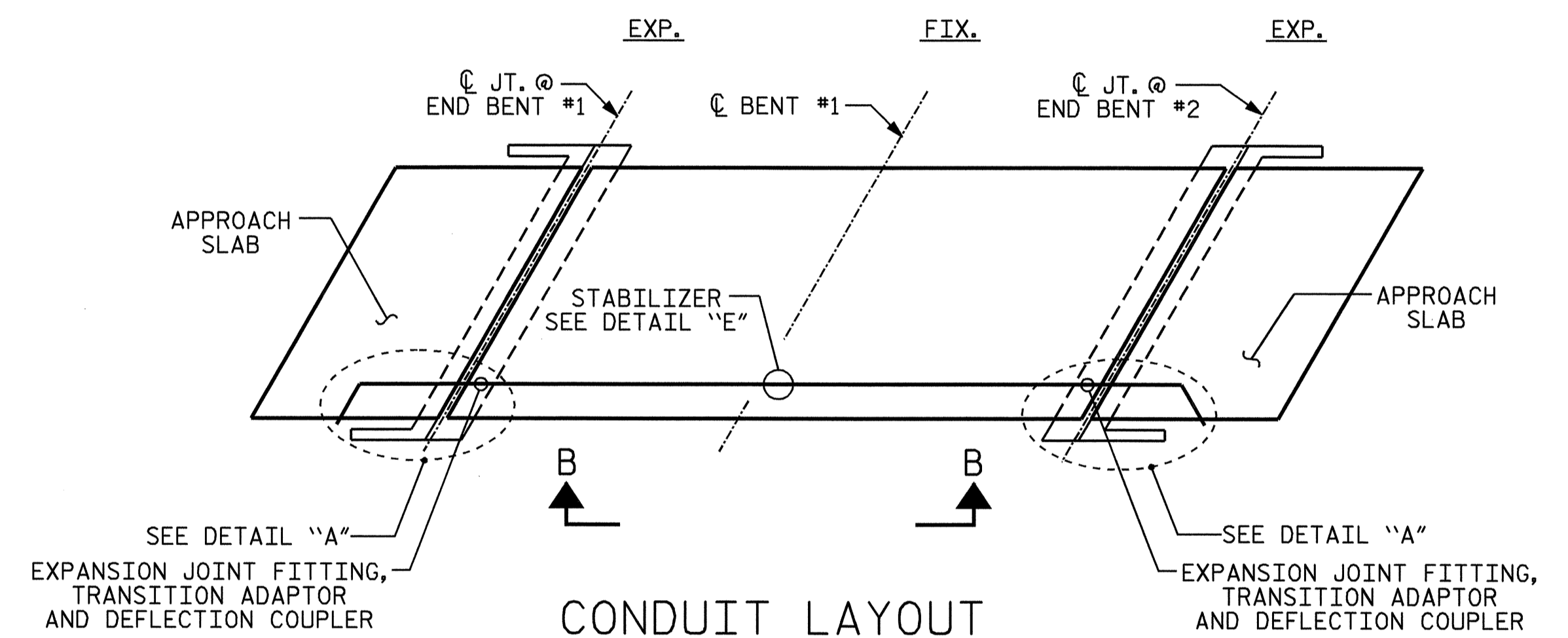
**DETAIL "A"**

TERMINATION OF CONDUIT AT WING WALL (@ END BENT 1)

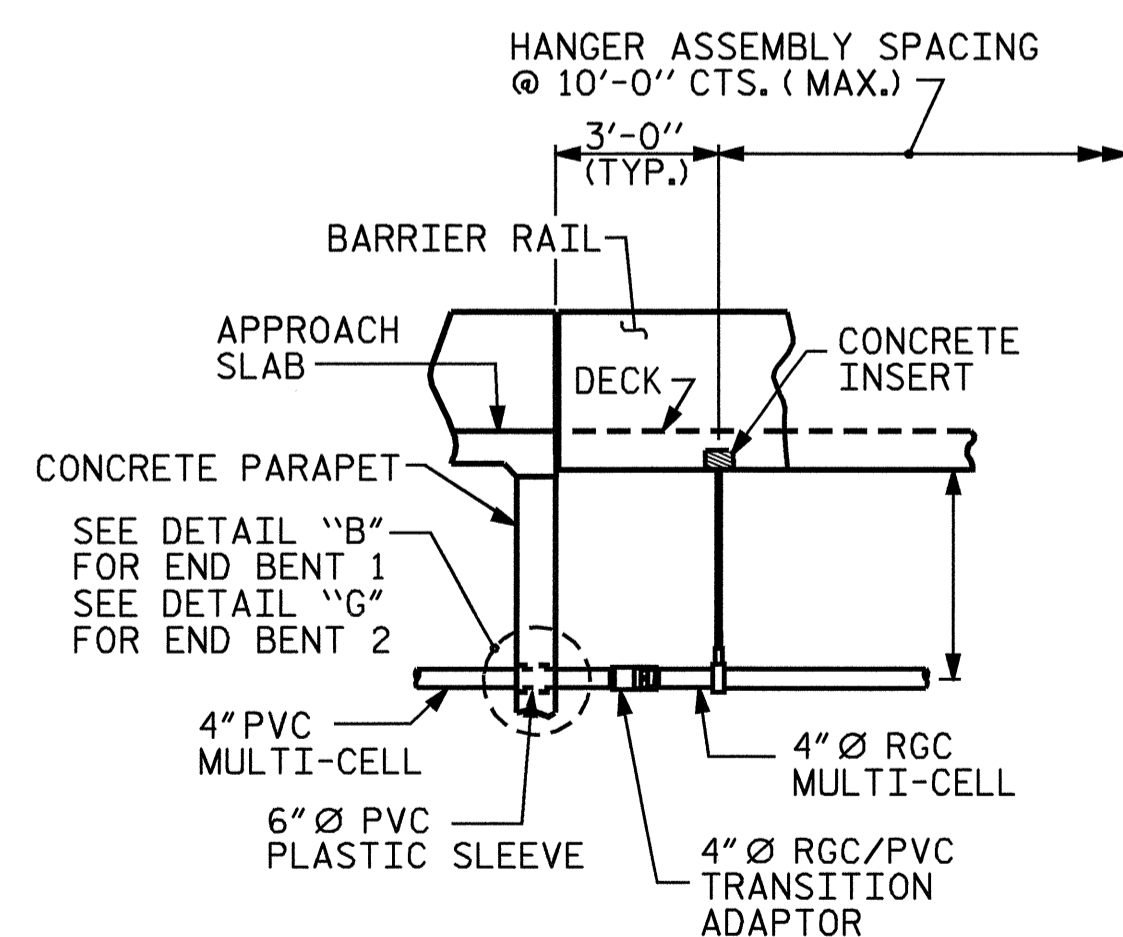


**DETAIL "A"**

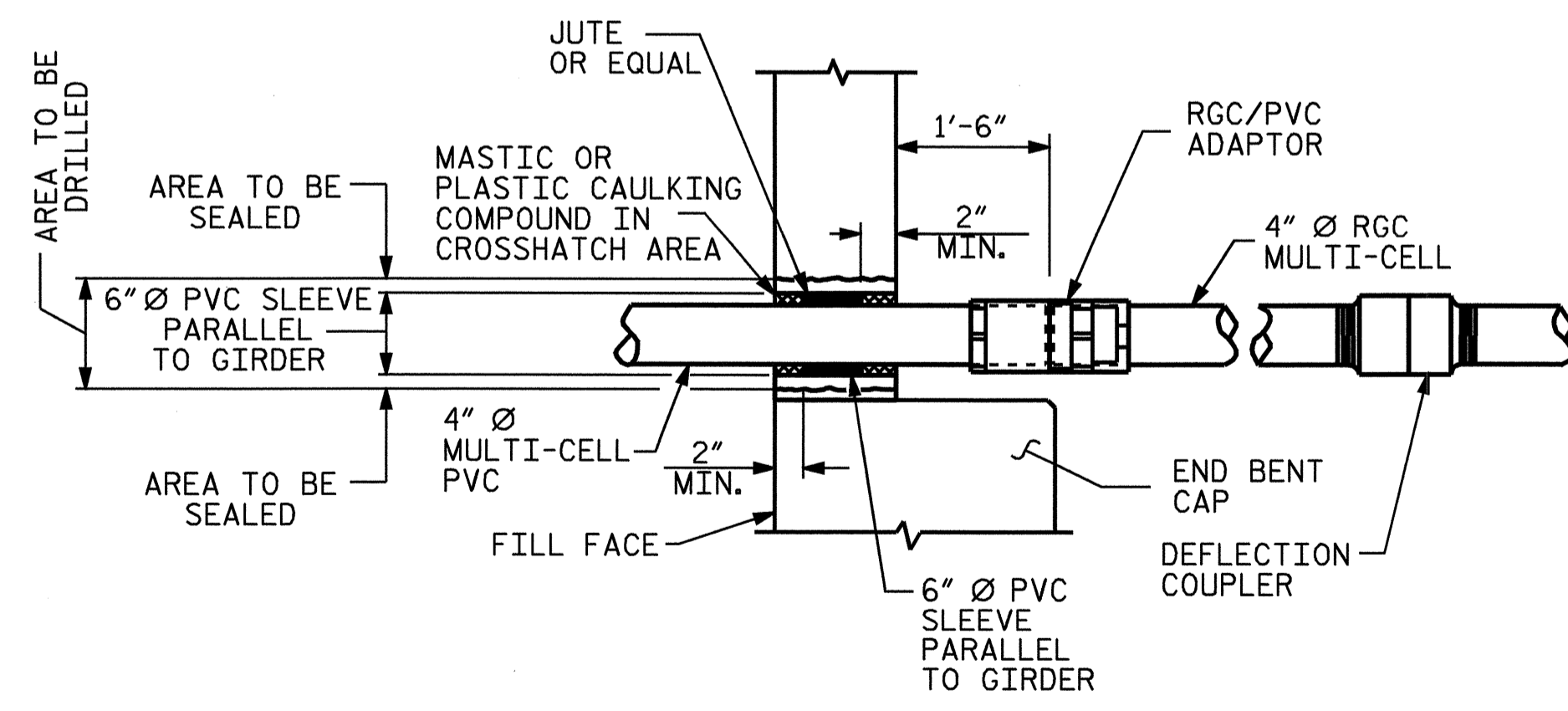
TERMINATION OF CONDUIT AT WING WALL (@ END BENT 2)



**CONDUIT LAYOUT**



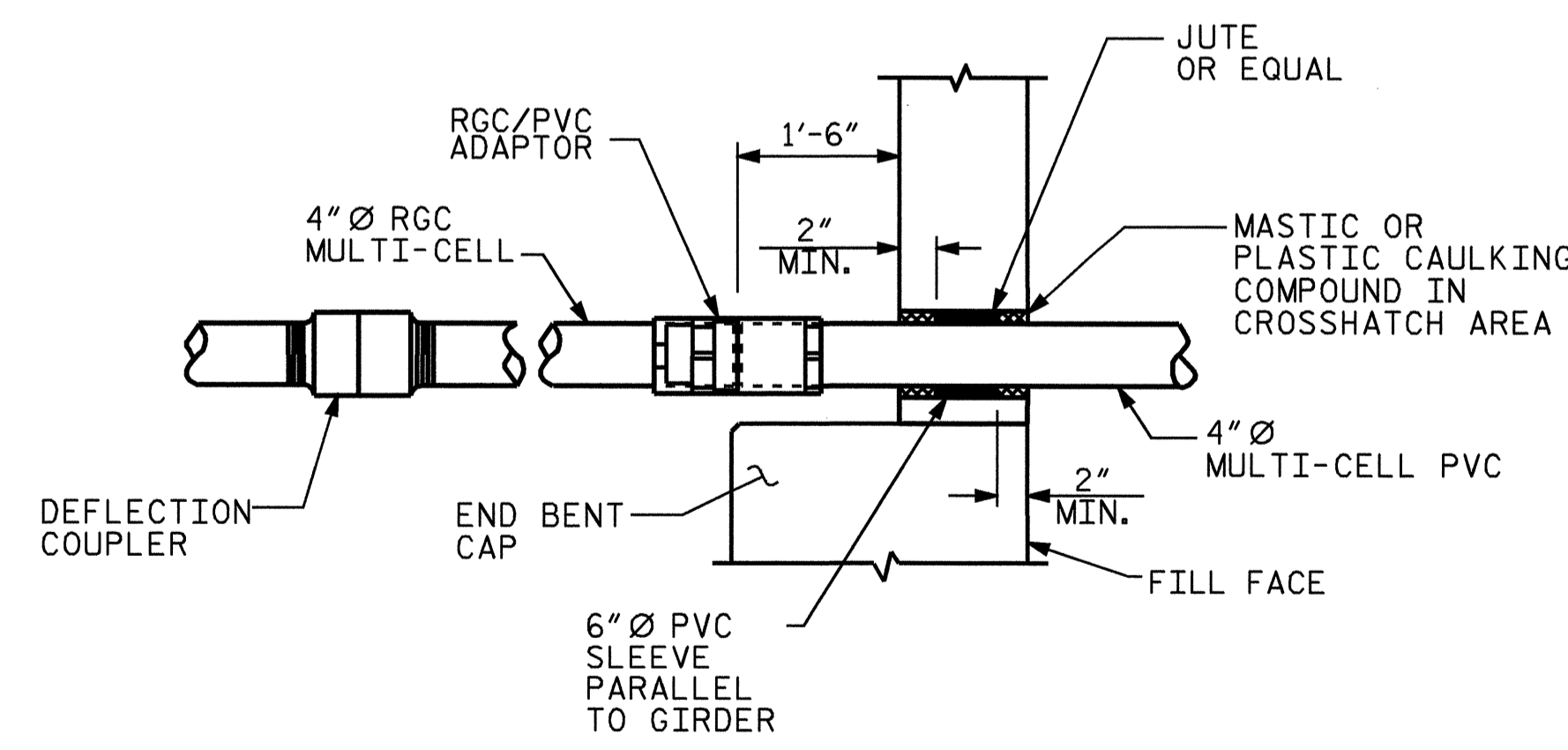
**VIEW "A-A"**



**END BENT 1**

**DETAIL "B"**

PVC SLEEVE INSTALLATION & RGC/PVC ADAPTOR AT BACKWALL.



**END BENT 2**

**DETAIL "G"**

PVC SLEEVE INSTALLATION & RGC/PVC ADAPTOR AT BACKWALL.

**ELECTRIC CONDUIT DETAILS**

**NOTES**

THE CONTRACTOR SHALL BE RESPONSIBLE FOR DETERMINING THE TOTAL QUANTITY OF CONDUIT NEEDED TO COMPLETE THE WORK AND THAT THE CONDUIT(S) ARE PLACED AT THE NOTED DIMENSION AND ABOVE THE BOTTOM OF THE GIRDER.

THE INSTALLATION OF THE CONDUIT SYSTEM SHALL BE PAID FOR AS LUMP SUM. THE PRICE SHALL INCLUDE ALL CONDUIT, HANGERS, STABILIZERS, EXPANSION JOINTS, CONCRETE INSERTS, PVC SLEEVES AND ALL NECESSARY HARDWARE TO COMPLETE THE WORK.

THE CONTRACTOR SHALL FIELD VERIFY THAT THE CONDUIT SYSTEM IS NOT IN CONFLICT WITH THE GUARDRAIL POSTS.

SEE DETAIL "C" FOR HANGER ASSEMBLY INSTALLATION.

INSTALL SLEEVES PARALLEL TO GIRDERS. SEE DETAIL "B" FOR SLEEVE INSTALLATION.

PROVIDE TRANSITION ADAPTOR AND EXPANSION JOINT FOR CONDUIT AT END BENT 1 AND END BENT 2.

INSTALL STABILIZER'S MIDWAY BETWEEN DECK EXPANSION JOINTS. STABILIZER CAN NOT BE USED INSTEAD OF A HANGER ASSEMBLY.

THE CONCRETE SCREW INSERT SHALL HAVE A ROD SIZE OF 5/8" AND A PULL FORCE OF 1260 lbs.

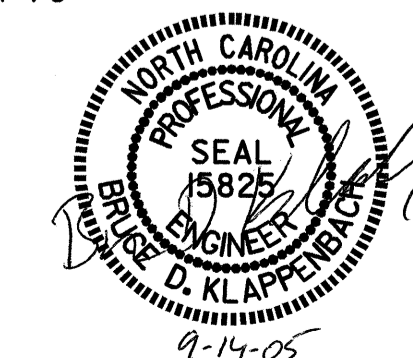
INSTALL DEFLECTION COUPLER AT EACH END BENT. SEE DETAIL "F".

THE CONTRACTOR SHALL DRILL THROUGH THE BACKWALL AT END BENT 1 FOR THE INSTALLATION OF THE 6" DIAMETER PVC PIPE SLEEVE. THE AREA BETWEEN THE 6" PVC PIPE AND THE CONCRETE SHALL BE SEALED TO THE SATISFACTION OF THE ENGINEER.

ASSEMBLED BY : M. G. SHAIKH DATE : 09-09-05  
CHECKED BY : B. D. KLAPPENBACH DATE : 09-14-05

DRAWN BY : RWM 2-4-03  
CHECKED BY : DBM 2-4-03

REV: SHEET ADDED  
DRAWN BY: M.G.S.  
CHECKED BY: B.D.K.



PROJECT NO. U-0620  
CUMBERLAND COUNTY  
STATION: 161+95.29 -L-

SHEET 1 OF 2

| STATE OF NORTH CAROLINA<br>DEPARTMENT OF TRANSPORTATION<br>RALEIGH |          |          |     |     |       |
|--|----------|----------|-----|-----|-------|
| STANDARD<br>ELECTRICAL CONDUIT<br>SYSTEM DETAILS<br>(RIGHT LANE)   |          |          |     |     |       |
| REVISIONS  |          |          |     |     |       |
| NO.  | BY:      | DATE:    | NO. | BY: | DATE: |
| 1  | M. G. S. | 09-14-05 | 3   |     |       |
| 2  |          |          | 4   |     |       |

SHEET NO. S-122A

TOTAL SHEETS 129

STR #3

STD. NO. ECS1