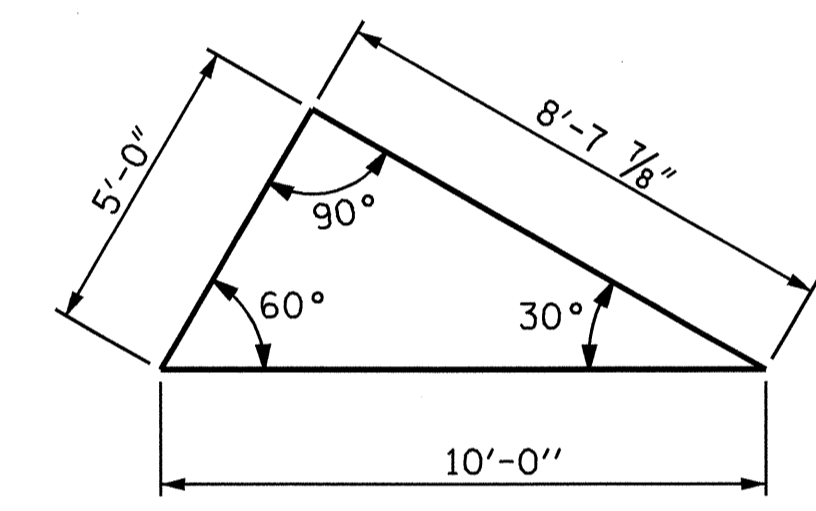
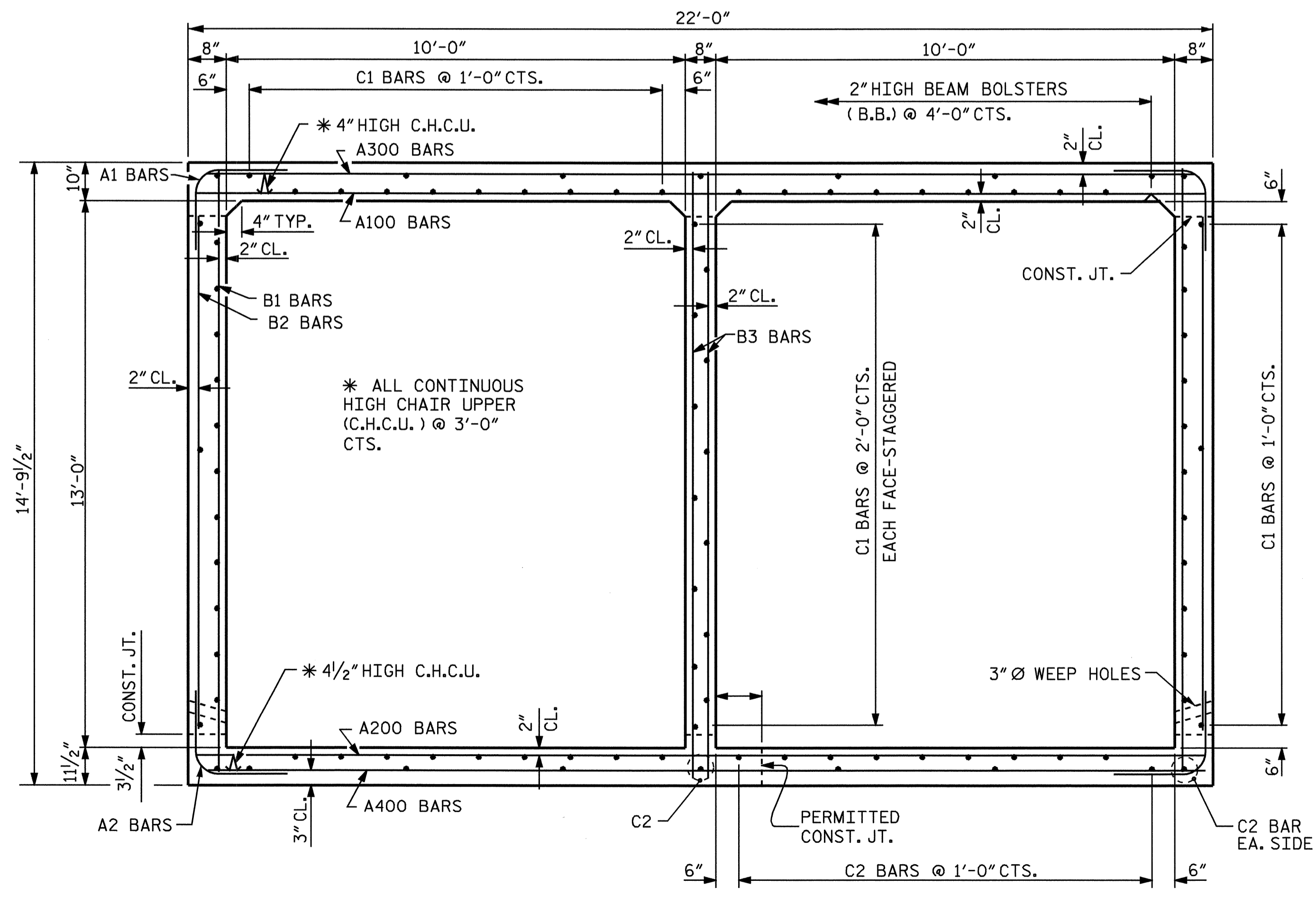


INLET END ELEVATION NORMAL TO SKEW



SKEW TRIANGLE

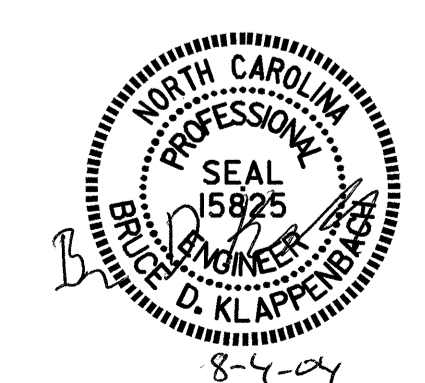


RIGHT ANGLE SECTION OF BARREL

THERE ARE 95 "C" BARS IN SECTION OF BARREL.

PROJECT NO. U-0620
CUMBERLAND COUNTY
 STATION: 106+32.00 -L-
 SHEET 3 OF 6

STATE OF NORTH CAROLINA
 DEPARTMENT OF TRANSPORTATION
 RALEIGH
**BARREL STANDARD
 DOUBLE 10 FT. X 13 FT.
 CONCRETE BOX CULVERT
 66°-00'-00" SKEW**



REVISIONS						SHEET NO.
NO.	BY:	DATE:	NO.	BY:	DATE:	C-8
1			3			TOTAL SHEETS
2			4			23

REVISED 11-19-99 BY M.M. CHECKED BY R.W.W.
 REDRAWN 10-1-90 BY P. DONOVAN CHECKED BY ARB

ASSEMBLED BY : M. G. SHAIKH DATE : 03-15-01
 CHECKED BY : D. A. GLADDEN DATE : 8-14-03
 DRAWN BY : JERRY HARRIS DATE : JUNE 1971
 CHECKED BY : JOEL JOHNSON DATE : JULY 1971