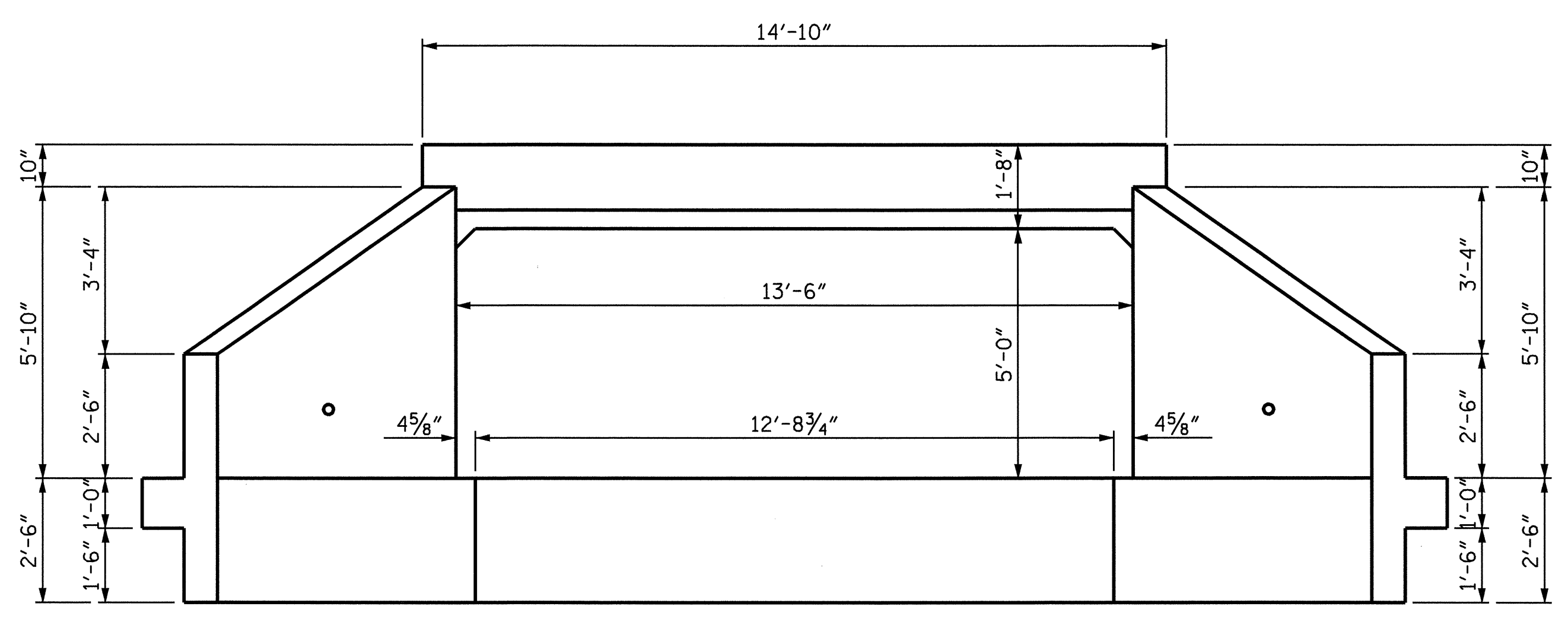
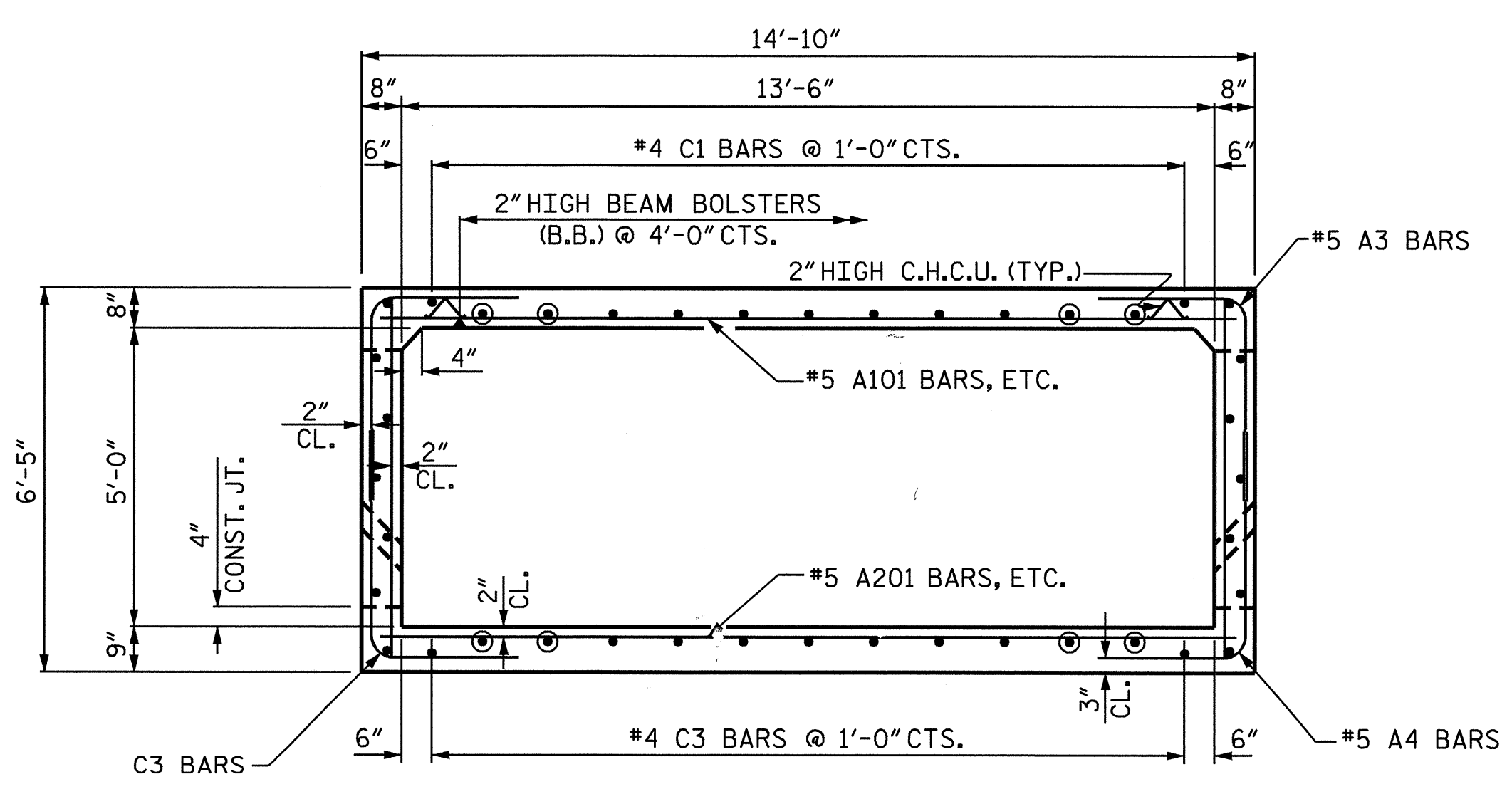


CULVERT SECTION NORMAL TO ROADWAY

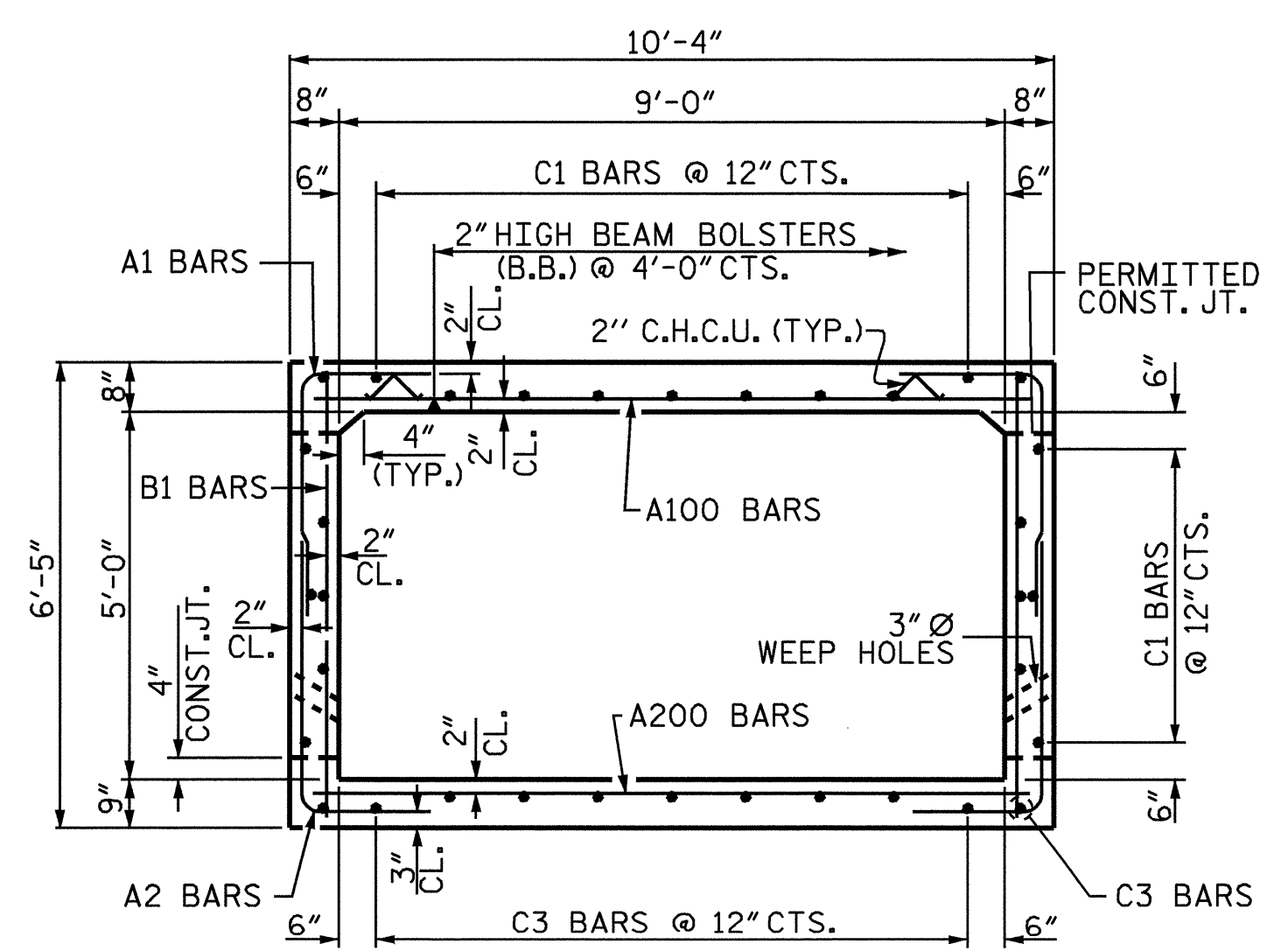


TAPERED INLET ELEVATION



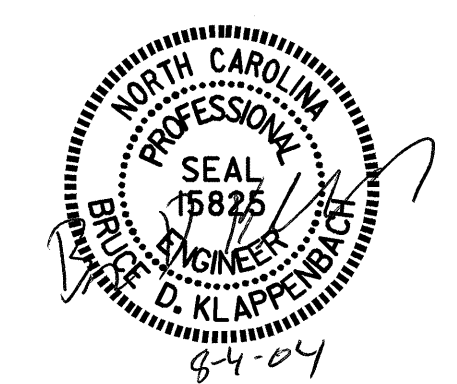
RIGHT ANGLE SECTION OF BARREL AT TAPERED INLET

⊙—DENOTES C2 BARS (SPLAYED BARS)



RIGHT ANGLE SECTION OF BARREL

THERE ARE 34 "C" BARS IN SECTION
 23 "C1" BARS IN ROOF SLAB AND WALLS
 11 "C3" BARS IN FLOOR SLAB



PROJECT NO. U-0620
CUMBERLAND COUNTY
 STATION: 184+27.00 -L-
 SHEET 2 OF 6

STATE OF NORTH CAROLINA
 DEPARTMENT OF TRANSPORTATION
 RALEIGH
 SINGLE 9 FT. X 5 FT.
 CONCRETE BOX CULVERT
 90° SKEW
 1971

REVISIONS				SHEET NO.	
NO.	BY:	DATE:	NO.	BY:	DATE:
1			3		
2			4		

TOTAL SHEETS: 23

DRAWN BY: J.B. WILSON DATE: 9/03
 CHECKED BY: G.M. Patterson DATE: 1/04