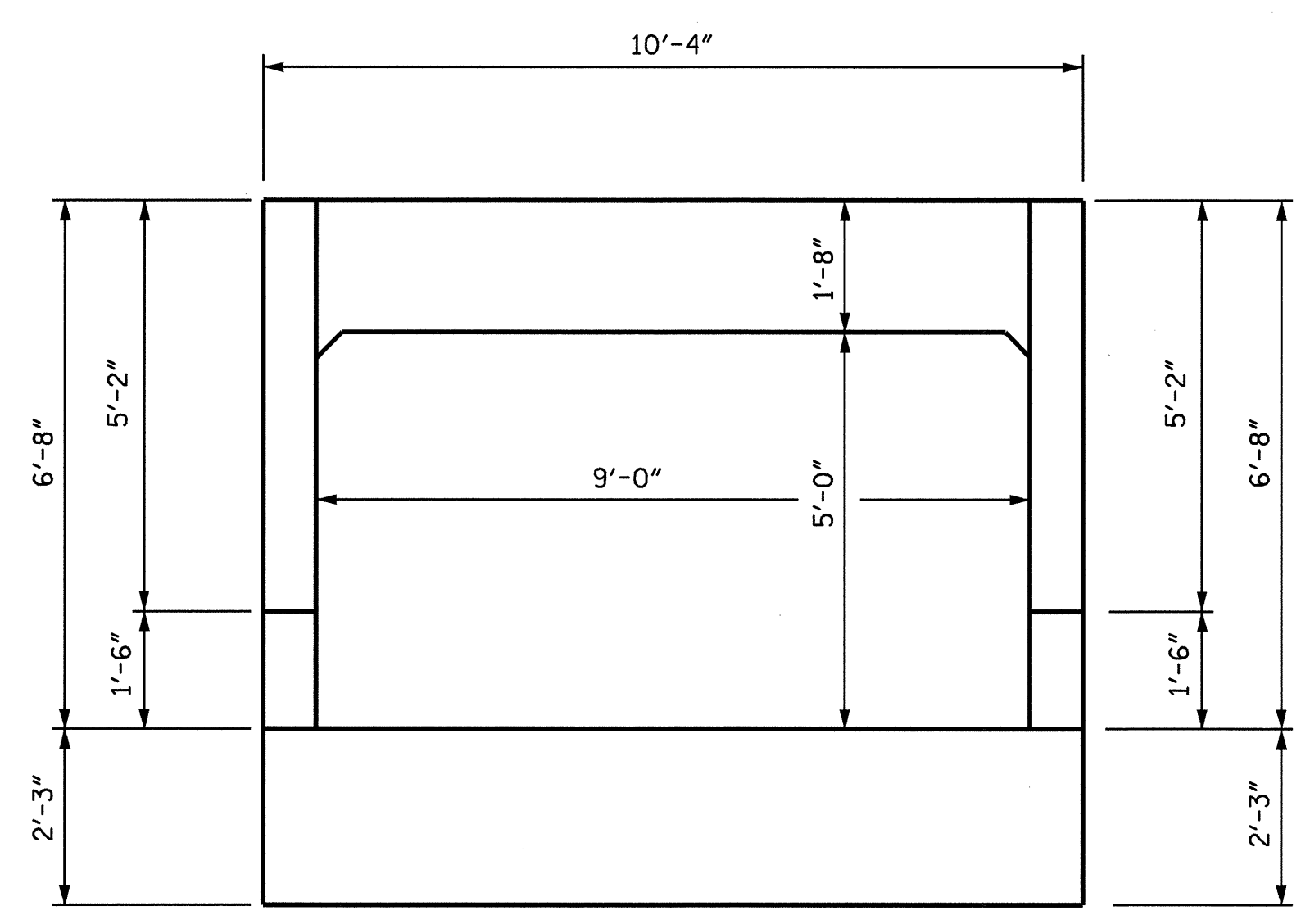
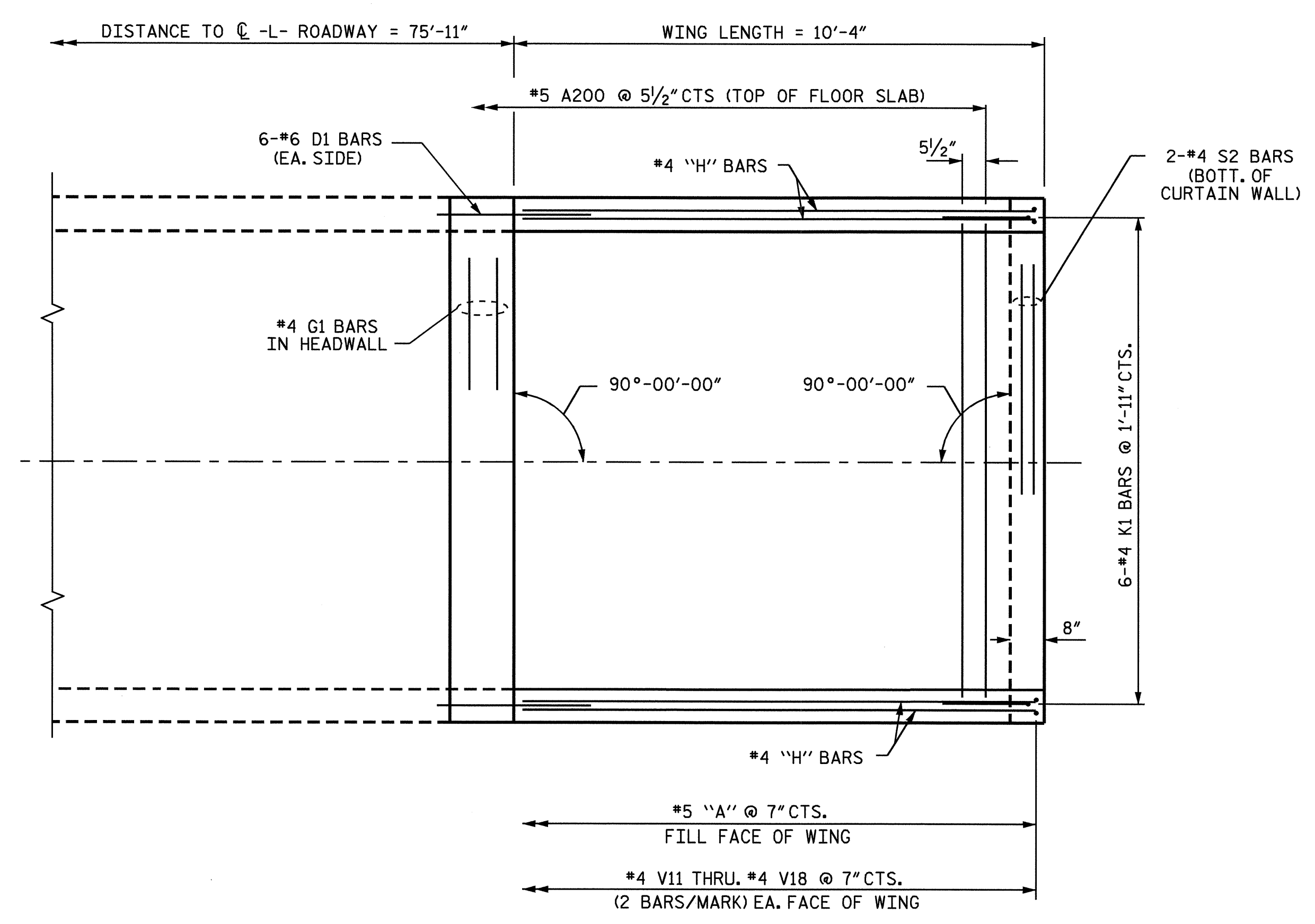


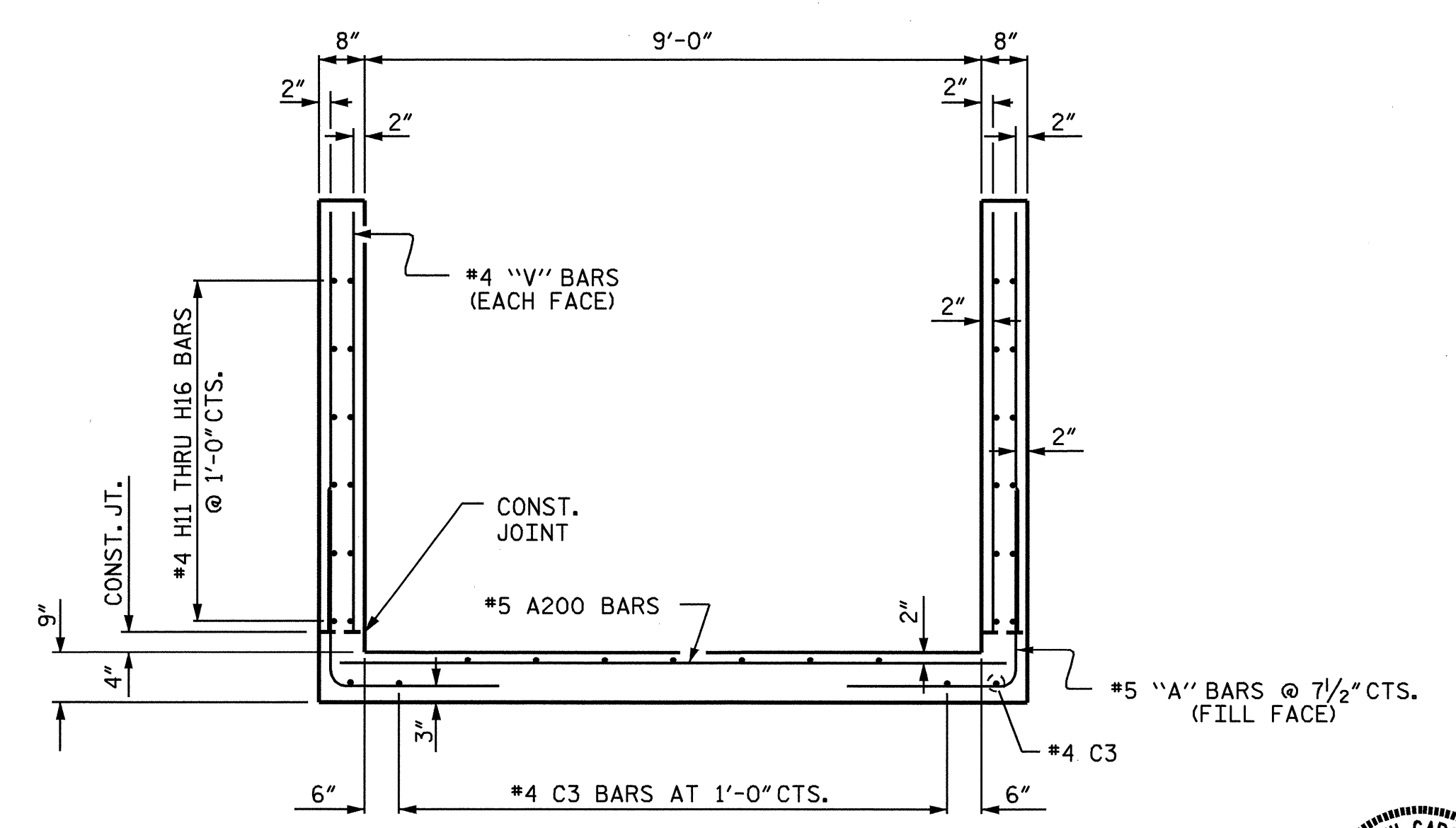
**OUTLET WING SECTION NORMAL TO ROADWAY**



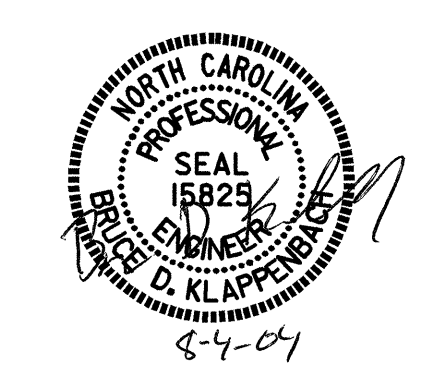
**OUTLET END ELEVATION**



**PLAN OF OUTLET WINGS**



**SECTION THRU OUTLET WINGS**



PROJECT NO. U-0620  
CUMBERLAND COUNTY  
 STATION: 184+27.00 -L-  
 SHEET 4 OF 6

STATE OF NORTH CAROLINA  
 DEPARTMENT OF TRANSPORTATION  
 RALEIGH  
**OUTLET WINGS**  
**SINGLE 9 FT. X 5 FT.**  
**CONCRETE BOX CULVERT**  
**90° SKEW**

DRAWN BY: JASON B. WILSON DATE: 9/03  
 CHECKED BY: G.M. Patterson DATE: 1/04

REVISIONS				SHEET NO.	
NO.	BY:	DATE:	NO.	BY:	DATE:
1			3		
2			4		
TOTAL SHEETS					23