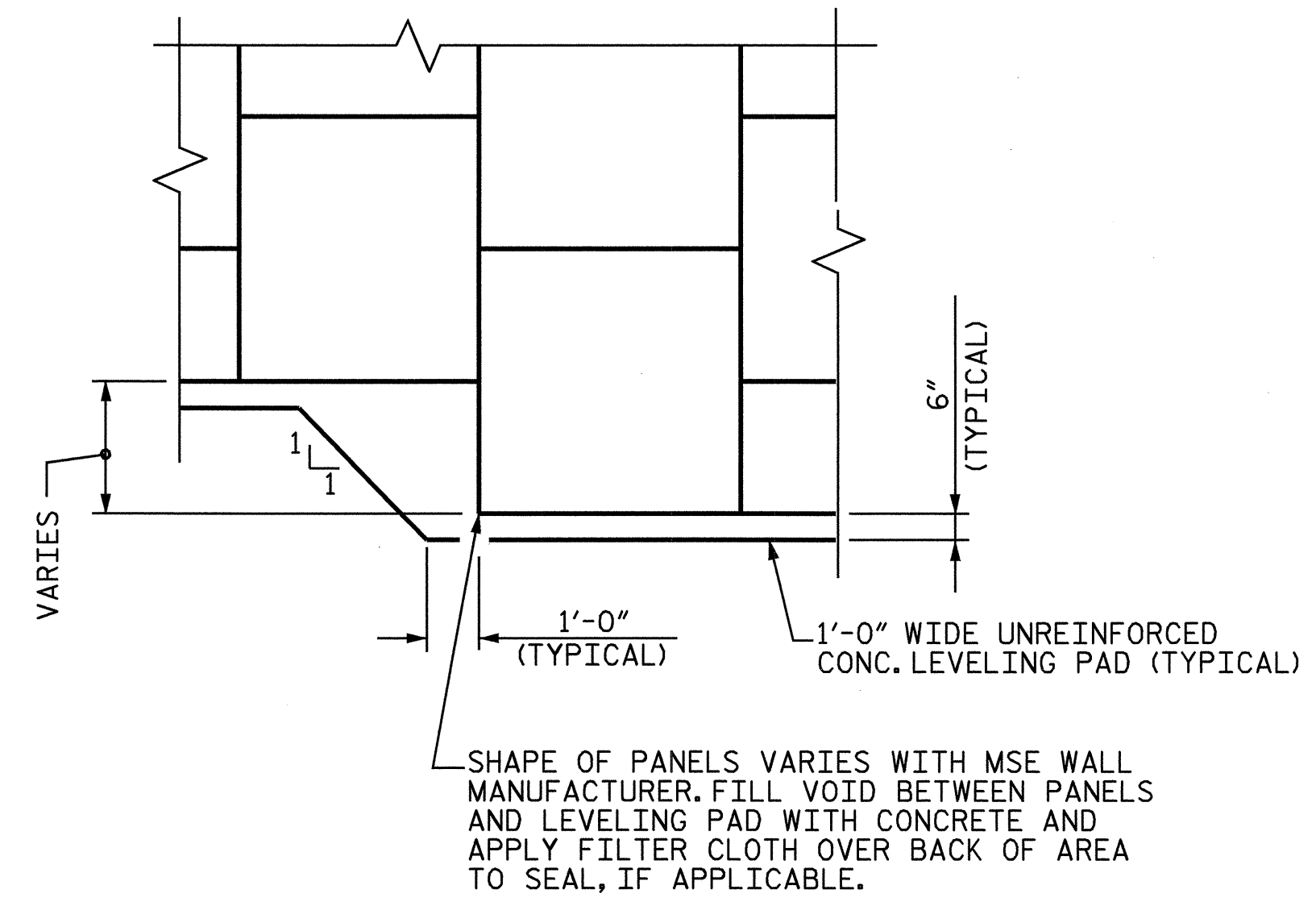
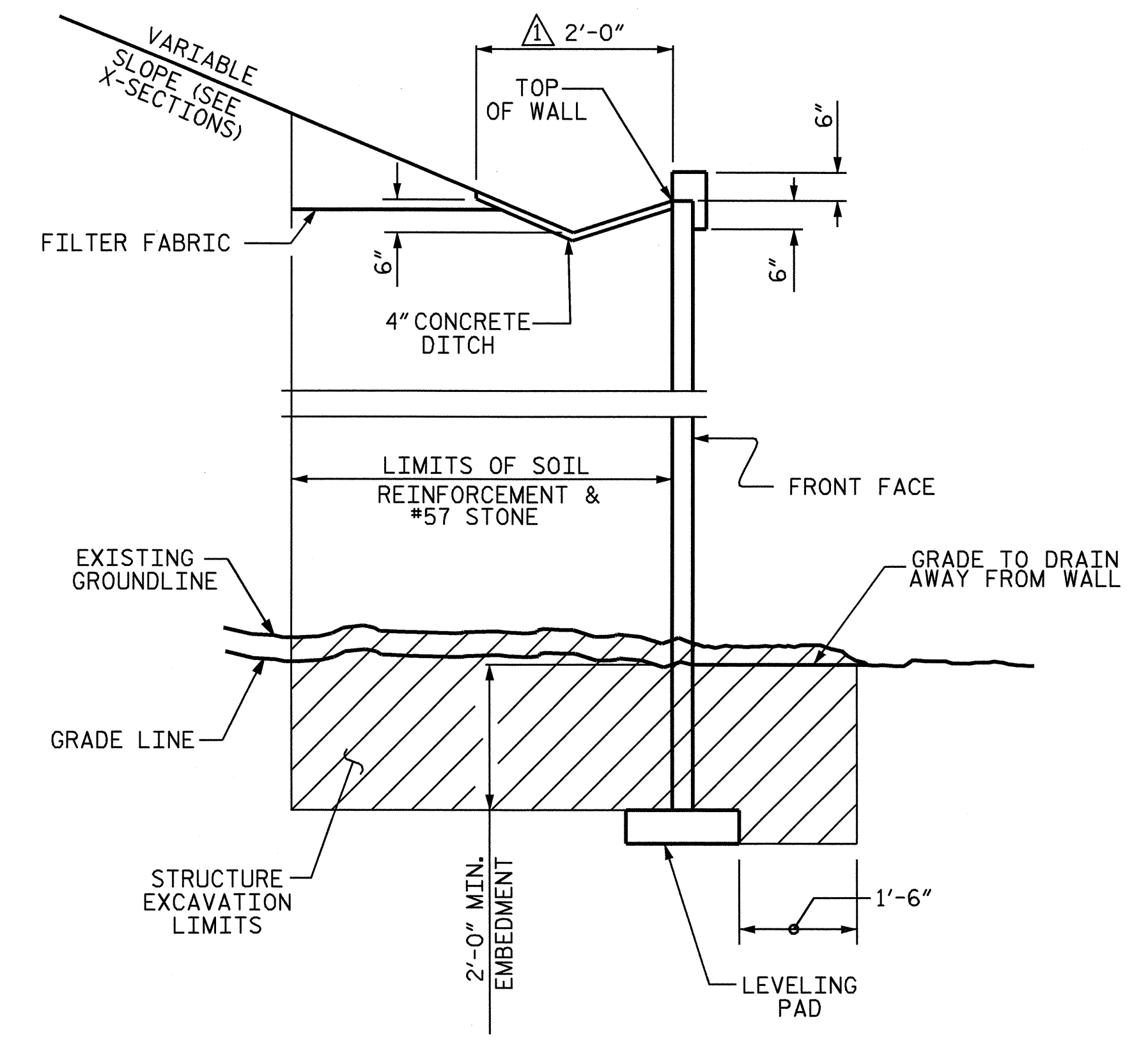


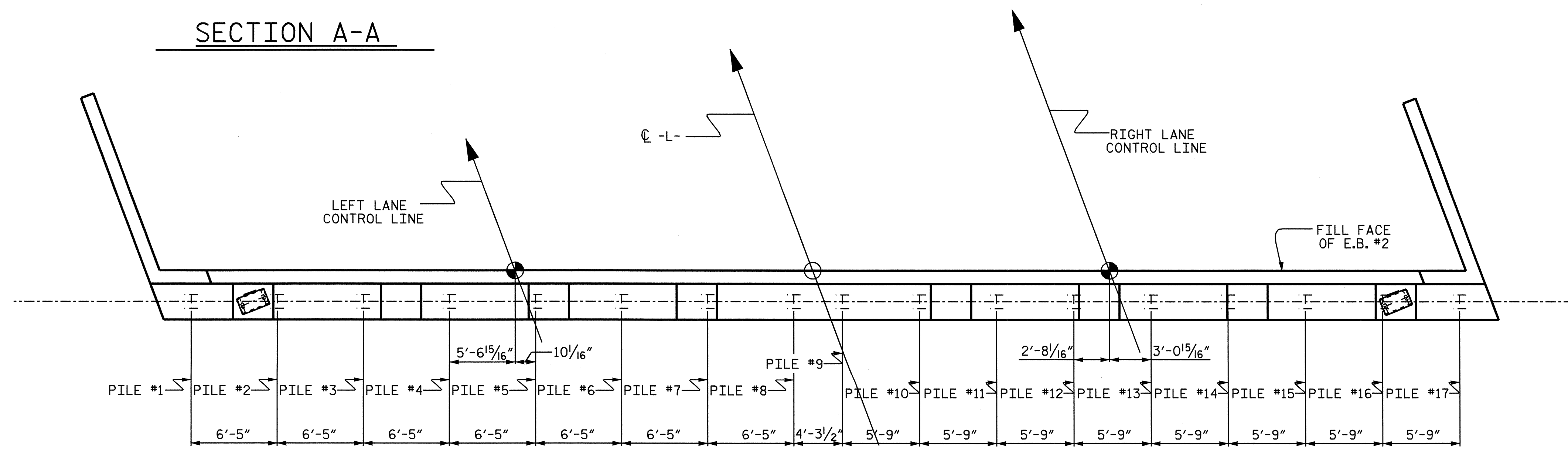
SECTION A-A



STEP DETAIL
TYPICAL LEVELING PAD

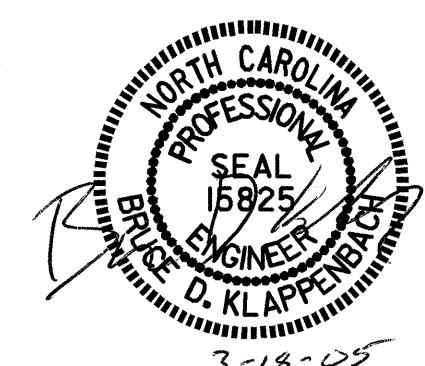


SECTION B-B



PILE SPACING @ END BENT #2

REVISION : REVISED DISTANCE FROM E.B. #2 FILL FACE TO FRONT FACE OF MSE WALL.
 ADD RESULTANT EARTH PRESSURE 4'-0" FROM BOTTOM OF CAP
 REVISED WIDTH OF 4" CONCRETE DITCH.
 BY : JBW CHECKED BY : BDK



PROJECT NO. U-0620
 CUMBERLAND COUNTY
 STATION: 162+29.76 -L-

SHEET 2 OF 2

STATE OF NORTH CAROLINA DEPARTMENT OF TRANSPORTATION RALEIGH					
DETAILS MSE WALL ENVELOPE @ END BENT #2					
REVISIONS					
NO.	BY:	DATE:	NO.	BY:	DATE:
1	JBW	3/15/05	3		
2			4		

DRAWN BY : J.B. WILSON DATE : 1/ 04
 CHECKED BY : B.D. KLAPPENBAUGH DATE : 6/ 04