

PROJECT REFERENCE NO.	SHEET NO.
U-0620	EC-7/CONST.8
RW SHEET NO.	
ROADWAY DESIGN ENGINEER	HYDRAULICS ENGINEER

ALL DRIVEWAYS ARE 20' WIDE
UNLESS OTHERWISE NOTED
BREAK UP AND REMOVE EXISTING PAVEMENT
UNDERNEATH PROPOSED RAISED MEDIAN.
SEE SHEET 27 FOR -L- PROFILE
SEE SHEET 34 FOR -Y7- PROFILE
SEE SHEET 35 FOR -Y8- PROFILE
SEE SHEET 37 FOR -SERV2- PROFILE

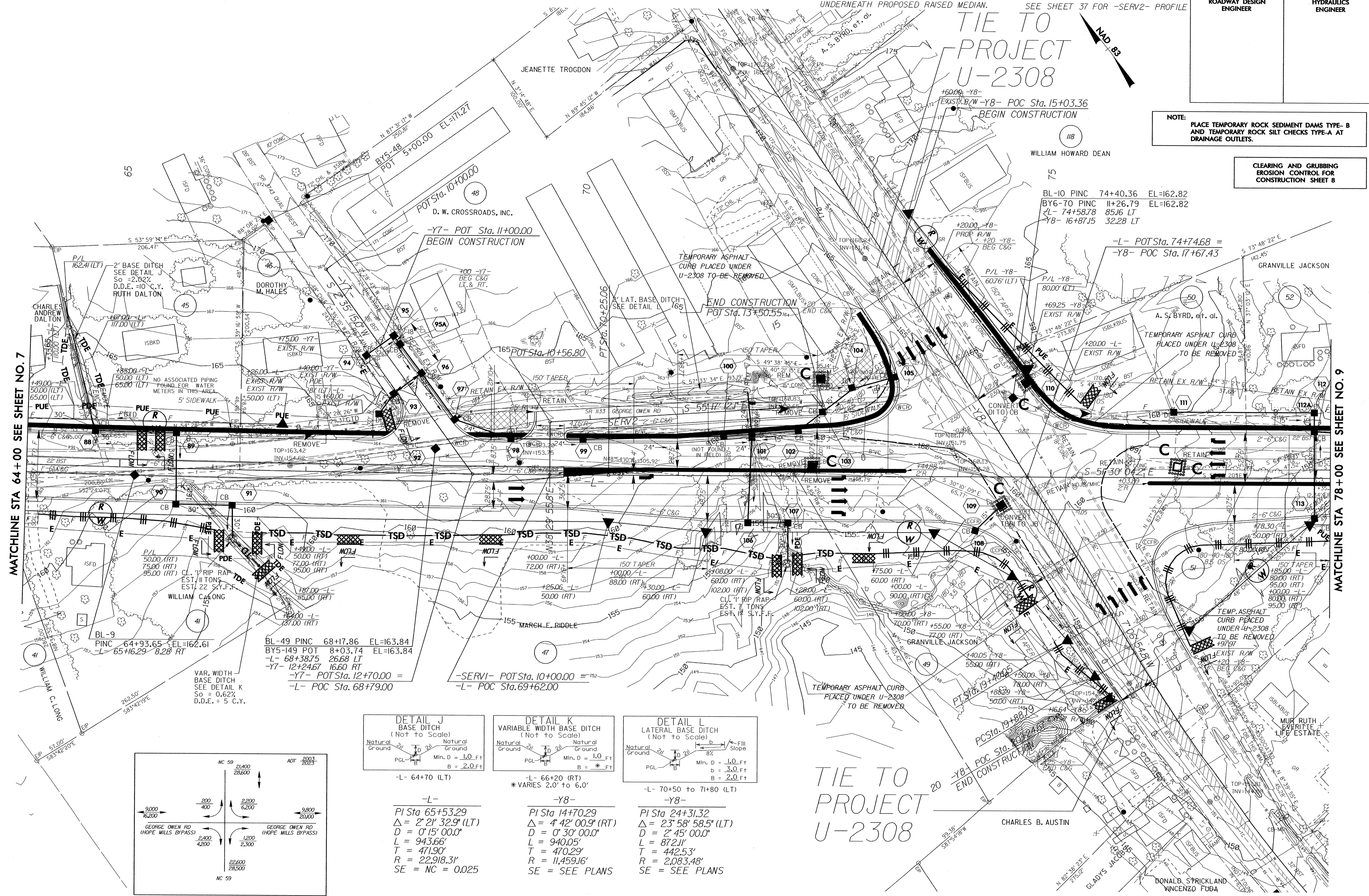
TIE TO
PROJECT
U-2308

NOTE: PLACE TEMPORARY ROCK SEDIMENT DAMS TYPE-B AND TEMPORARY ROCK SILT CHECKS TYPE-A AT DRAINAGE OUTLETS.

CLEARING AND GRUBBING
EROSION CONTROL FOR
CONSTRUCTION SHEET 8

MATCHLINE STA 64+00 SEE SHEET NO. 7

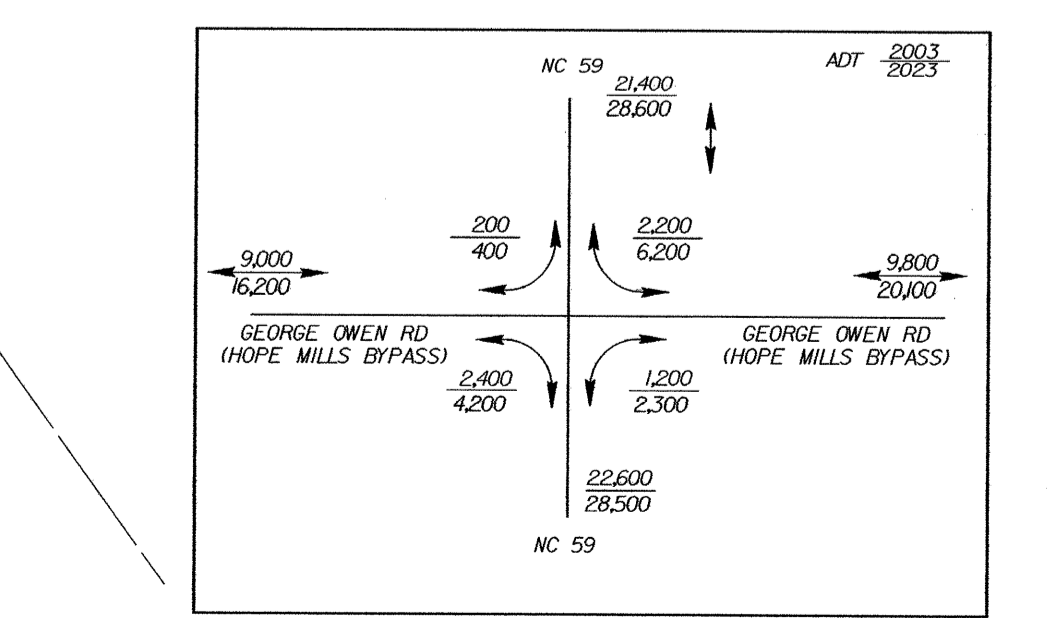
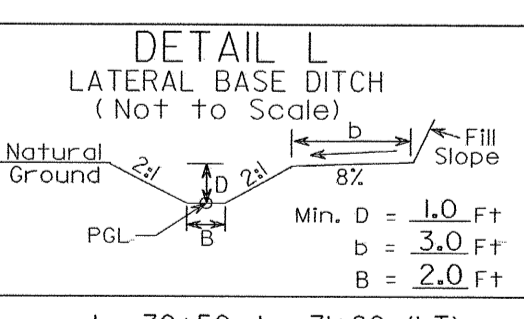
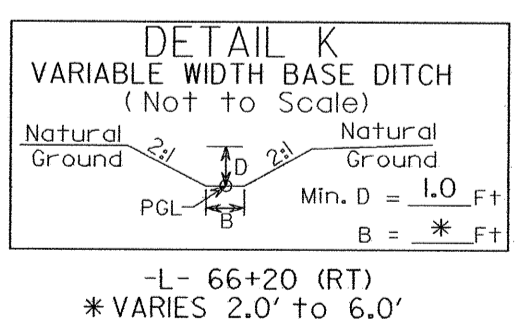
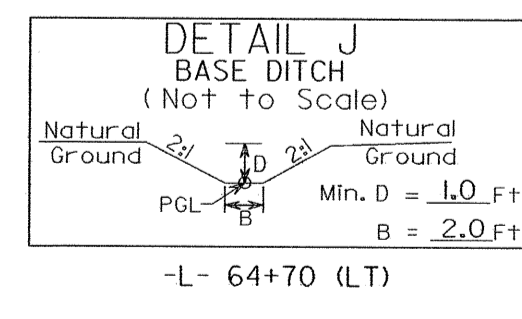
MATCHLINE STA 78+00 SEE SHEET NO. 9



VAR. WIDTH BASE DITCH SEE DETAIL K
So = 0.62%
D.D.E. = 5 C.Y.

BL-9 PINC 64+93.65 EL=162.61
-L- 65+16.29 8.28 RT

BL-49 PINC 68+17.86 EL=163.84
BY5-149 POT 8+03.74 EL=163.84
-L- 68+38.75 26.68 LT
-Y7- 12+24.67 16.60 RT
-Y7- POT Sta. 12+70.00 =
-L- POC Sta. 68+79.00



-L-
PI Sta 65+53.29
 $\Delta = 2' 21'' 32.9''$ (LT)
D = 0' 15' 00.0"
L = 943.66'
T = 471.90'
R = 22,918.31'
SE = NC = 0.025

-Y8-
PI Sta 14+70.29
 $\Delta = 4' 42'' 00.9''$ (RT)
D = 0' 30' 00.0"
L = 940.05'
T = 470.29'
R = 11,459.16'
SE = SEE PLANS

-Y8-
PI Sta 24+31.32
 $\Delta = 23' 58'' 58.5''$ (LT)
D = 2' 45' 00.0"
L = 872.11'
T = 442.53'
R = 2,083.48'
SE = SEE PLANS

TIE TO
PROJECT
U-2308

5' MONOLITHIC ISLAND (KEYED IN) & SIDEWALK
PAINT STRIPED LANE CLOSURE
PAVEMENT REMOVAL