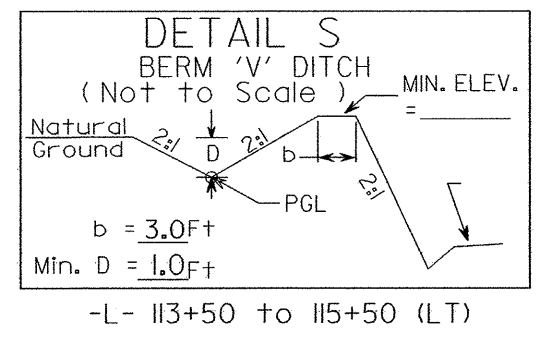
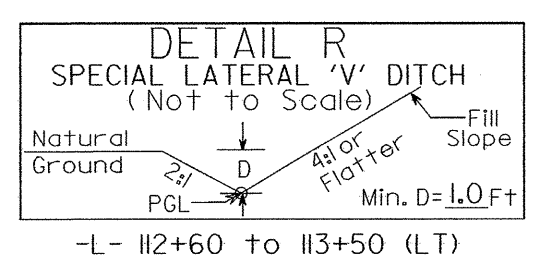
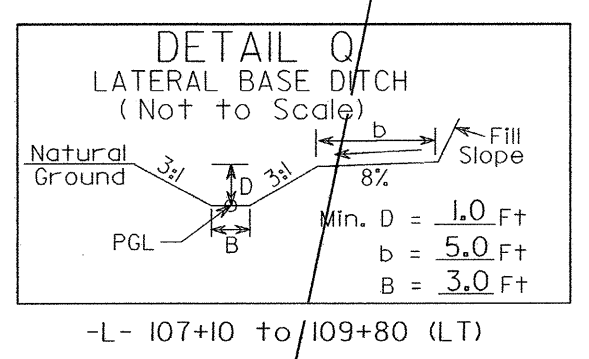
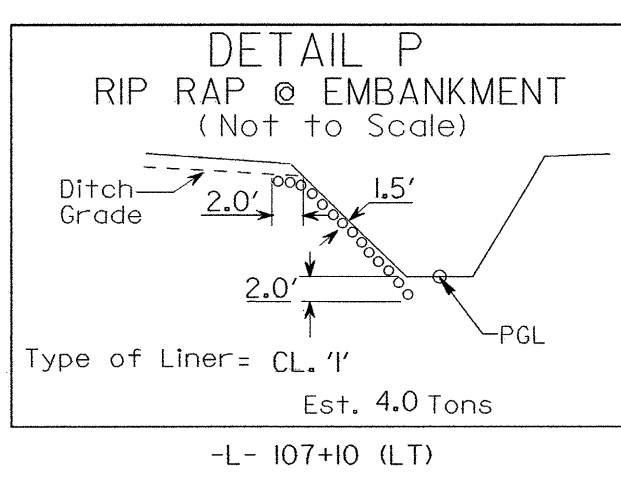
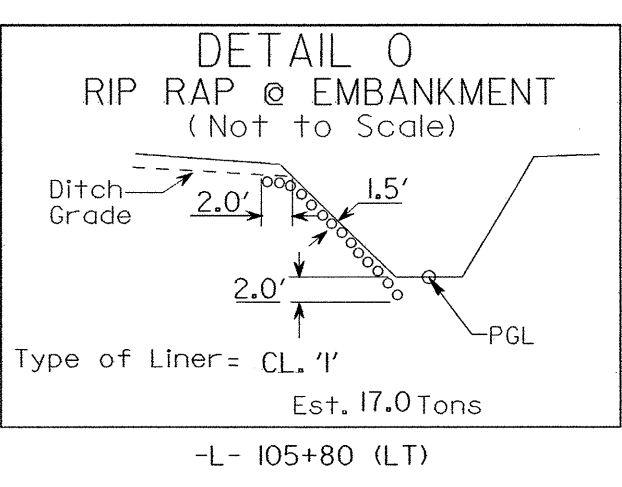
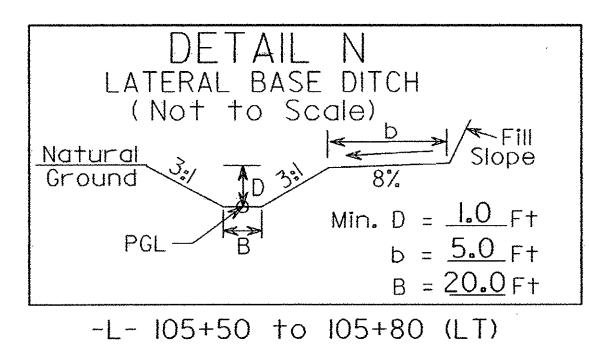


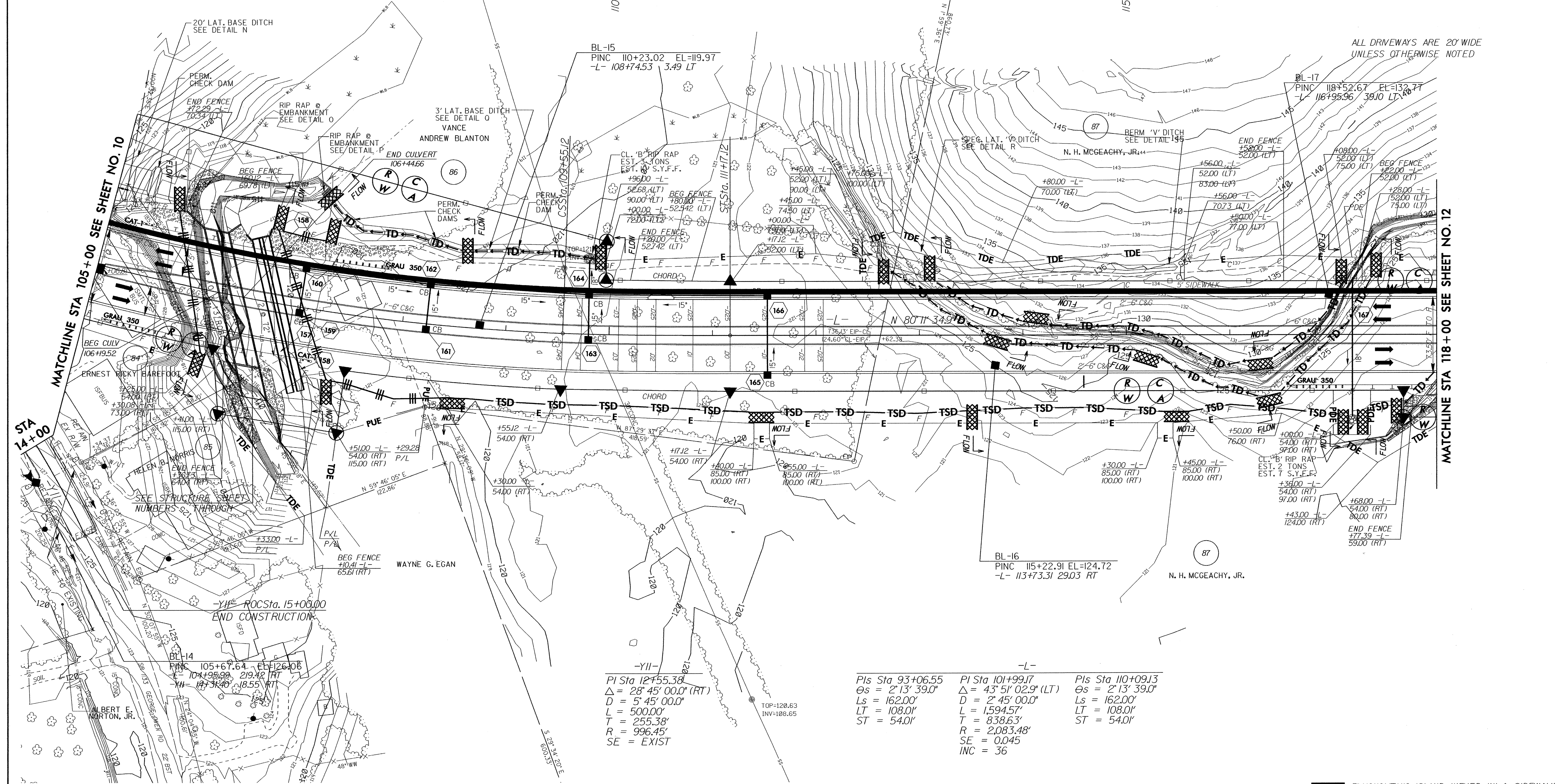
SEE SHEET 28 FOR -L- PROFILE
SEE SHEET 36 FOR -YII- PROFILE

PROJECT REFERENCE NO.		SHEET NO.	
U-0620		EC-10/CONST.II	
RW SHEET NO.			
ROADWAY DESIGN ENGINEER		HYDRAULICS ENGINEER	



NOTE: PLACE TEMPORARY ROCK SEDIMENT DAMS TYPE-B AND TEMPORARY ROCK SILT CHECKS TYPE-A AT DRAINAGE OUTLETS.

CLEARING AND GRUBBING EROSION CONTROL FOR CONSTRUCTION SHEET 11



-YII-
PI Sta 12455.38
 $\Delta = 28^{\circ} 45' 00.0''$ (RT)
D = 5' 45' 00.0"
L = 500.00'
T = 255.38'
R = 996.45'
SE = EXIST

-L-
Pls Sta 93+06.55
 $\Delta = 2^{\circ} 13' 39.0''$
Ls = 162.00'
LT = 108.01'
ST = 54.01'

PI Sta 101+99.17
 $\Delta = 43^{\circ} 51' 02.9''$ (LT)
D = 2' 45' 00.0"
L = 1594.57'
T = 838.63'
R = 2,083.48'
SE = 0.045
INC = 36

Pls Sta 110+09.13
 $\Delta = 2^{\circ} 13' 39.0''$
Ls = 162.00'
LT = 108.01'
ST = 54.01'

5' MONOLITHIC ISLAND (KEYED IN) & SIDEWALK
PAINT STRIPED LANE CLOSURE
PAVEMENT REMOVAL