

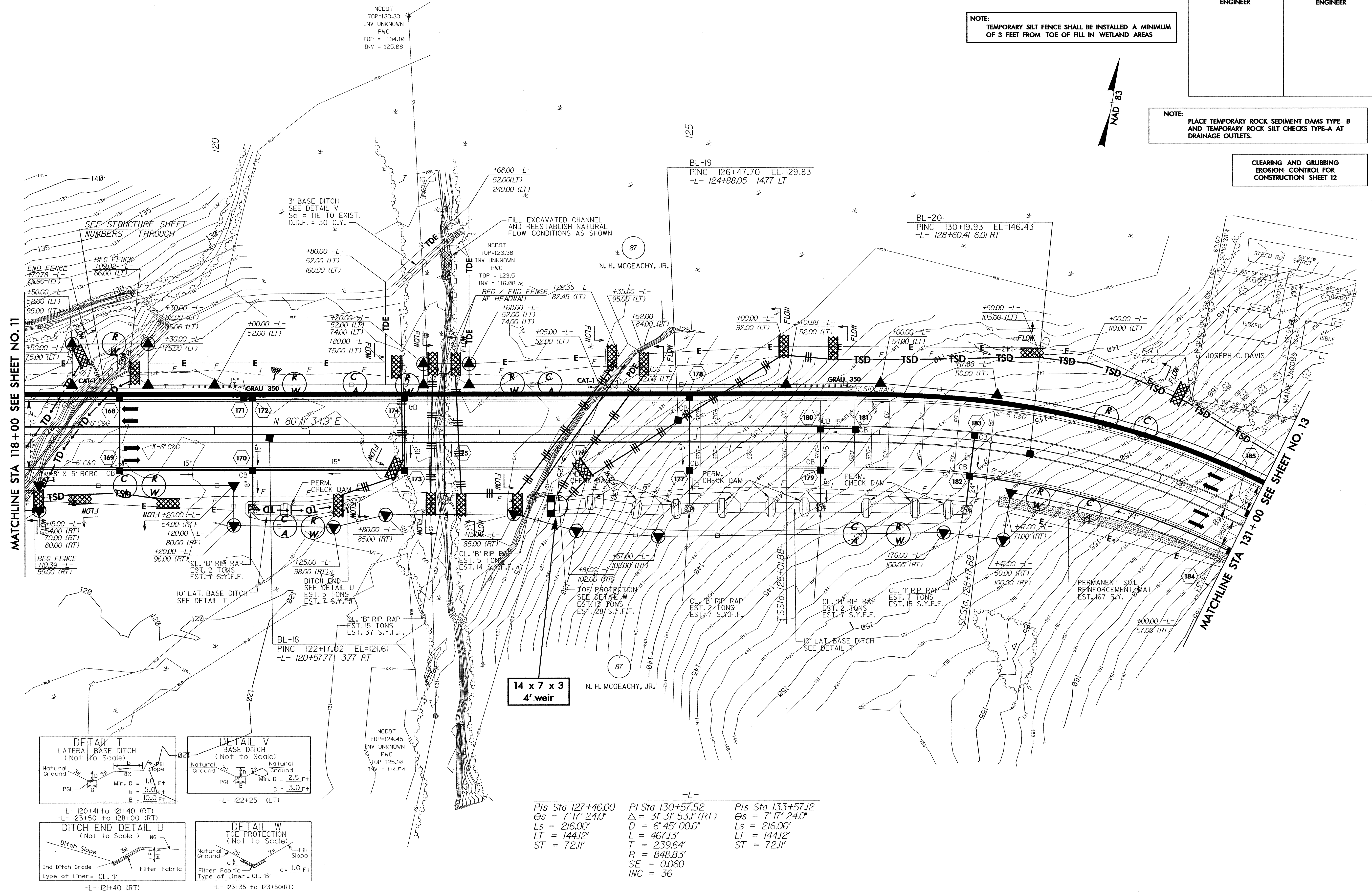
PROJECT REFERENCE NO.		SHEET NO.	
U-0620		EC-12/CONST.12	
RW SHEET NO.			
ROADWAY DESIGN ENGINEER		HYDRAULICS ENGINEER	

SEE SHEET 29 FOR -L- PROFILE  
ALL DRIVEWAYS ARE 20' WIDE  
UNLESS OTHERWISE NOTED

NOTE:  
TEMPORARY SILT FENCE SHALL BE INSTALLED A MINIMUM  
OF 3 FEET FROM TOE OF FILL IN WETLAND AREAS

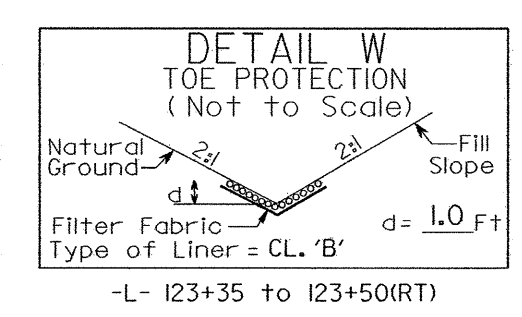
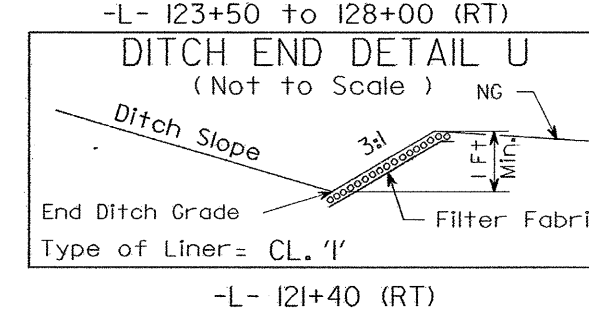
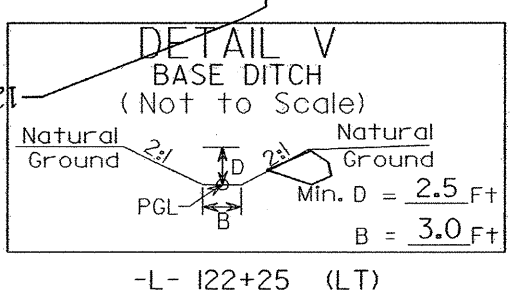
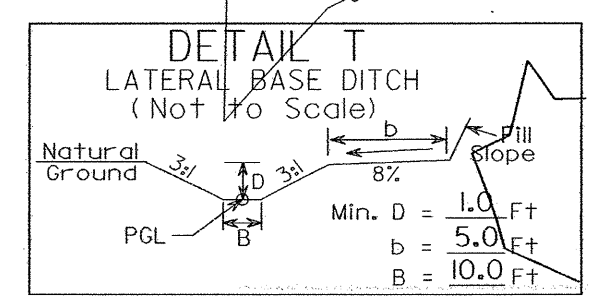
NOTE:  
PLACE TEMPORARY ROCK SEDIMENT DAMS TYPE-B  
AND TEMPORARY ROCK SILT CHECKS TYPE-A AT  
DRAINAGE OUTLETS.

CLEARING AND GRUBBING  
EROSION CONTROL FOR  
CONSTRUCTION SHEET 12



MATCHLINE STA 118+00 SEE SHEET NO. 11

MATCHLINE STA 131+00 SEE SHEET NO. 13



**14 x 7 x 3  
4' weir**

-L-  
 Pts Sta 127+46.00    PI Sta 130+57.52    Pts Sta 133+57.12  
 Os = 7° 17' 24.0"    Δ = 31° 31' 53.1" (RT)    Os = 7° 17' 24.0"  
 Ls = 216.00'    D = 6' 45" 00.0"    Ls = 216.00'  
 LT = 144.12'    L = 467.13'    LT = 144.12'  
 ST = 72.11'    T = 239.64'    ST = 72.11'  
                   R = 848.83'  
                   SE = 0.060  
                   INC = 36

5' MONOLITHIC ISLAND (KEYED IN) & SIDEWALK  
 PAINT STRIPED LANE CLOSURE  
 PAVEMENT REMOVAL