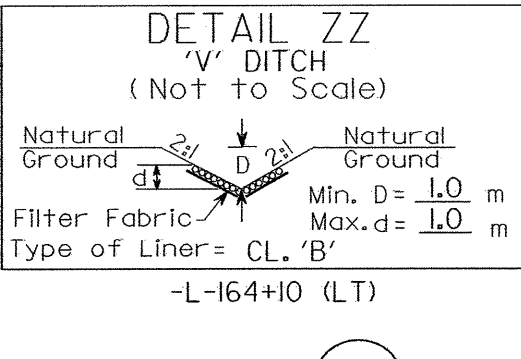
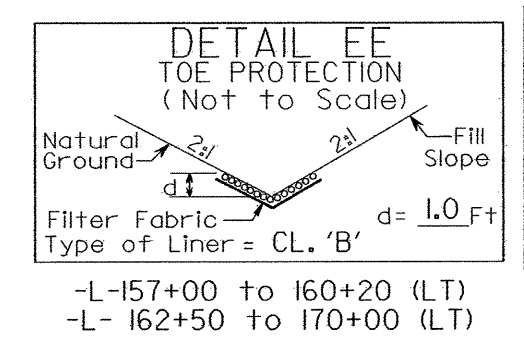


PROJECT REFERENCE NO.	SHEET NO.
U-0620	EC-16/CONST.15
RW SHEET NO.	
ROADWAY DESIGN ENGINEER	HYDRAULICS ENGINEER

NOTE: PLACE TEMPORARY ROCK SEDIMENT DAMS TYPE-B AND TEMPORARY ROCK SILT CHECKS TYPE-A AT DRAINAGE OUTLETS.

CLEARING AND GRUBBING EROSION CONTROL FOR CONSTRUCTION SHEET 15

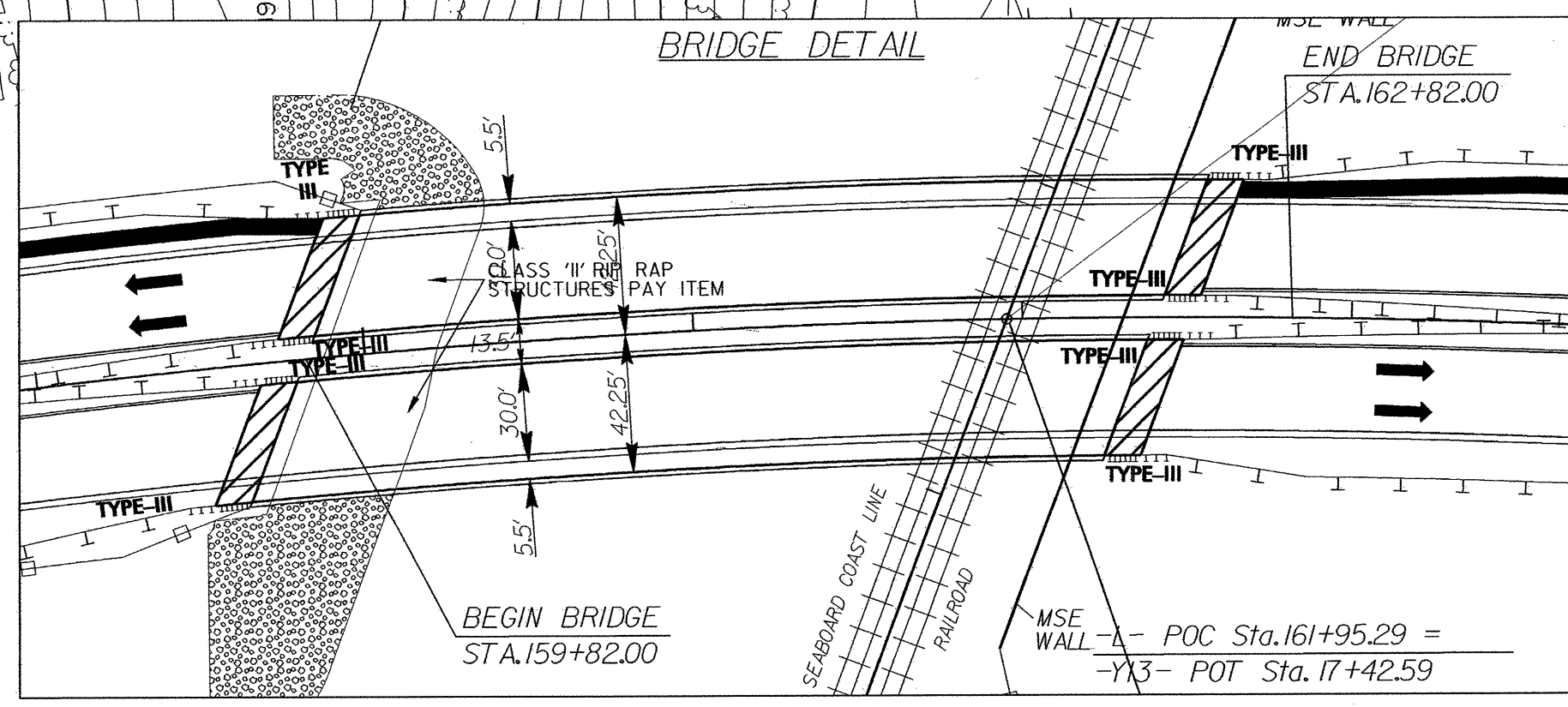
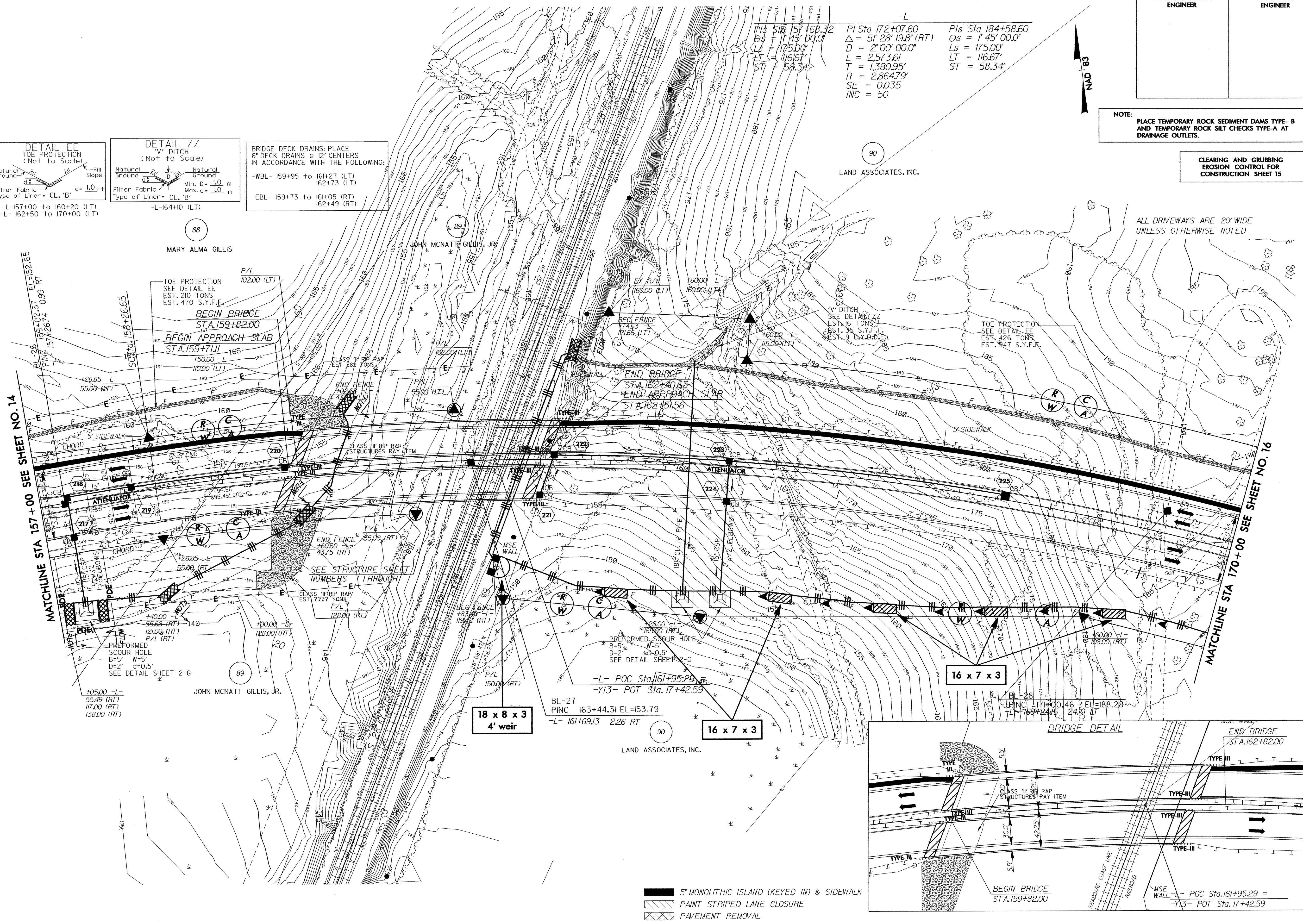
-L-
 PI Sta 172+07.60
 $\Delta = 5' 28' 19.8" (RT)$
 $D = 2' 00' 00.0"$
 $L = 2.573.61$
 $T = 1,380.95'$
 $R = 2,864.79'$
 $SE = 0.035$
 $INC = 50$



BRIDGE DECK DRAINS: PLACE 6" DECK DRAINS @ 12" CENTERS IN ACCORDANCE WITH THE FOLLOWING:

-WBL- 159+95 to 161+27 (LT)
162+73 (LT)

-EBL- 159+73 to 161+05 (RT)
162+49 (RT)



5" MONOLITHIC ISLAND (KEYED IN) & SIDEWALK
 PAINT STRIPED LANE CLOSURE
 PAVEMENT REMOVAL