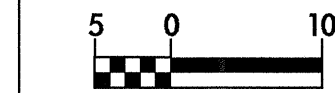


REVISIONS



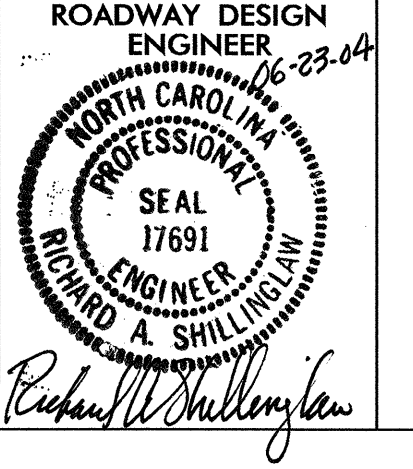
PROJECT REFERENCE NO. R-2610B SHEET NO. 2-BB

R / W SHEET NO.



CONST. REV.

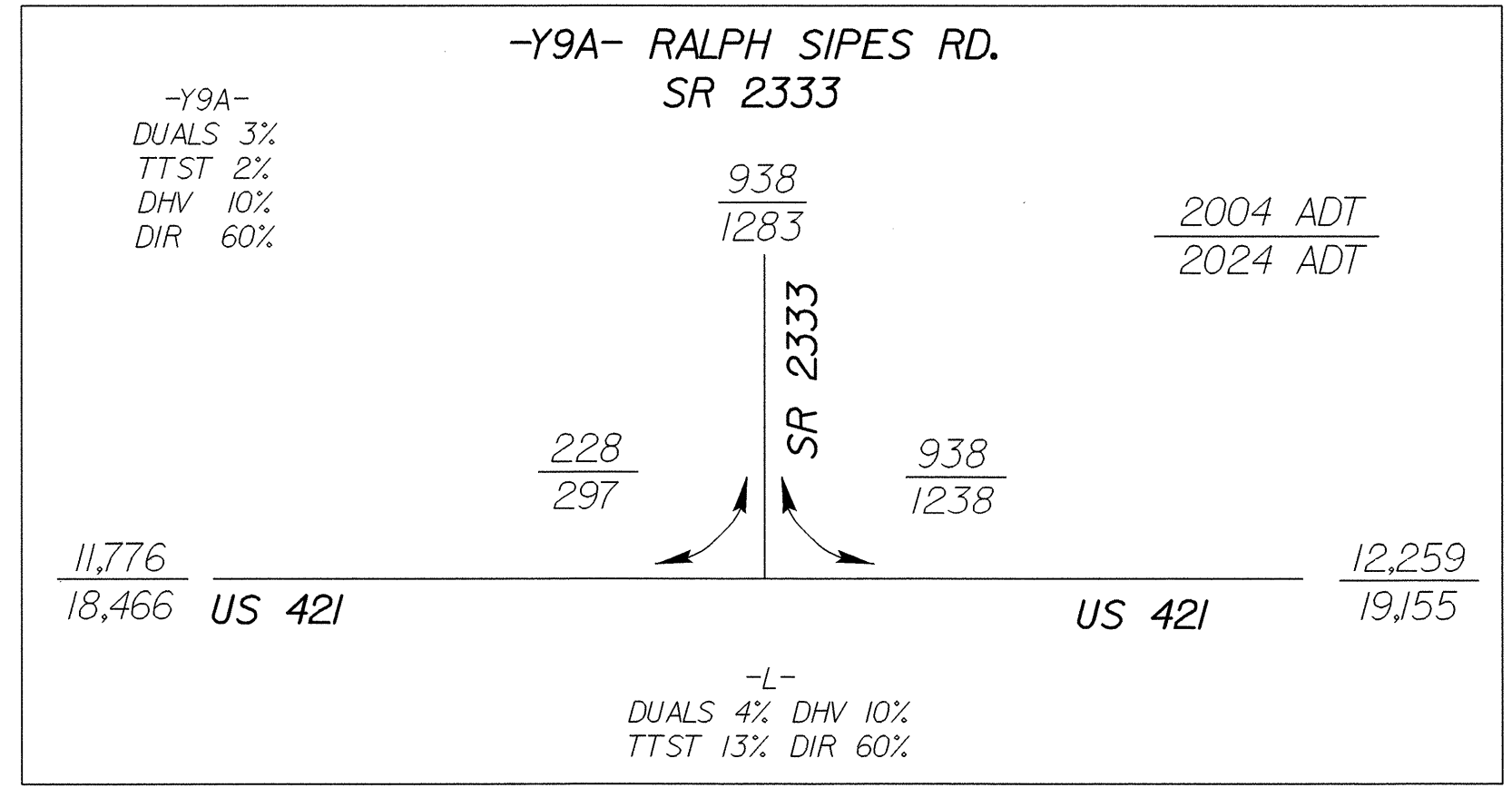
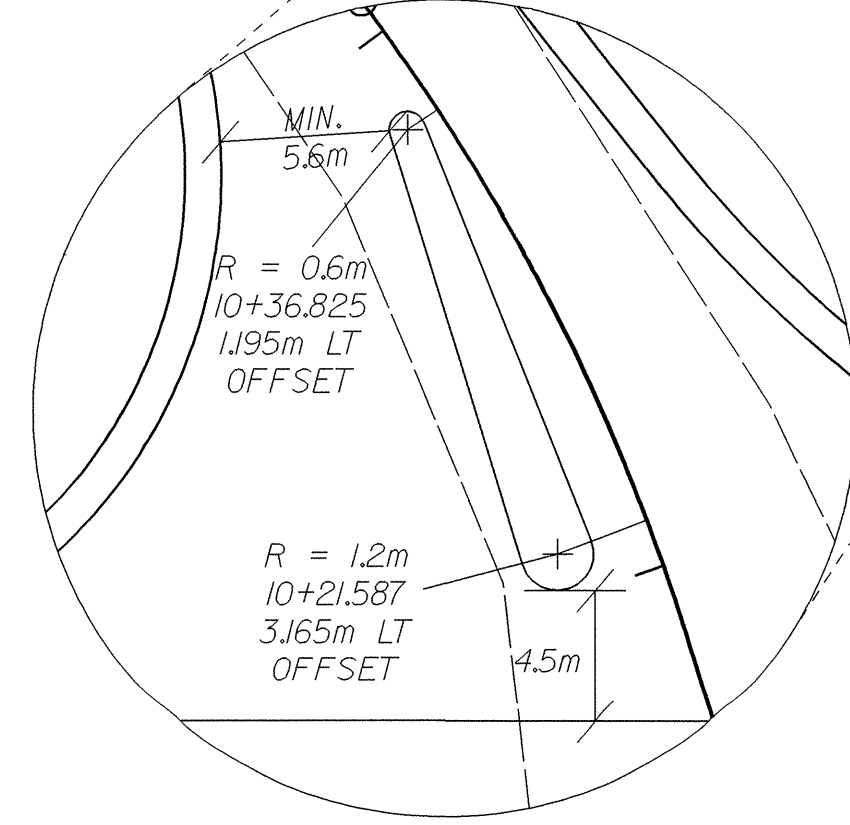
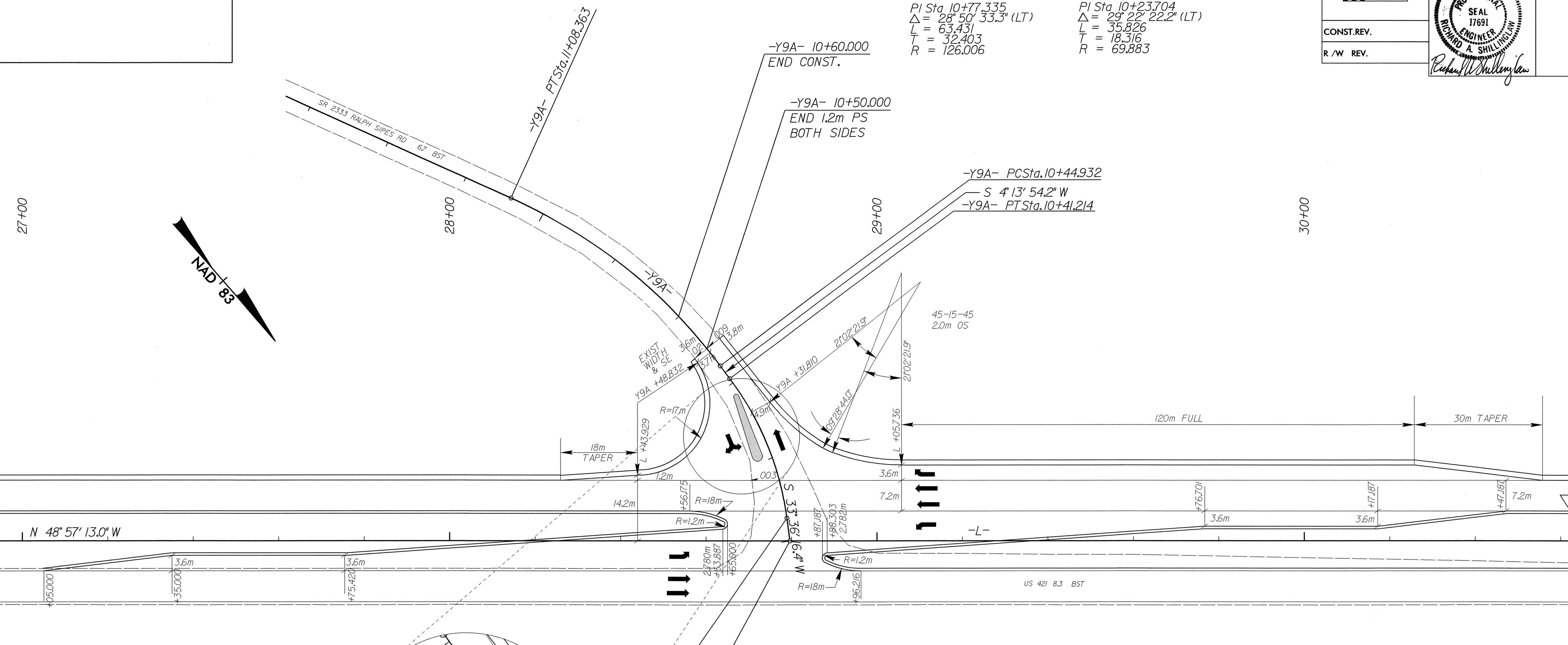
R / W REV.



10/26/98

03-JUN-2004 13:44 RShillinglaw

-Y9A-	-Y9A-
PI Sta 10+77.335	PI Sta 10+23.704
$\Delta = 28^\circ 50' 33.3''$ (LT)	$\Delta = 29^\circ 22' 22.2''$ (LT)
L = 63.431	L = 35.826
T = 32.403	T = 18.316
R = 126.006	R = 69.883



-L- POT Sta 28+79.607 =
-Y9A- POT Sta 10+00.000
-Y9A- PC Sta 10+05.389

N 48° 57' 13.0" W

