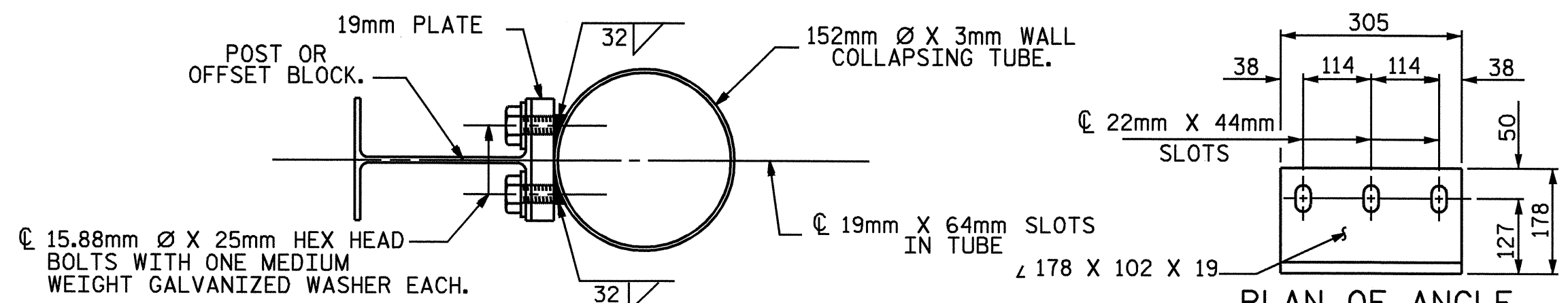


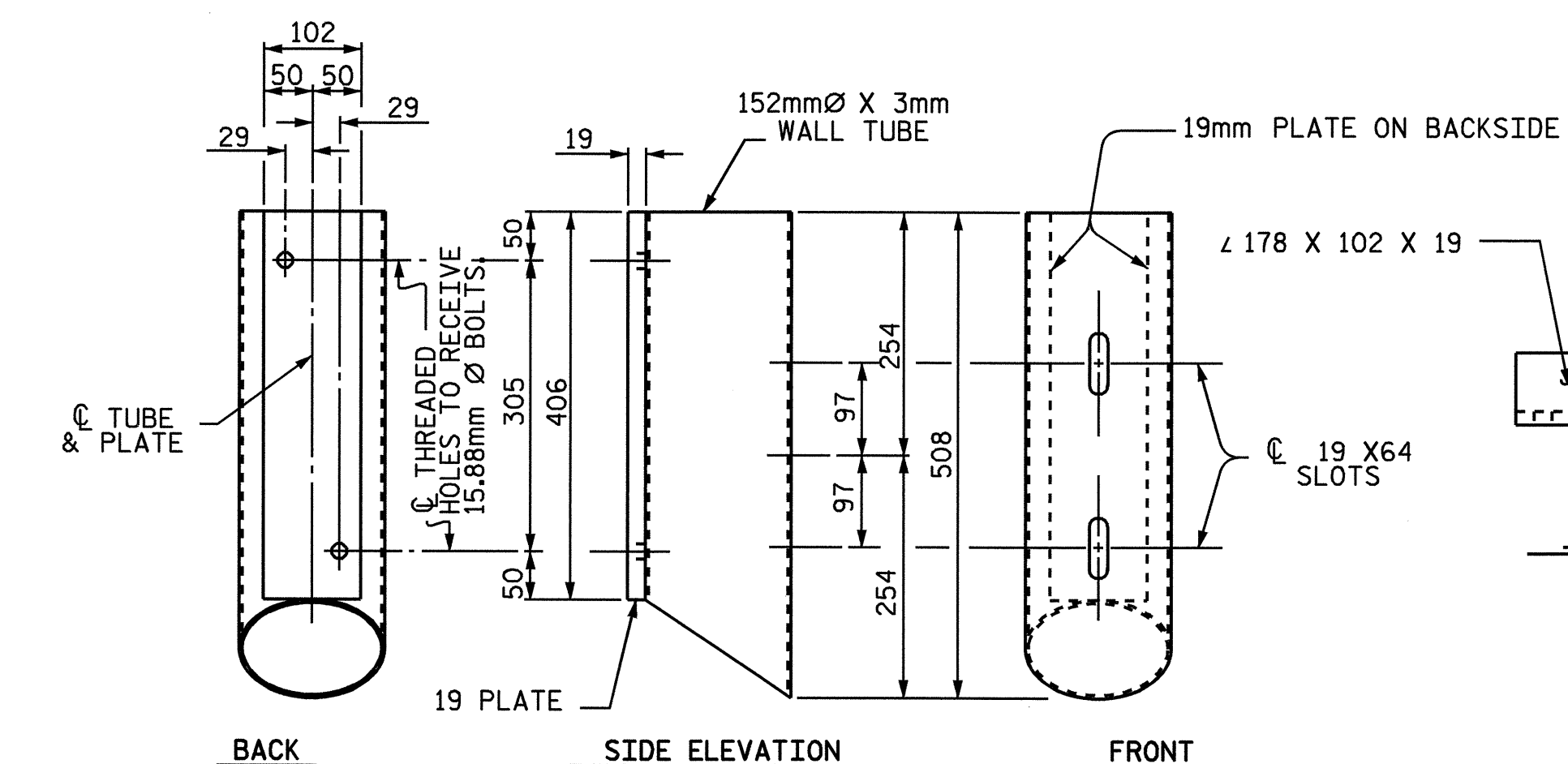
STATE	PROJECT NO.	SHEET NO.	TOTAL SHEETS
N. C.	R-2610B	2-FF	
F. A. PROJ. NO.			

NOTE A : HEIGHT OF POST BP7 (DIMENSION A) SHALL BE DETERMINED IN THE FIELD SO THAT THE C OF THE TUBULAR BEAM IS 560mm ABOVE TOP OF SLAB OR TOP OF WEARING SURFACE.

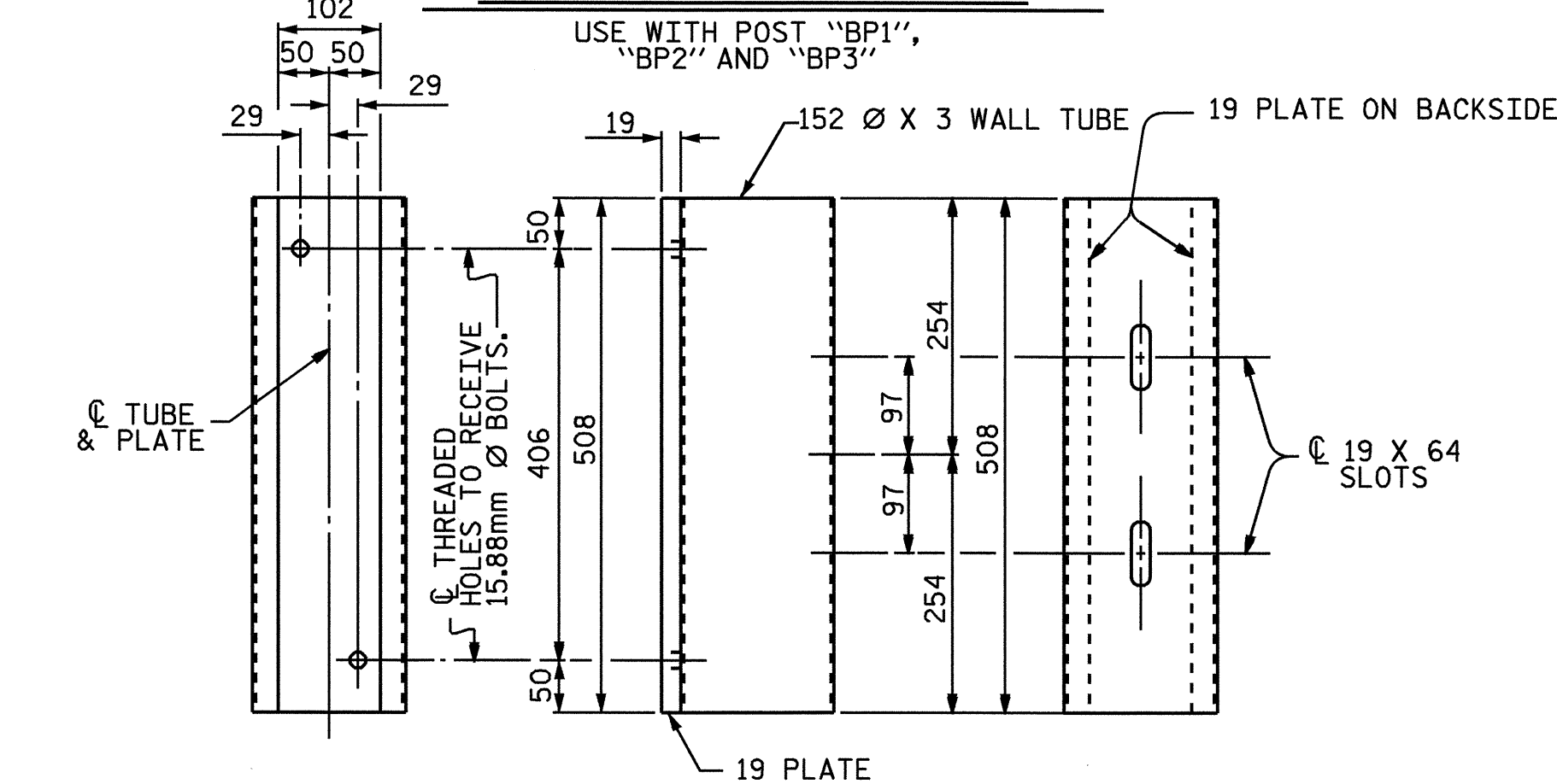
NOTE B : SLOT TO BE DRILLED ON SIDE OF WEB FACING "ONCOMING TRAFFIC".



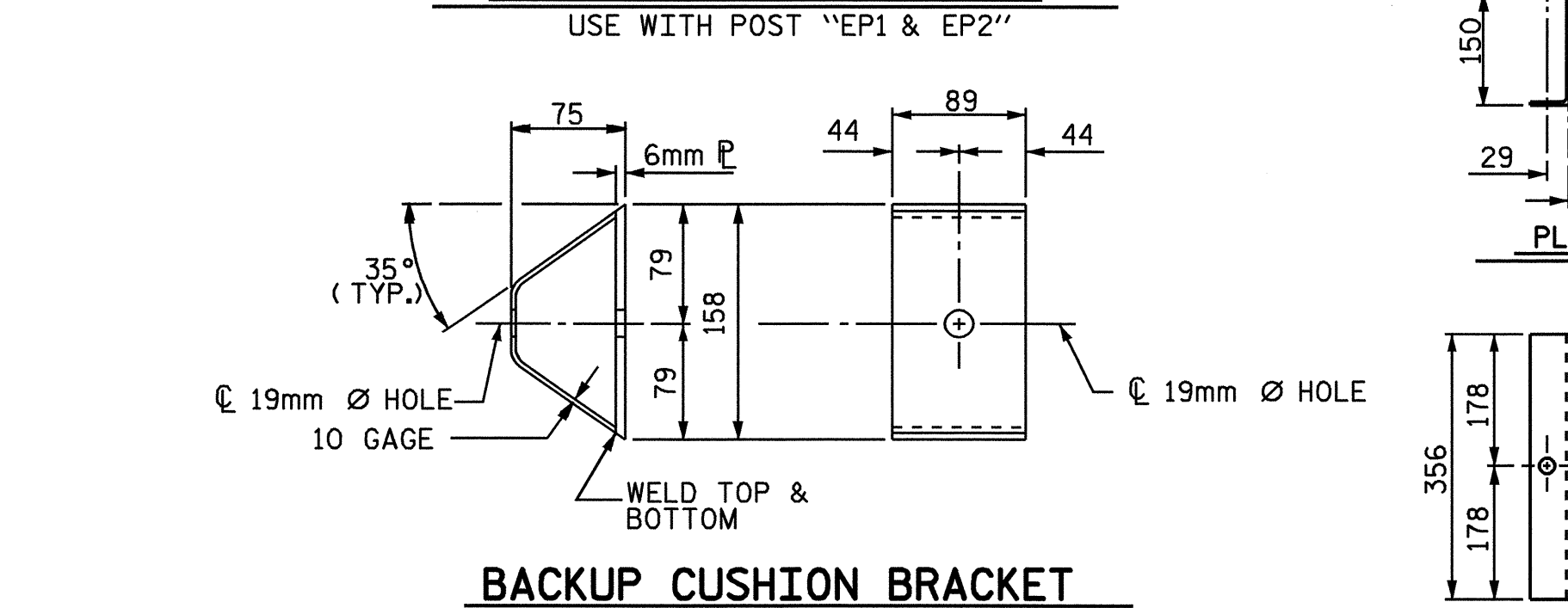
DETAIL SHOWING CONNECTION OF 152mm Ø TUBE TO POST OR OFFSET BLOCK



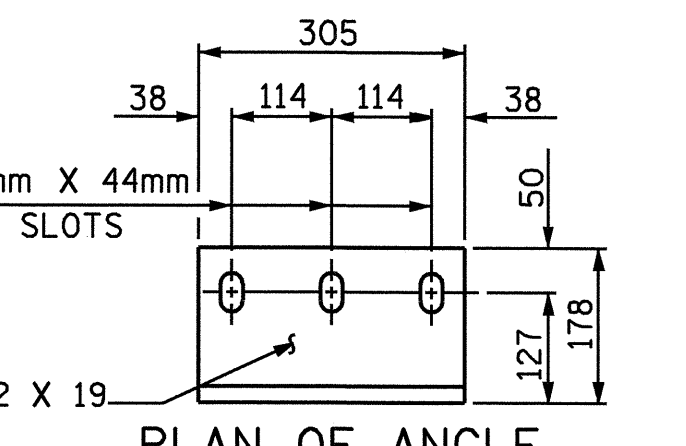
152mm Ø TUBE DETAILS



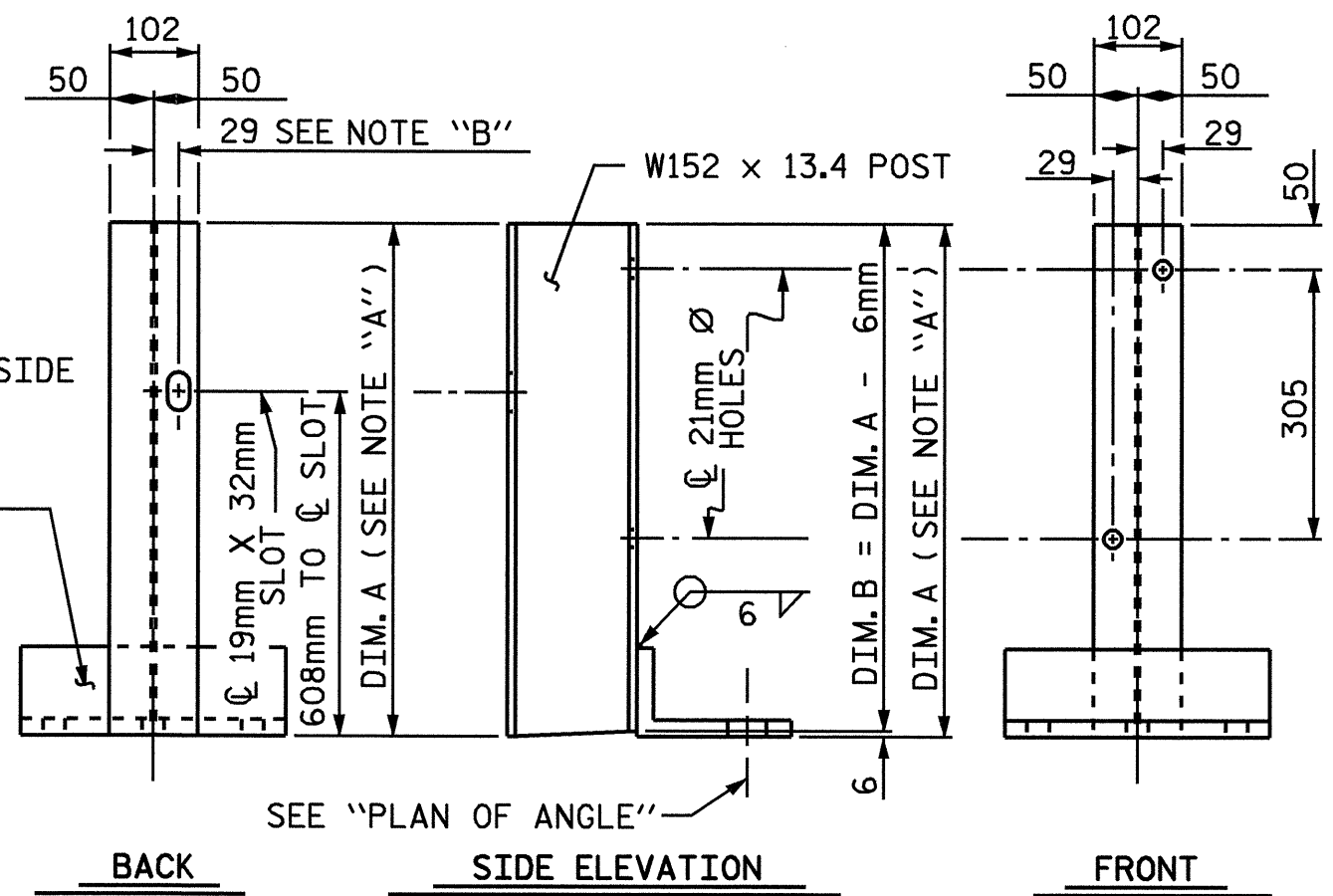
152mm Ø TUBE DETAILS



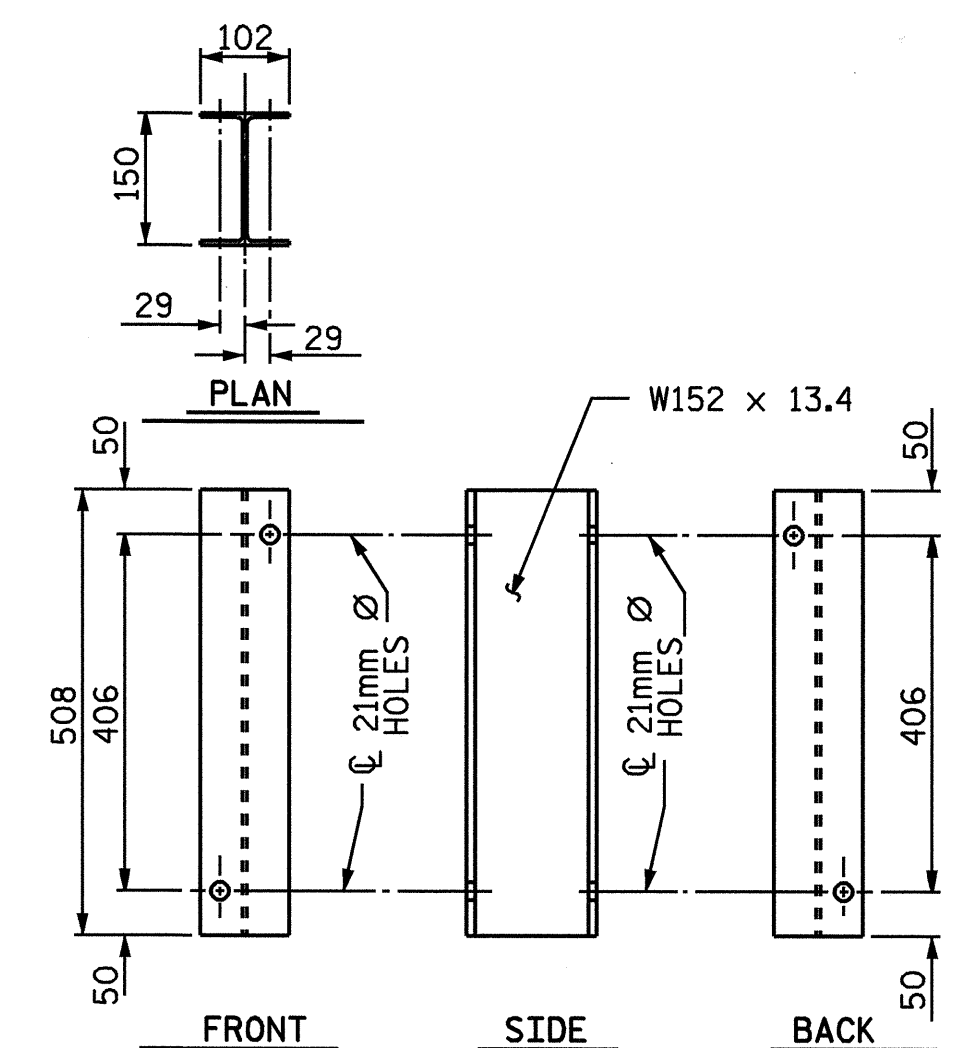
BACKUP CUSHION BRACKET



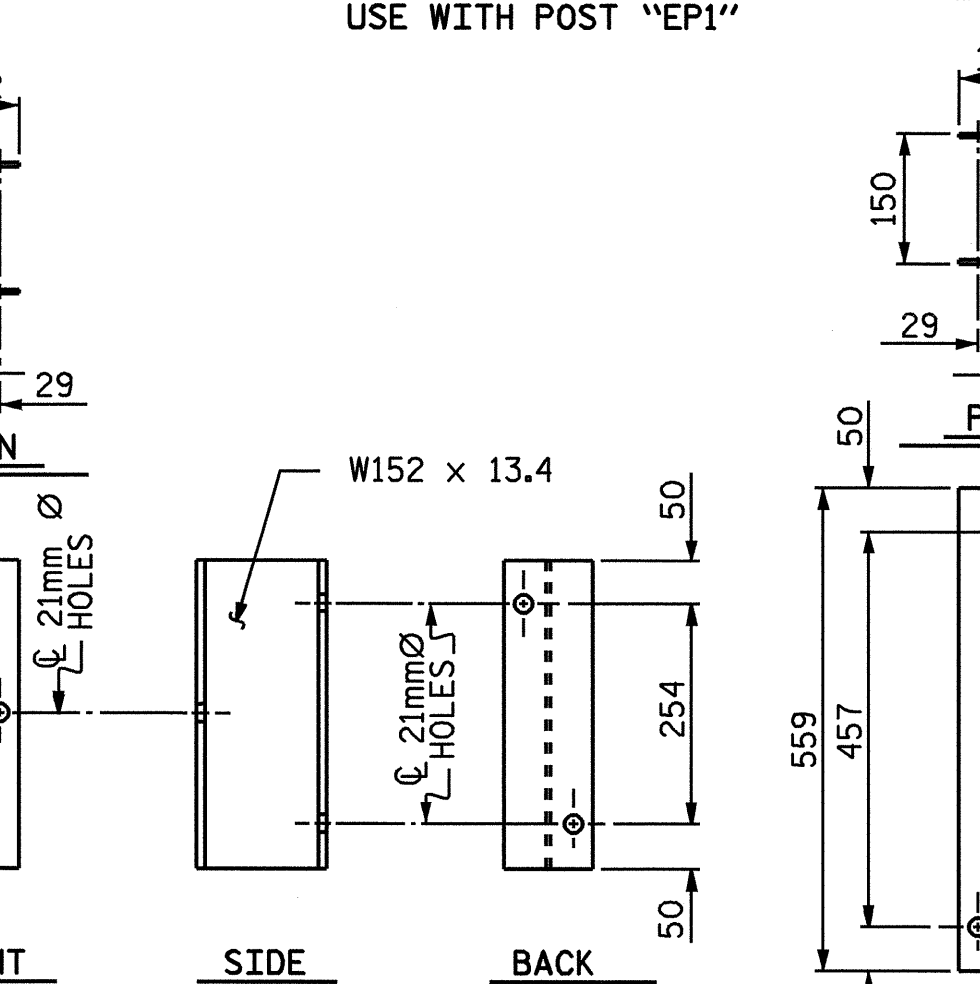
PLAN OF ANGLE



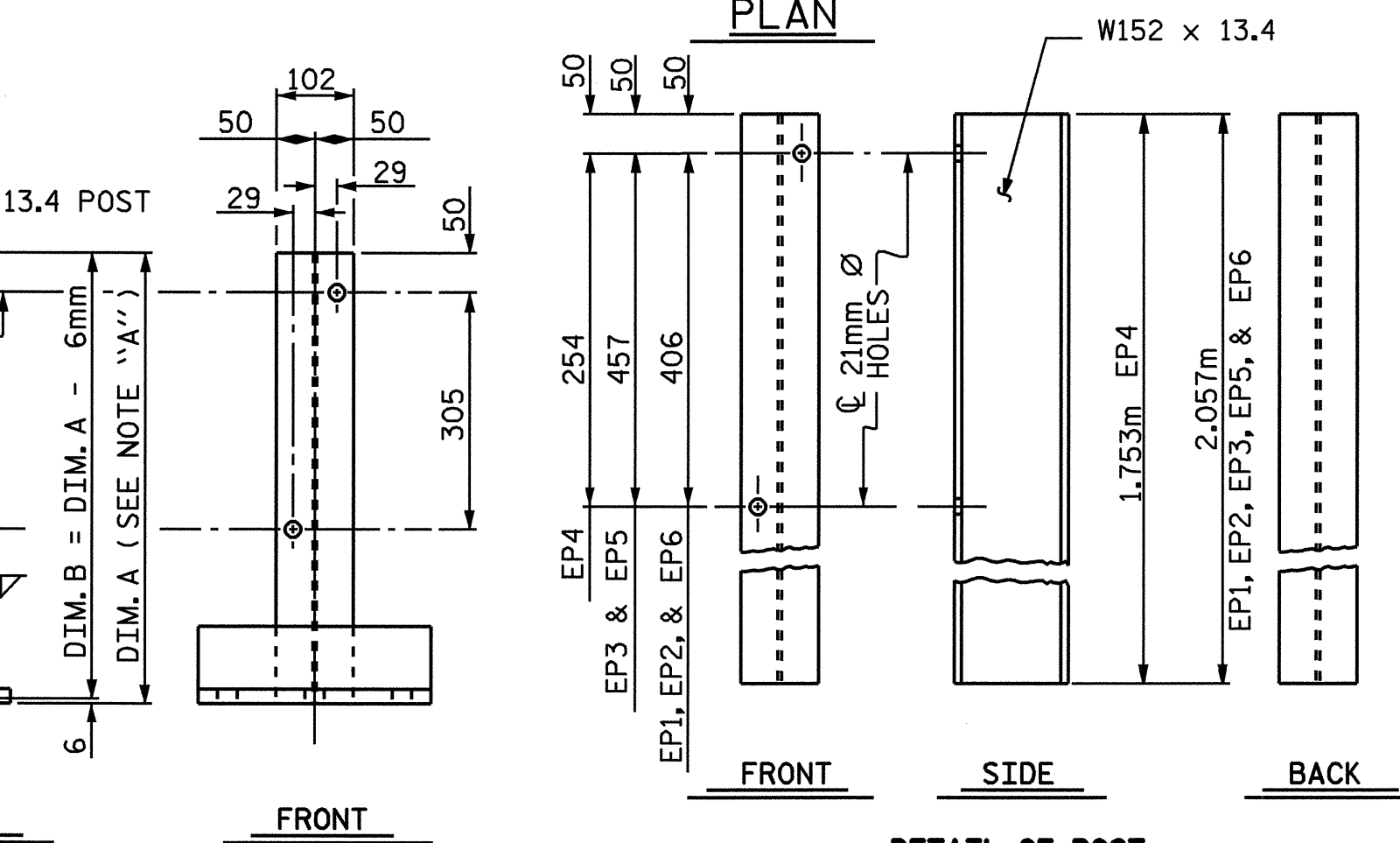
BP7 POST DETAILS



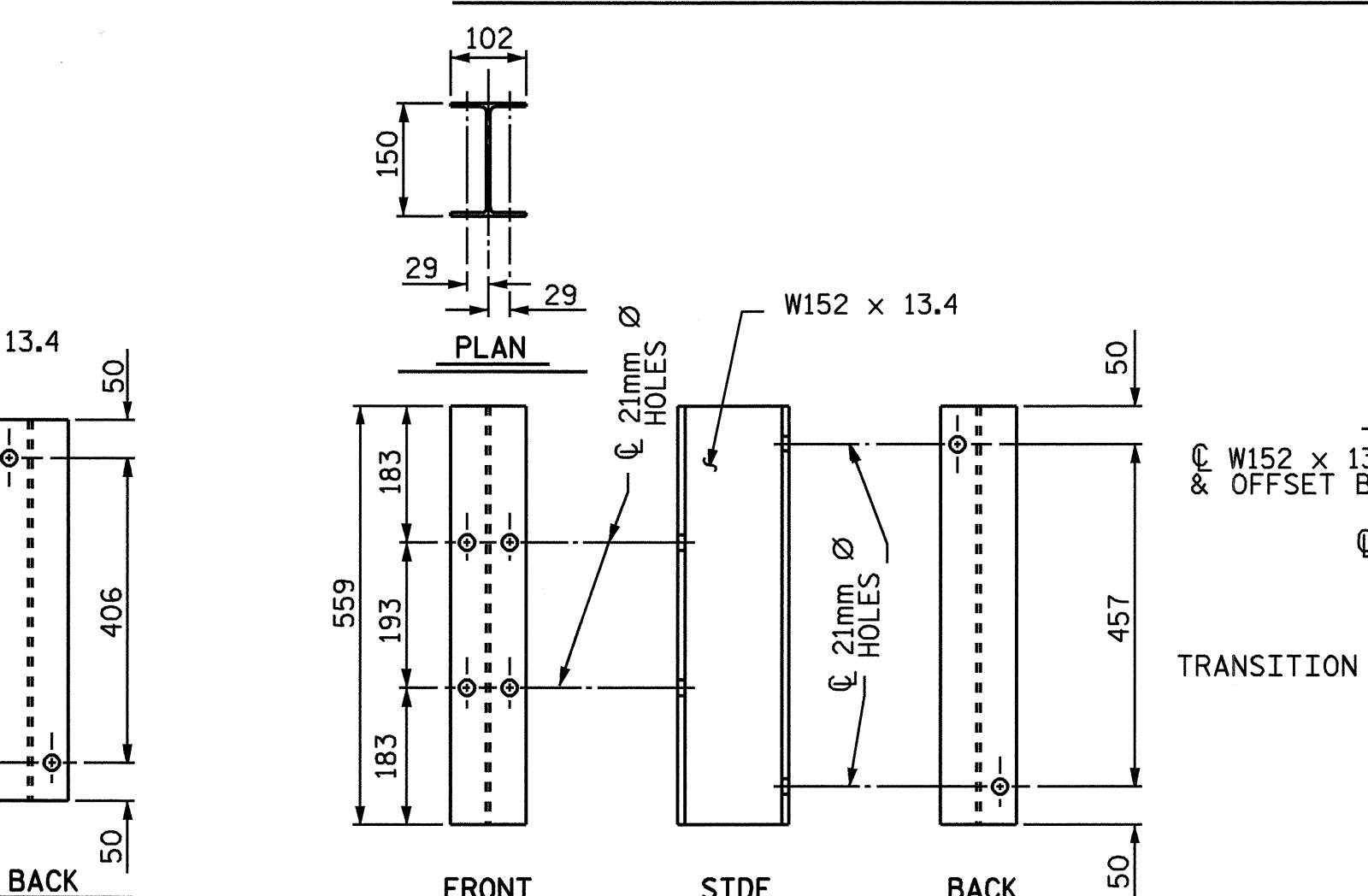
DETAILS OF OFFSET BLOCK 1



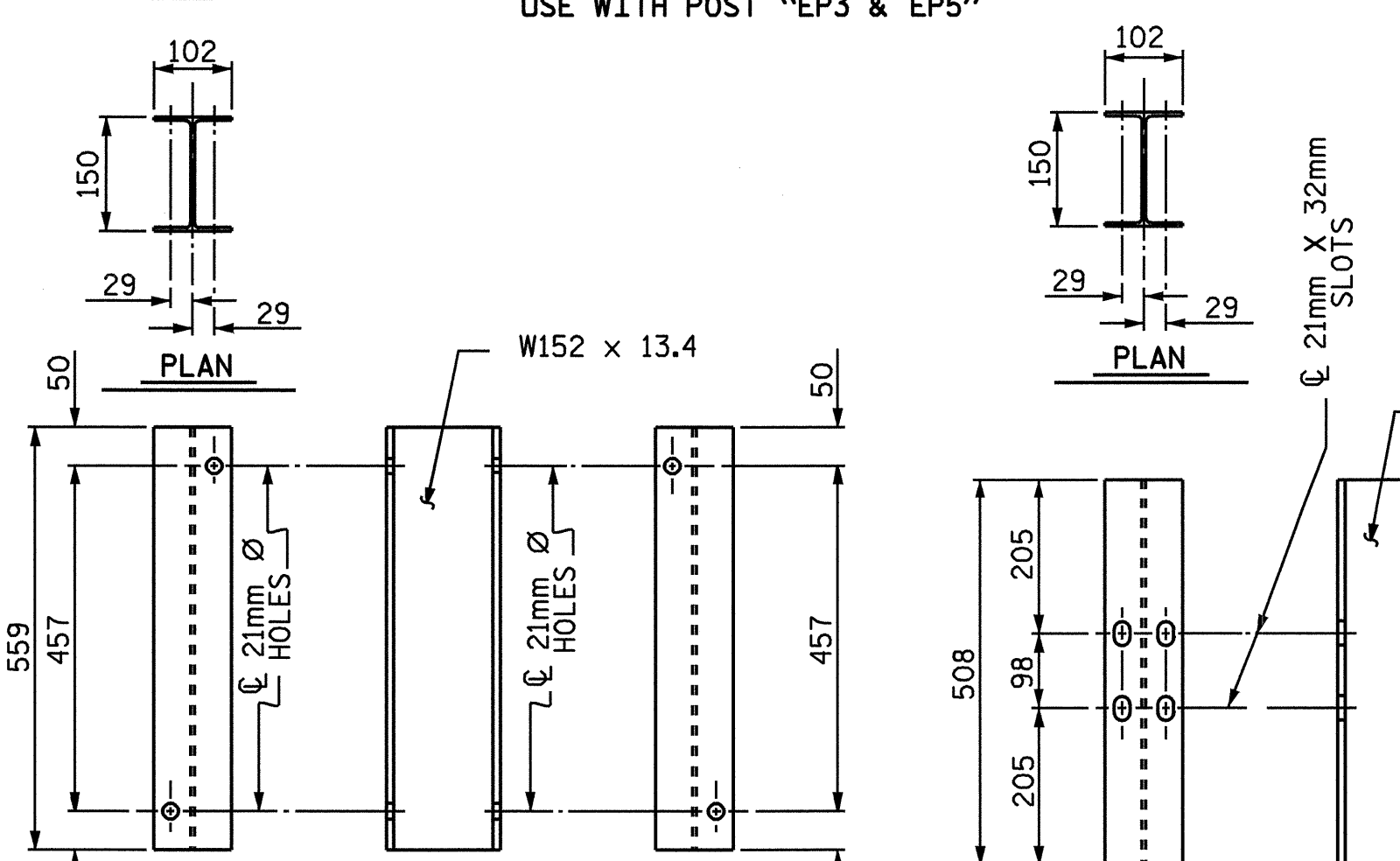
DETAILS OF OFFSET BLOCK 2



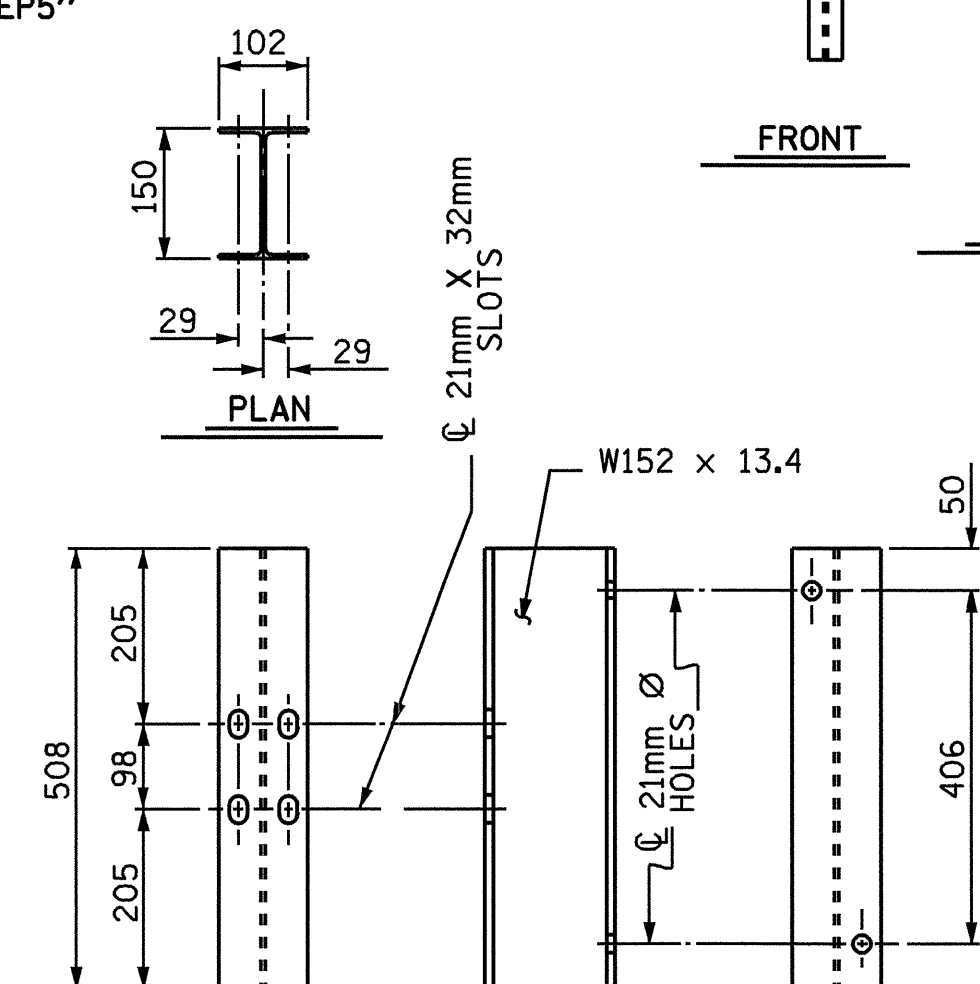
DETAIL OF POST



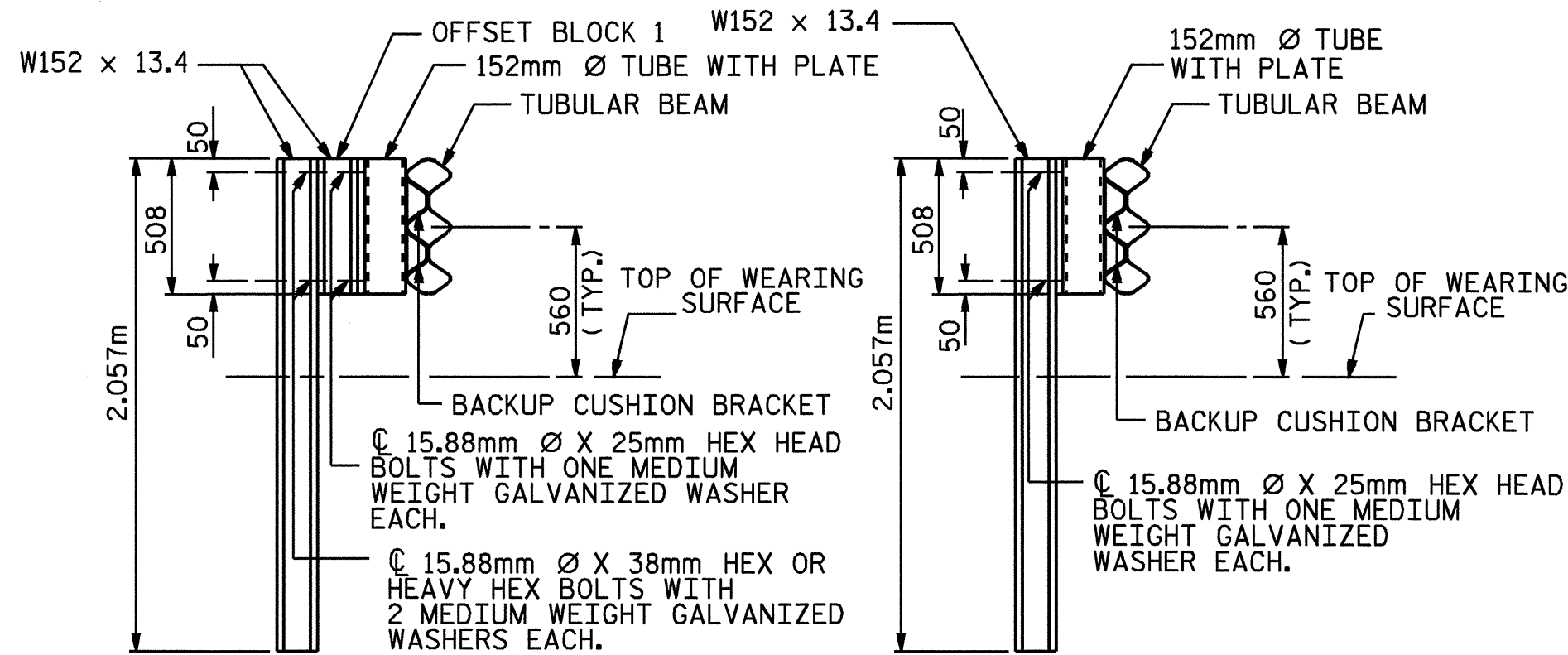
DETAILS OF OFFSET BLOCK 3



DETAILS OF OFFSET BLOCK 4

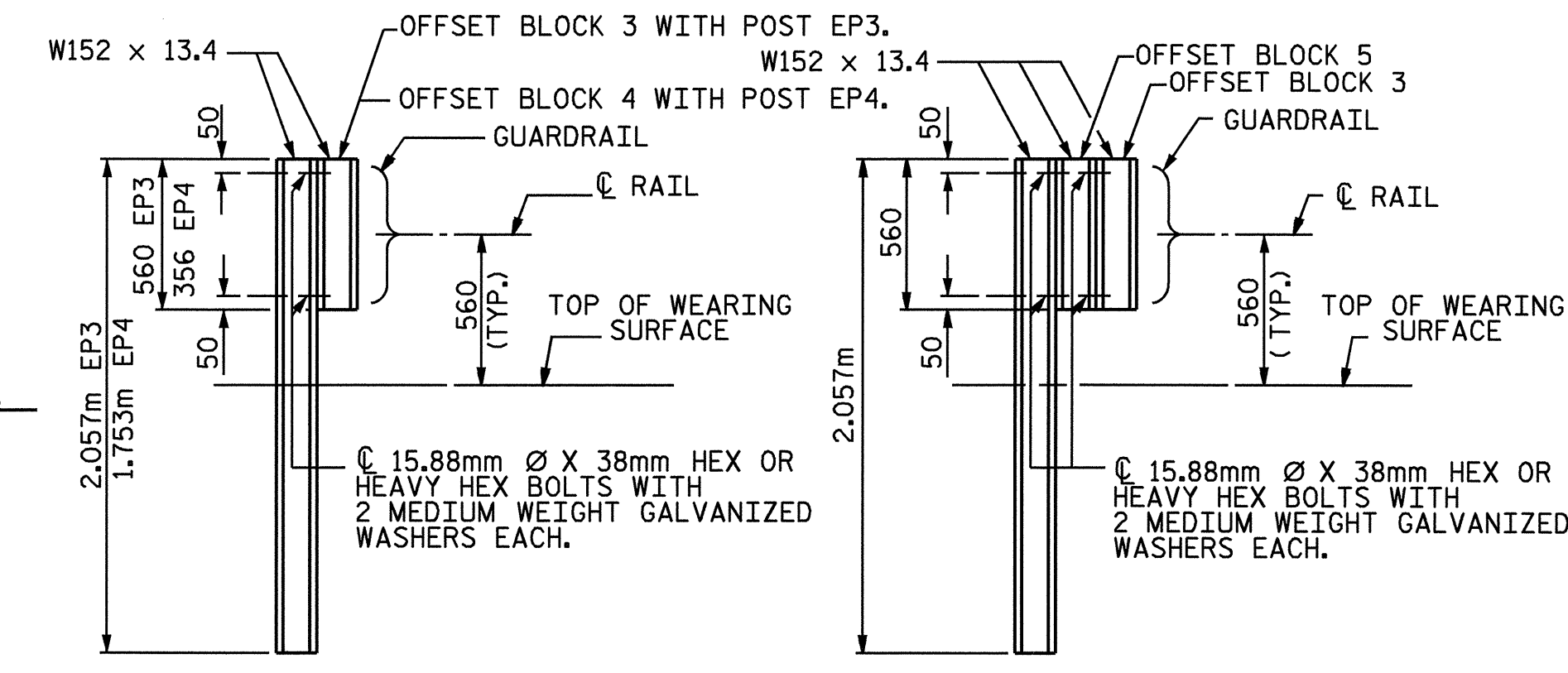


DETAILS OF OFFSET BLOCK 5



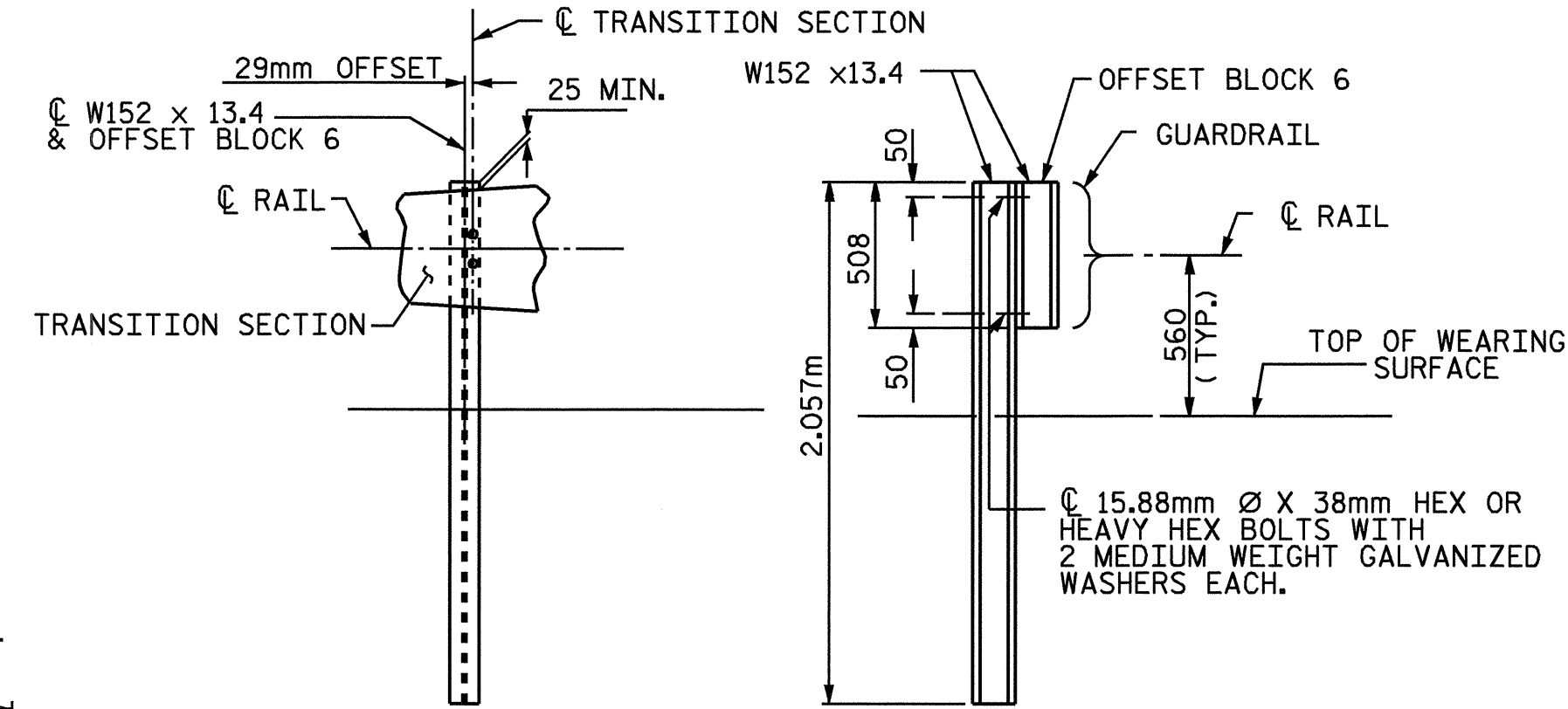
POST "EP1"

POST "EP2"



POST "EP3" & "EP4"

POST "EP5"



POST "EP6"

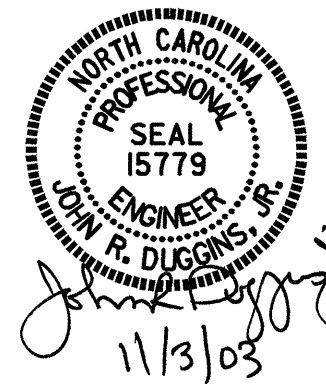
PROJECT NO. R-2610B

CHATHAM COUNTY

STATION: _____

SHEET 4 OF 6

STATE OF NORTH CAROLINA DEPARTMENT OF TRANSPORTATION RALEIGH					
DETAILS FOR RETROFIT OF EXISTING BRIDGE RAIL WITH TUBULAR BEAM GUARDRAIL					
REVISIONS					TOTAL SHEETS
NO.	BY:	DATE:	NO.	BY:	DATE:
1			3		
2			4		



ASSEMBLED BY: <u>M.E. POOLE</u>	DATE: <u>10/03</u>	SPECIAL
CHECKED BY: <u>J.R. DUGGINS</u>	DATE: <u>10/03</u>	
DRAWN BY: <u>N.M. RUFFIN</u>	DATE: <u>5/88</u>	STANDARD
CHECKED BY: _____	DATE: _____	