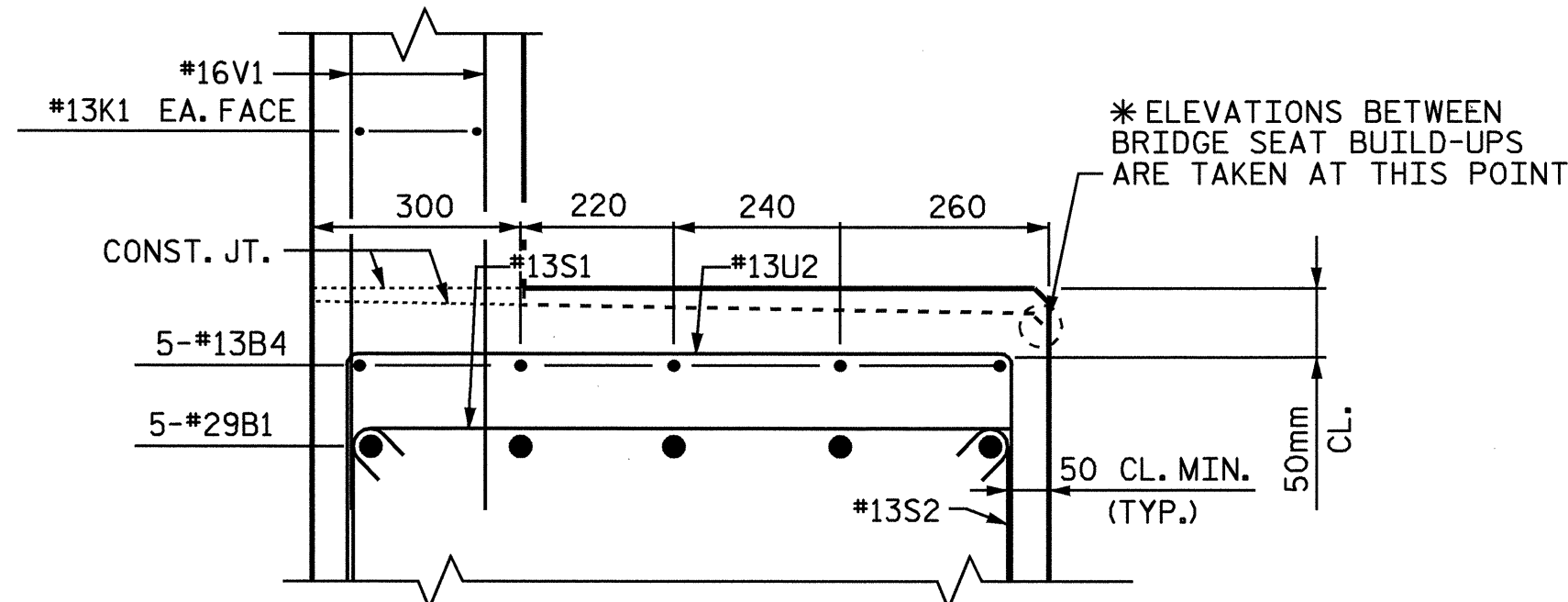
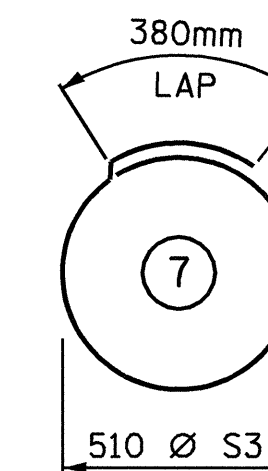
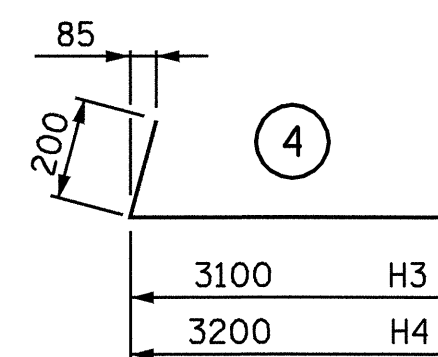
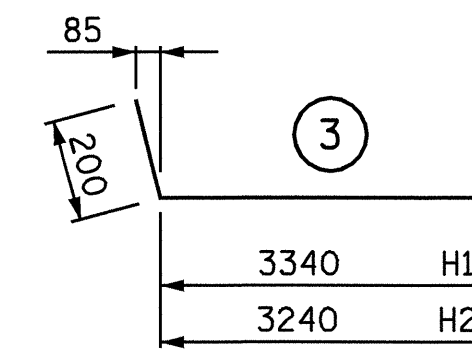
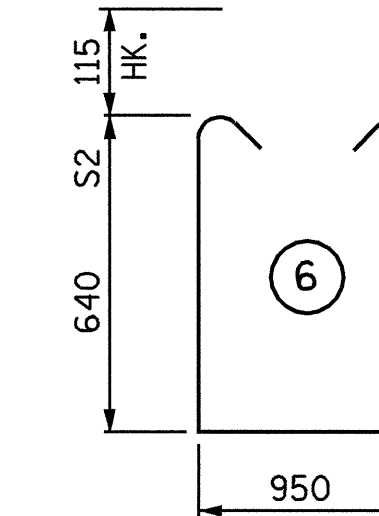
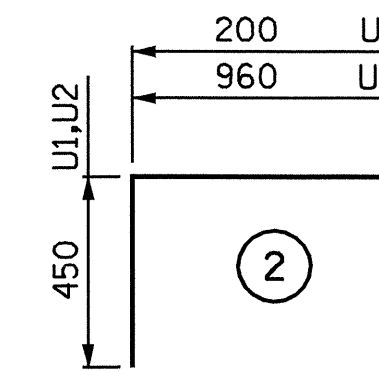
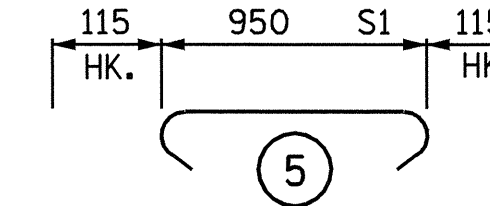
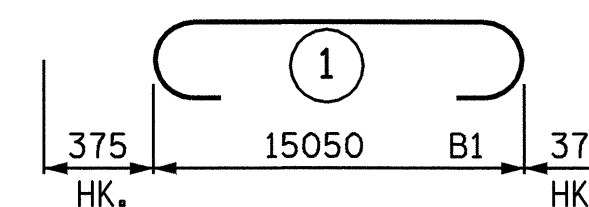


SECTION A-A



SECTION B-B



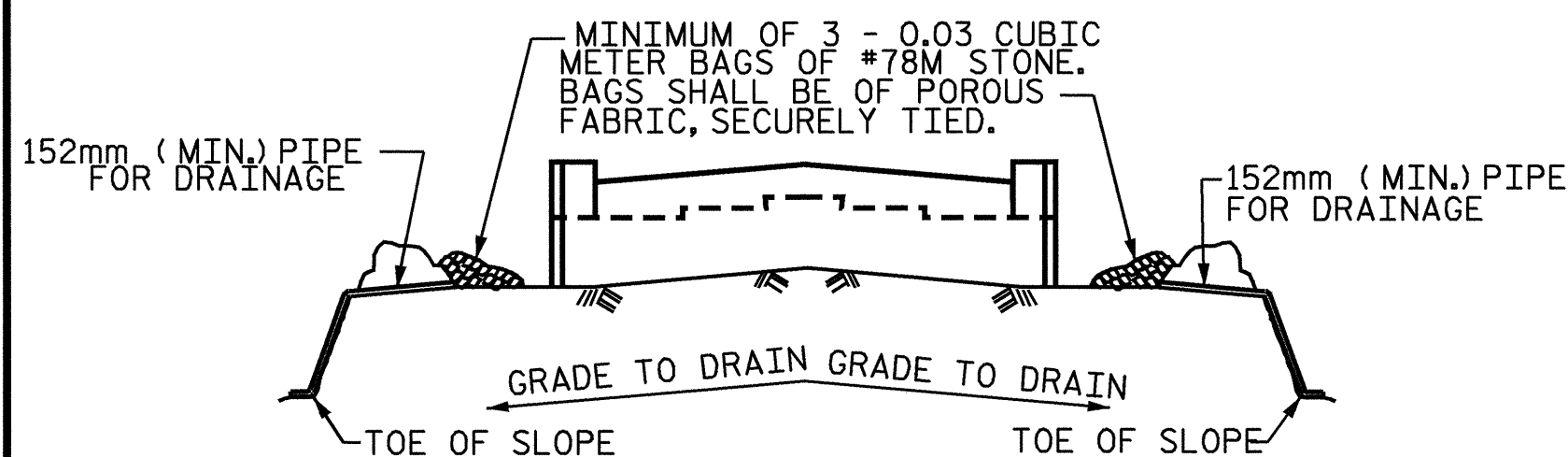
ALL BAR DIMENSIONS ARE OUT TO OUT.

BILL OF MATERIAL

END BENT NO. 1

BAR	NO.	SIZE	TYPE	LENGTH	WEIGHT
B1	10	29	1	15800	799
B2	16	13	STR	7920	126
B3	12	13	STR	960	11
B4	10	13	STR	920	9
H1	10	16	3	3540	55
H2	10	16	3	3440	53
H3	10	16	4	3300	51
H4	10	16	4	3400	53
K1	20	13	STR	7920	157
K2	8	13	STR	960	8
S1	56	13	5	1180	66
S2	56	13	6	2460	137
S3	16	13	7	1980	31
U1	43	13	2	1100	47
U2	6	13	2	1860	11
V1	86	16	STR	2100	280
V2	60	16	STR	2460	229

REINFORCING STEEL	Kg	2123
CLASS A CONCRETE		
POUR #1		14.3 m <sup>3</sup>
POUR #2		10.2 m <sup>3</sup>
TOTAL		24.5 m <sup>3</sup>
HP310x79 STEEL PILES		
No. 8		64.0 m
STEEL PILE POINTS		8 EACH

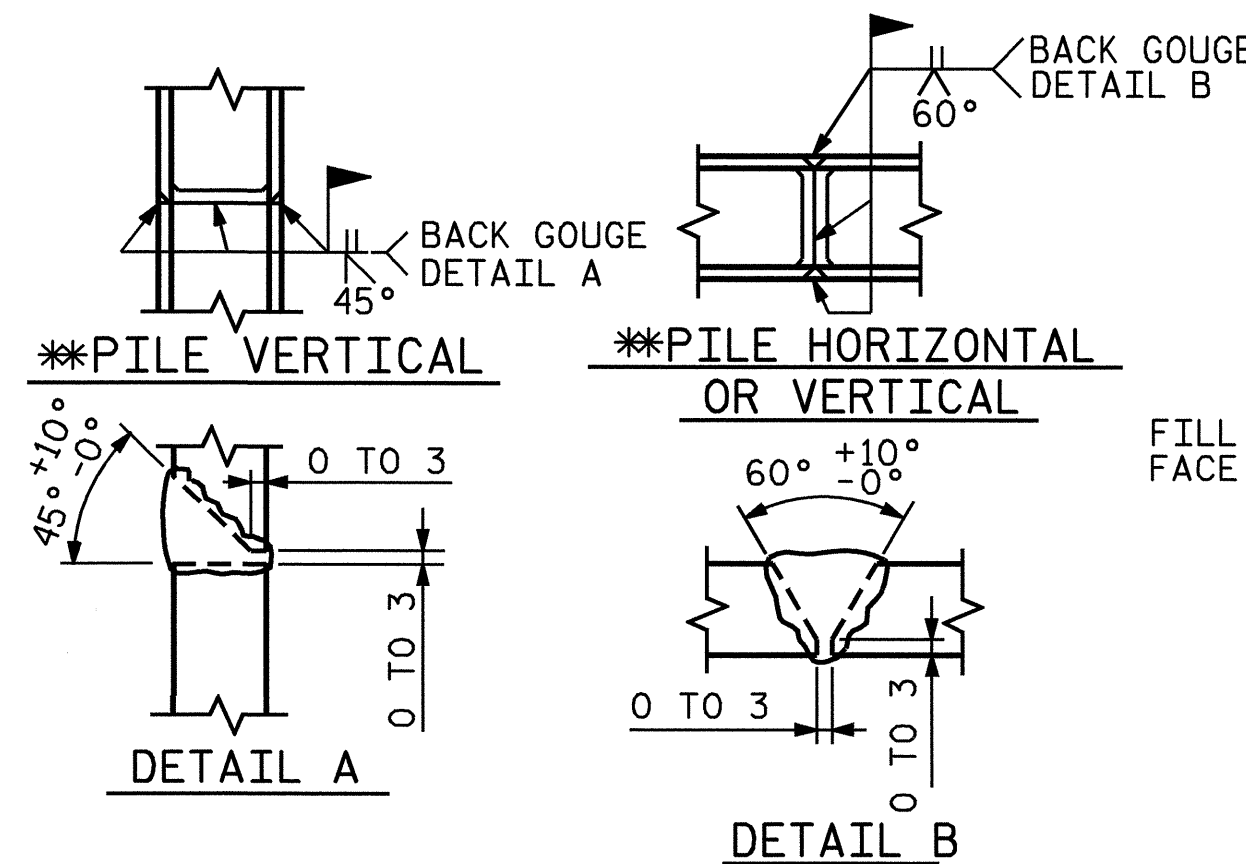


BAGGED STONE AND PIPE SHALL BE PLACED IMMEDIATELY AFTER COMPLETION OF END BENT EXCAVATION. PIPE MAY BE EITHER CONCRETE, CORRUGATED STEEL, CORRUGATED ALUMINUM ALLOY, OR CORRUGATED PLASTIC. PERFORATED PIPE WILL NOT BE ALLOWED.

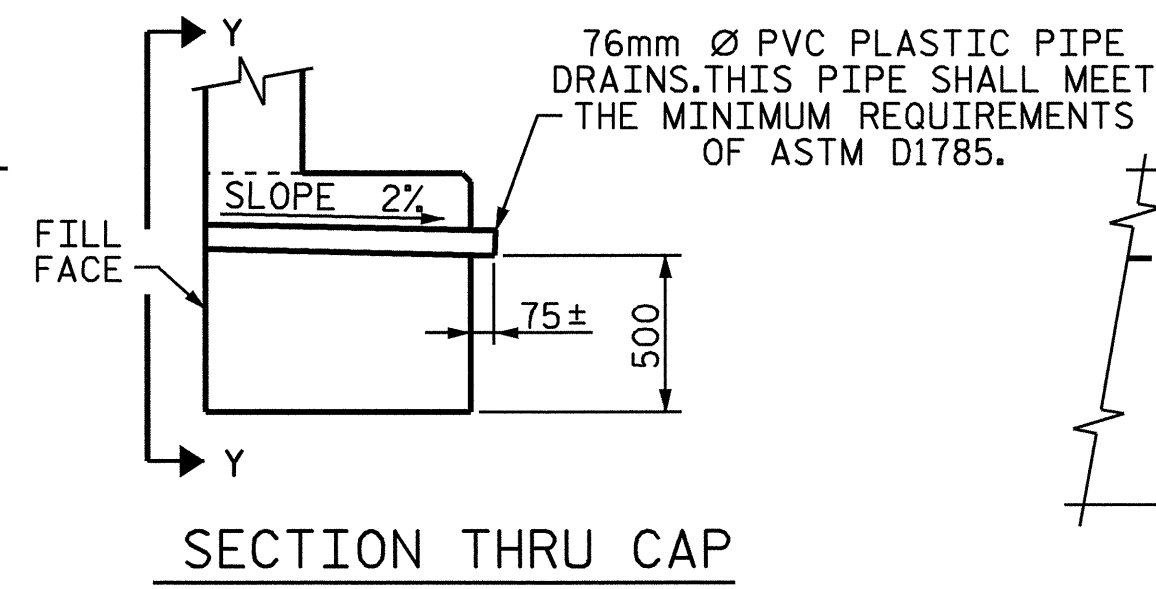
BAGGED STONE SHALL REMAIN IN PLACE UNTIL THE ENGINEER DIRECTS THAT IT BE REMOVED. THE CONTRACTOR SHALL REMOVE AND DISPOSE OF SILT ACCUMULATIONS AT BAGGED STONE WHEN SO DIRECTED BY THE ENGINEER. BAGS SHALL BE REMOVED AND REPLACED WHENEVER THE ENGINEER DETERMINES THAT THEY HAVE DETERIORATED AND LOST THEIR EFFECTIVENESS.

NO SEPARATE PAYMENT WILL BE MADE FOR THIS WORK AND THE ENTIRE COST OF THIS WORK SHALL BE INCLUDED IN THE UNIT CONTRACT PRICE FOR THE SEVERAL PAY ITEMS.

TEMPORARY DRAINAGE AT END BENT

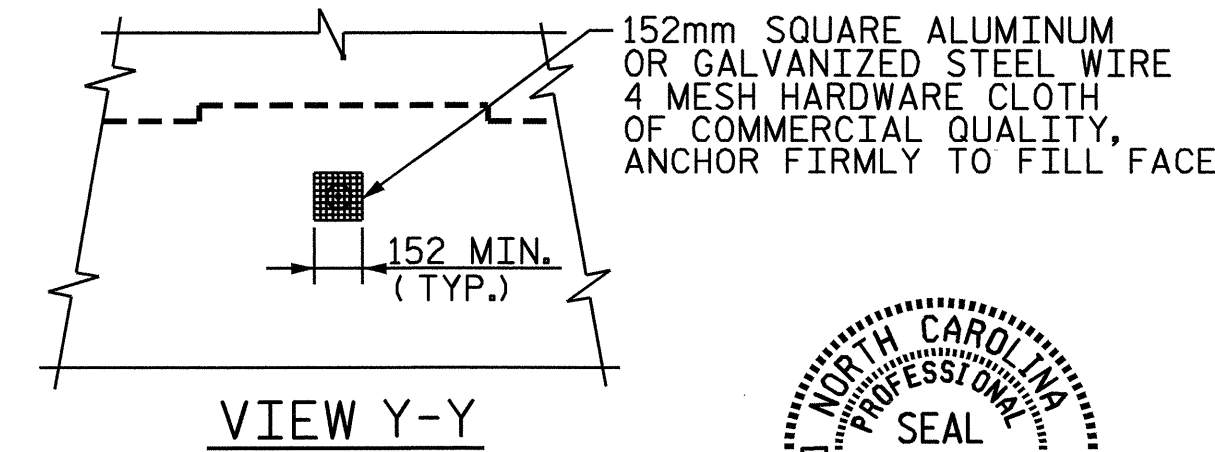


PILE SPLICE DETAILS



SECTION THRU CAP

NOTE: NO SEPARATE PAYMENT WILL BE MADE FOR FURNISHING AND INSTALLING THE PVC PLASTIC PIPE DRAINS, HARDWARE CLOTH AND FASTENERS. THE ENTIRE COST OF THIS WORK SHALL BE INCLUDED IN THE UNIT CONTRACT PRICE BID FOR THE SEVERAL PAY ITEMS.



VIEW Y-Y

PIPE DRAIN DETAILS

PROJECT NO. R-2610B  
CHATHAM COUNTY  
STATION 22+83.400-L-

SHEET 3 OF 3

STATE OF NORTH CAROLINA  
DEPARTMENT OF TRANSPORTATION  
RALEIGH

SUBSTRUCTURE  
END BENT #1  
DETAILS

REVISIONS						SHEET NO.
NO.	BY:	DATE:	NO.	BY:	DATE:	S-19
1			3			TOTAL SHEETS
2			4			60