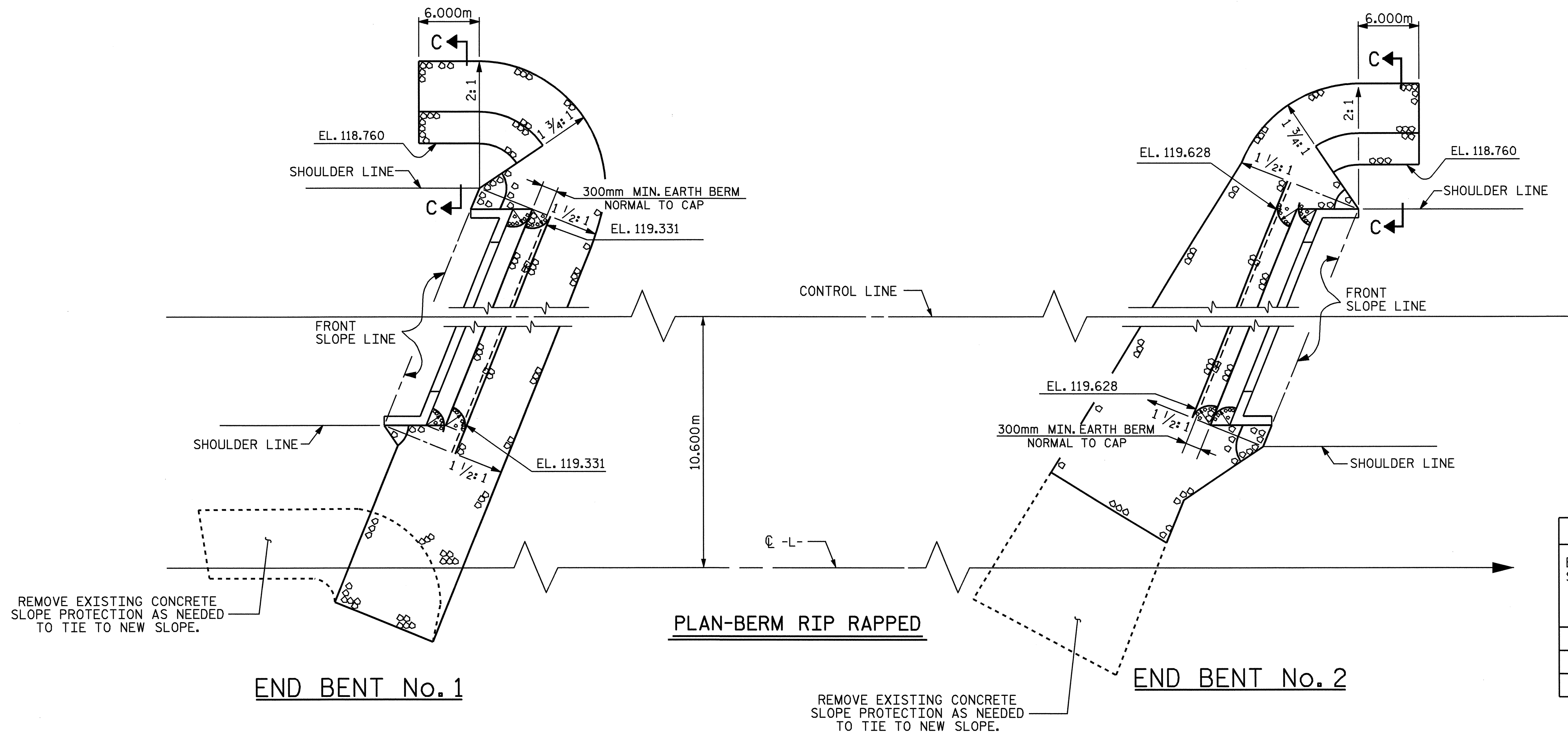
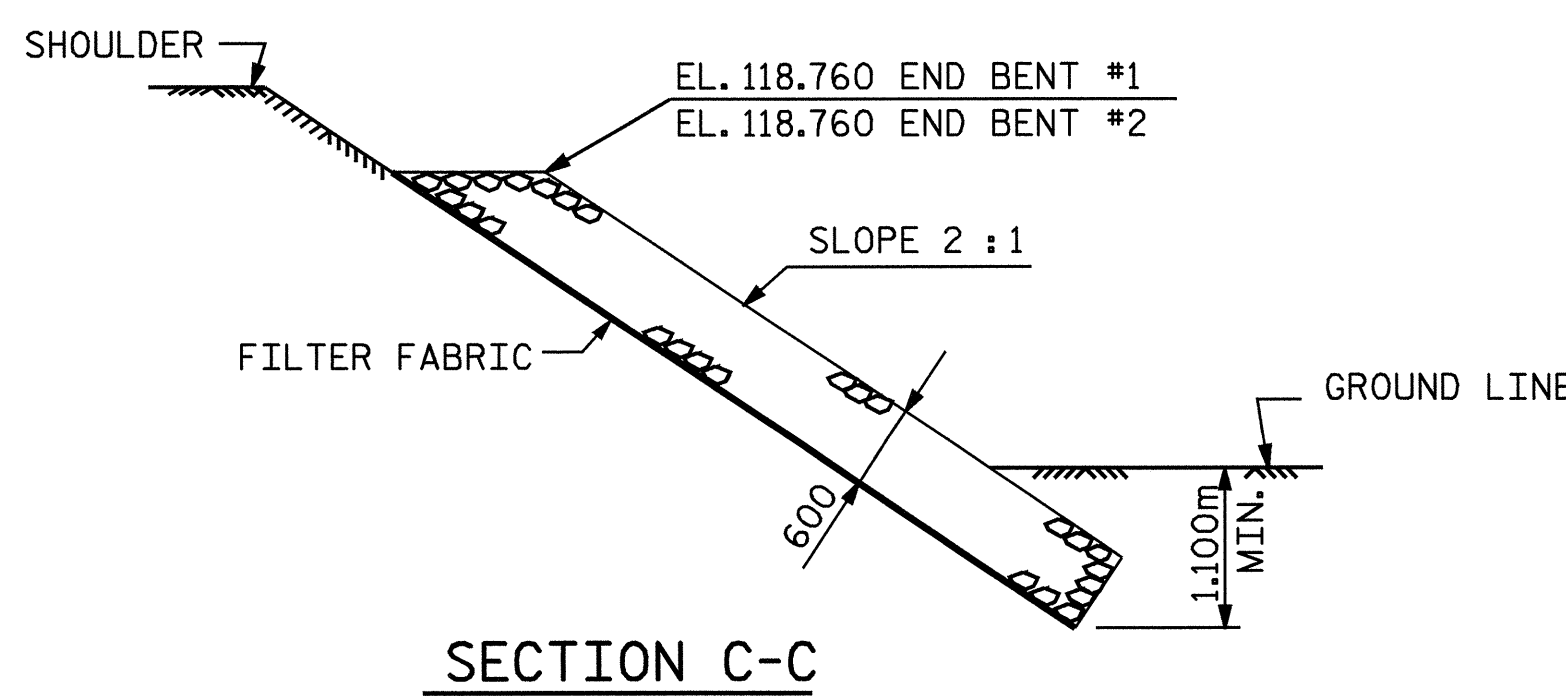
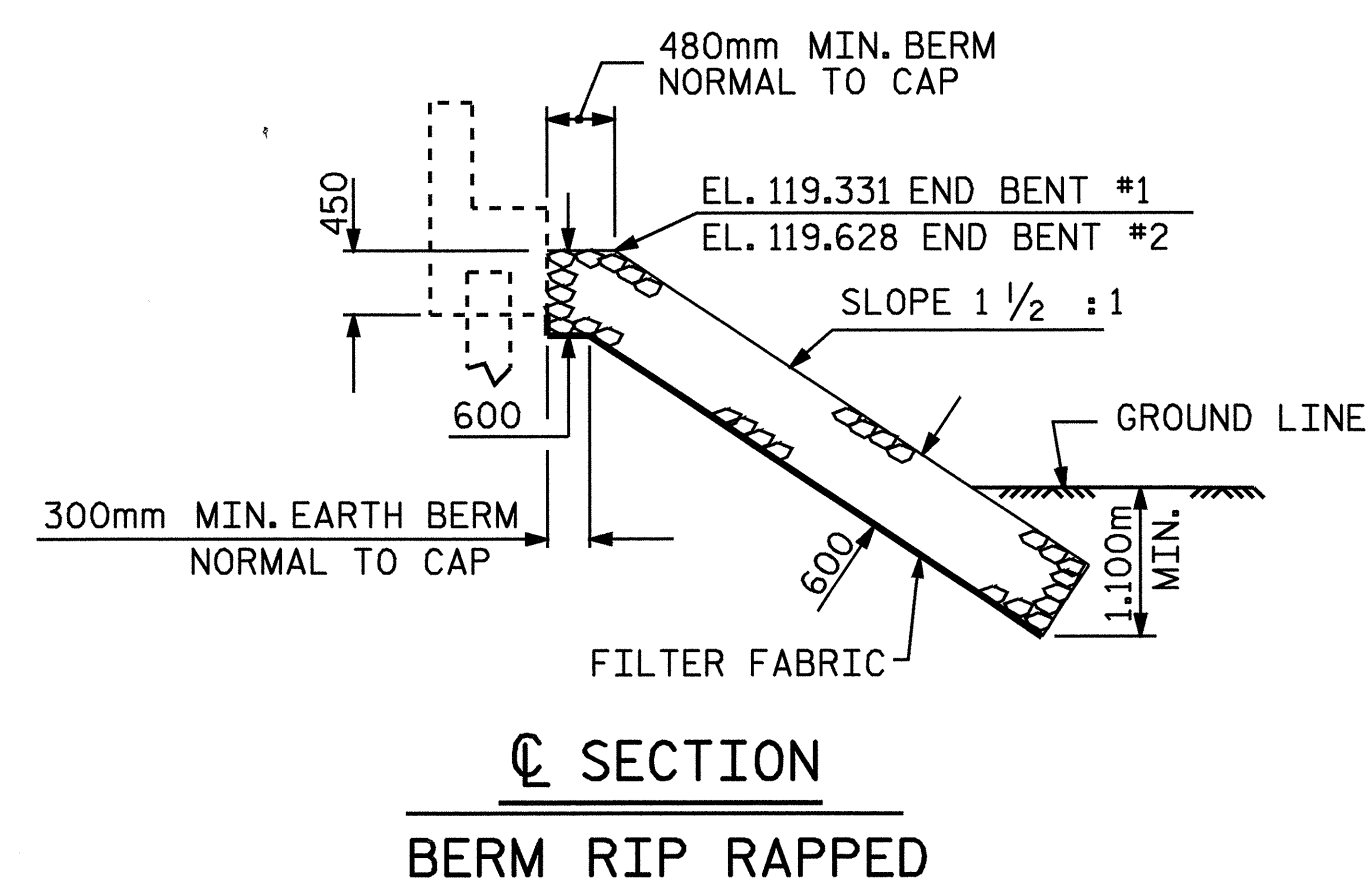


NOTES :  
FOR BERM WIDTH DIMENSIONS,SEE GENERAL DRAWING.

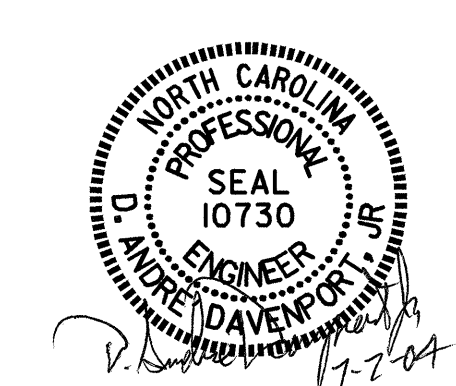


ESTIMATED QUANTITIES		
BRIDGE @ STA. 22+83.400-L-	PLAIN RIP RAP CLASS II	FILTER FABRIC FOR DRAINAGE
	METRIC TON	SQUARE METERS
END BENT #1	208	212
END BENT #2	135	138
TOTAL	343	350



PROJECT NO. R-2610B  
CHATHAM COUNTY  
STATION: 22+83.400-L-

STATE OF NORTH CAROLINA  
DEPARTMENT OF TRANSPORTATION  
RALEIGH  
STANDARD  
=RIP RAP DETAILS=



ASSEMBLED BY : H. T. BARBOUR DATE : 9-19-03  
CHECKED BY : G. M. PATTERSON DATE : 10-03  
DRAWN BY : REK 1/84 REV. 7/17/98 REK/RWW  
CHECKED BY : RDU 1/84 REV. 8/16/99 RWW/LES  
REV. 10/17/00 RWW/LES

REVISIONS						SHEET NO.
NO.	BY:	DATE:	NO.	BY:	DATE:	5-27
1			3			TOTAL SHEETS
2			4			60