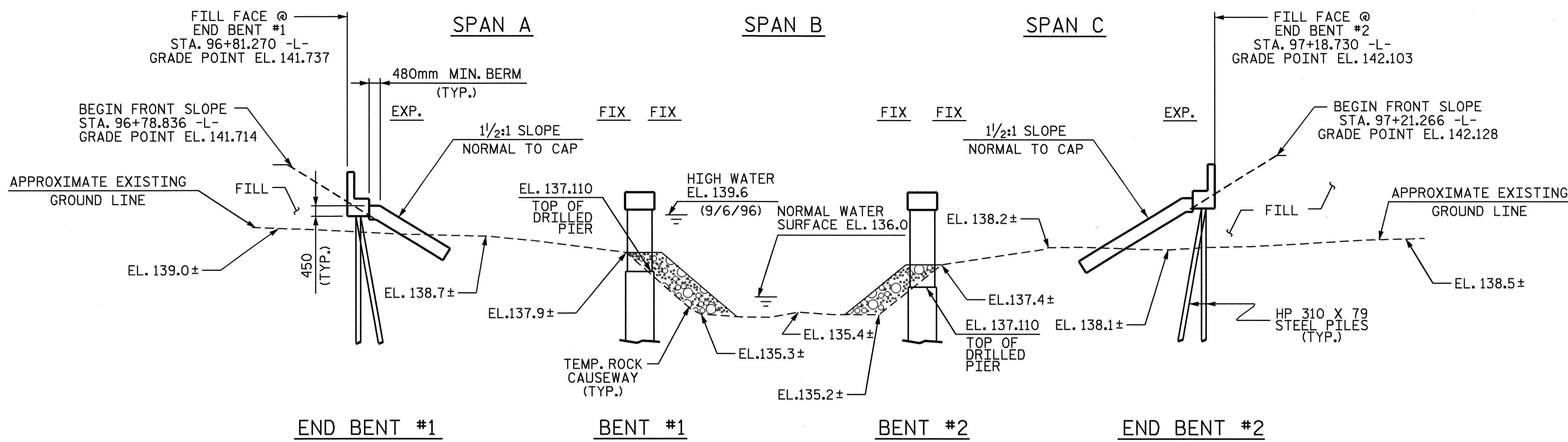
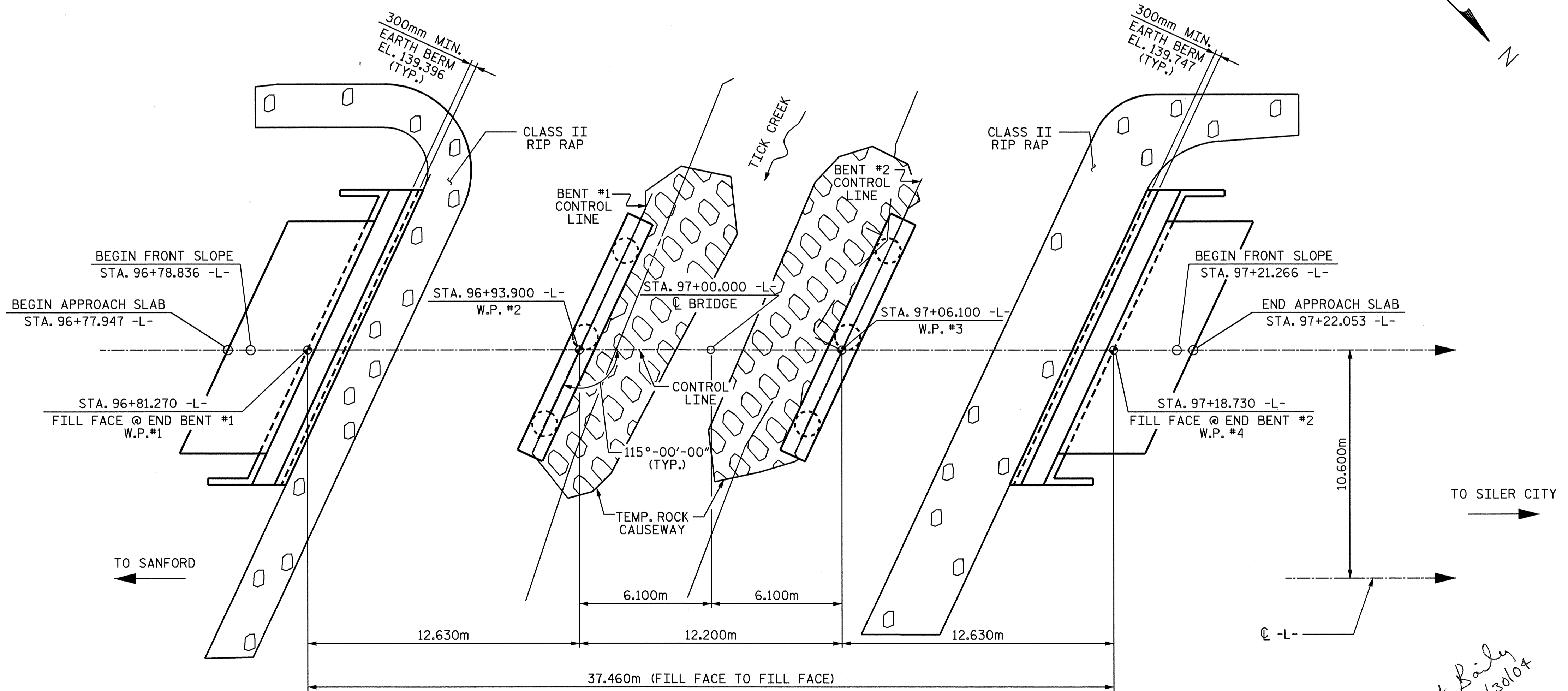


145
144
143
142
141
140
139
138
137
136
135
134
133
132



+0.9770% +3.1137%
 PI=STA. 98+25.250 -L-
 EL.=143.144
 VC=135
GRADE DATA

SECTION ALONG Q CONTROL LINE
 (BENTS ON SECTION AT RIGHT ANGLES TO BENTS)



PLAN
 PILES NOT SHOWN IN PLAN VIEW

DRAWN BY: D. G. ELY/DAD DATE: 10-03
 CHECKED BY: H. T. BARBOUR DATE: 10-03

Ann West Bailey
 11/30/04
 NORTH CAROLINA PROFESSIONAL SEAL 022506
 CIVIL ENGINEER
 W. ARTHUR BAILEY

NORTH CAROLINA PROFESSIONAL SEAL 10730
 CIVIL ENGINEER
 DAVID M. DAVENPORT

PROJECT NO. R-2610B
CHATHAM COUNTY
 STATION: 97+00.000 -L-
 SHEET 1 OF 3 BRIDGE NO. 509

STATE OF NORTH CAROLINA DEPARTMENT OF TRANSPORTATION RALEIGH					
GENERAL DRAWING FOR BRIDGE OVER TICK CREEK ON US 421 BETWEEN SR 2119 AND SR 2120					
REVISIONS					SHEET NO.
NO.	BY:	DATE:	NO.	BY:	DATE:
1			3		
2			4		
TOTAL SHEETS					5-31
					60