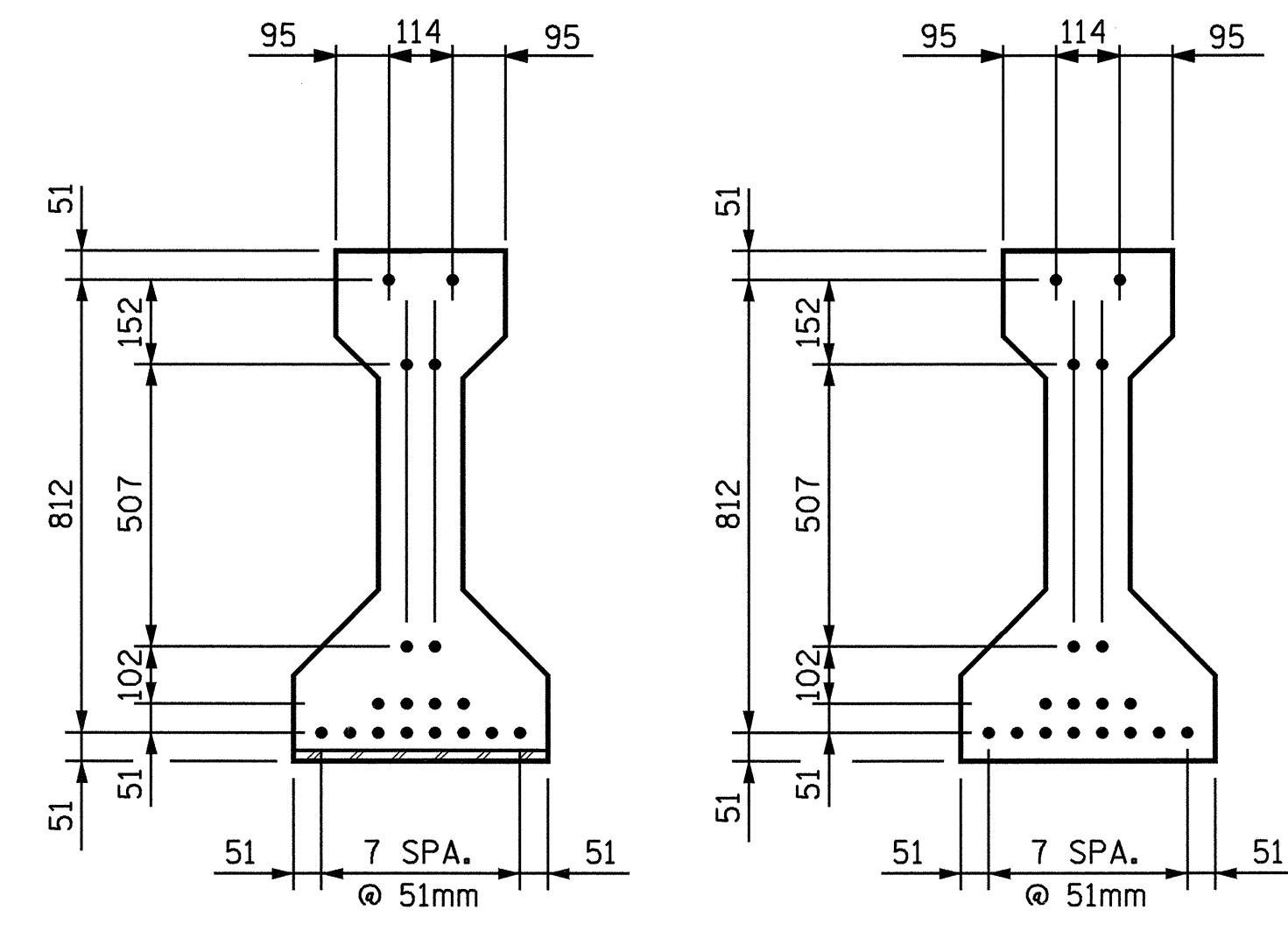
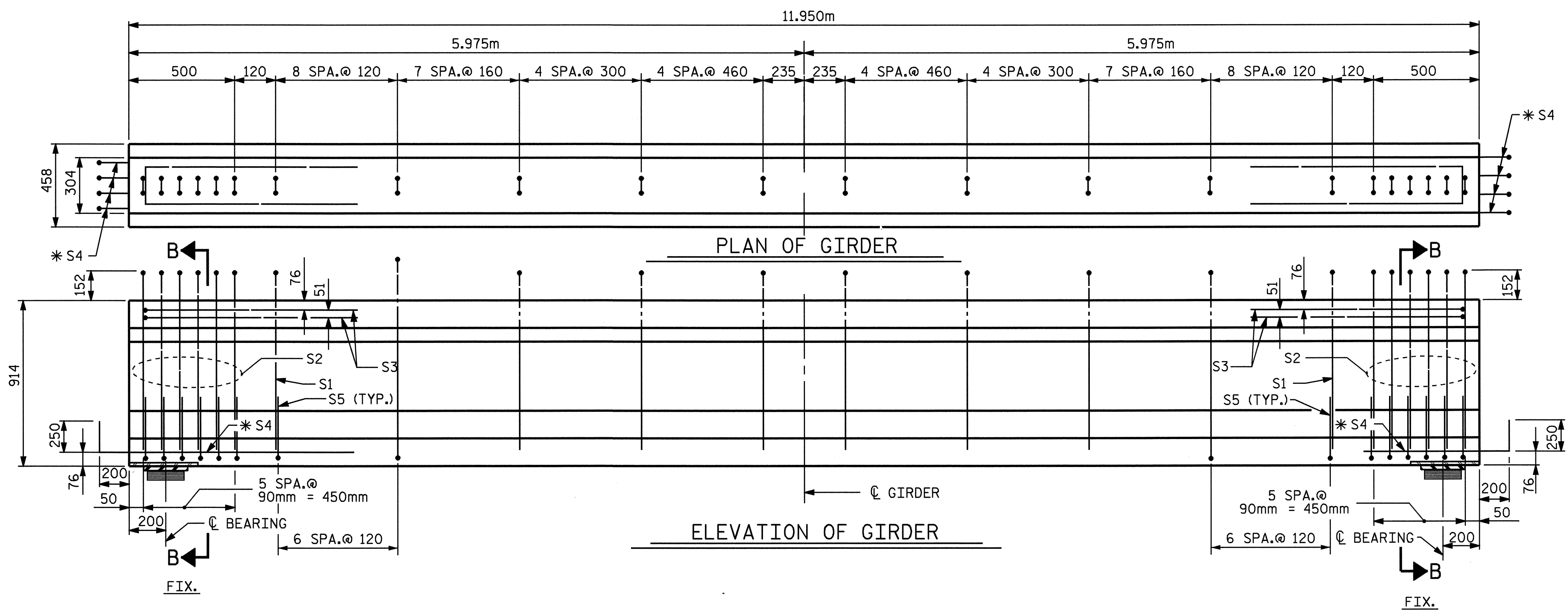


SECTION B-B



AT END OF GIRDER AT C OF GIRDER
12.70mm Ø LOW RELAXATION STRAND LAYOUT



PLAN OF GIRDER

ELEVATION OF GIRDER

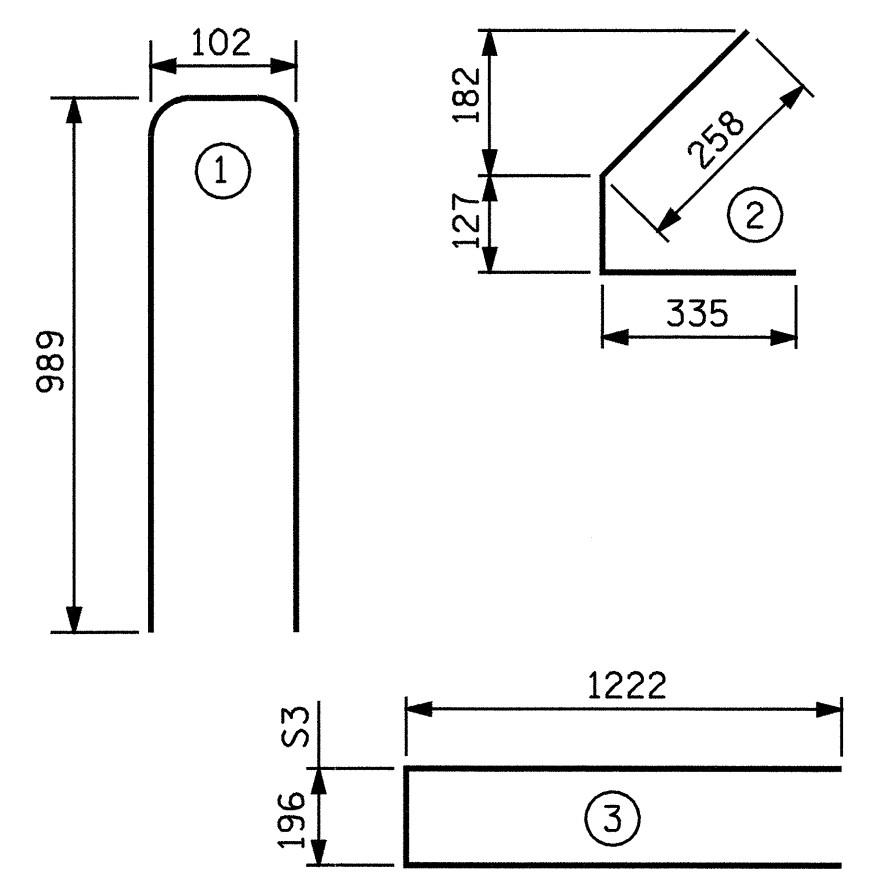
12.70mm Ø L.R GRADE 270 STRANDS		
AREA (mm ²)	ULTIMATE STRENGTH (KN PER STRAND)	APPLIED PRESTRESS (KN PER STRAND)
98.71	183.7	137.8

REINFORCING STEEL FOR ONE GDR.					
BAR	NUMBER	SIZE	TYPE	LENGTH	WEIGHT
S1	48	#13	1	2080	99
S2	12	#16	1	2080	39
S3	4	#13	3	2640	10
*S4	8	#16	STR.	1120	14
S5	52	#13	2	720	37

* NOTE: S4 BARS SHALL BE BENT BEFORE SHIPMENT. HEAT BENDING SHALL NOT BE ALLOWED.

BAR TYPES

ALL BAR DIMENSIONS ARE OUT-TO-OUT



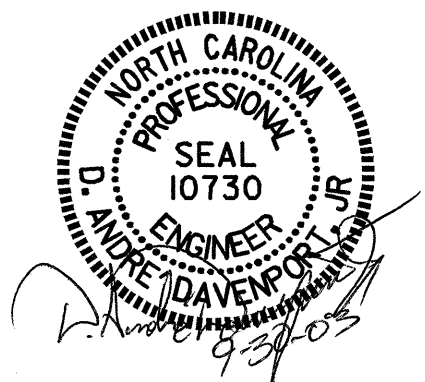
QUANTITIES FOR ONE GIRDER			
	REINFORCING STEEL	36.5 MPa CONCRETE	12.70mm Ø L.R. STRANDS
	kg	m ³	No.
GIRDER	199	2,844	18

GIRDERS REQUIRED

NUMBER	LENGTH	TOTAL LENGTH
4	11.950	47.800

PROJECT NO. R-2610B
CHATHAM COUNTY
STATION: 97+00.000-L-

STATE OF NORTH CAROLINA
DEPARTMENT OF TRANSPORTATION
RALEIGH
AASHTO TYPE II
PRESTRESSED CONCRETE GIRDER
CONTINUOUS FOR LIVE LOAD
SPAN B



ASSEMBLED BY : B.N. GRADY
CHECKED BY : H.T. BARBOUR
DATE : 6/03
DATE : 9/03

CADD
STANDARD

DRAWN BY : EEM 2/97
CHECKED BY : VP 2/97
REV. 8/16/99 RWW/LES

REVISIONS						TOTAL SHEETS
NO.	BY:	DATE:	NO.	BY:	DATE:	60
1			3			
2			4			

SHEET NO. S-41