

09/09/99

10-DEC-2003 15:41
 R:\PRG\172610a\172610a.dwg
 R:\PRG\172610a\172610a.dwg


CONTRACT: C200820 TIP PROJECT: R-2610A

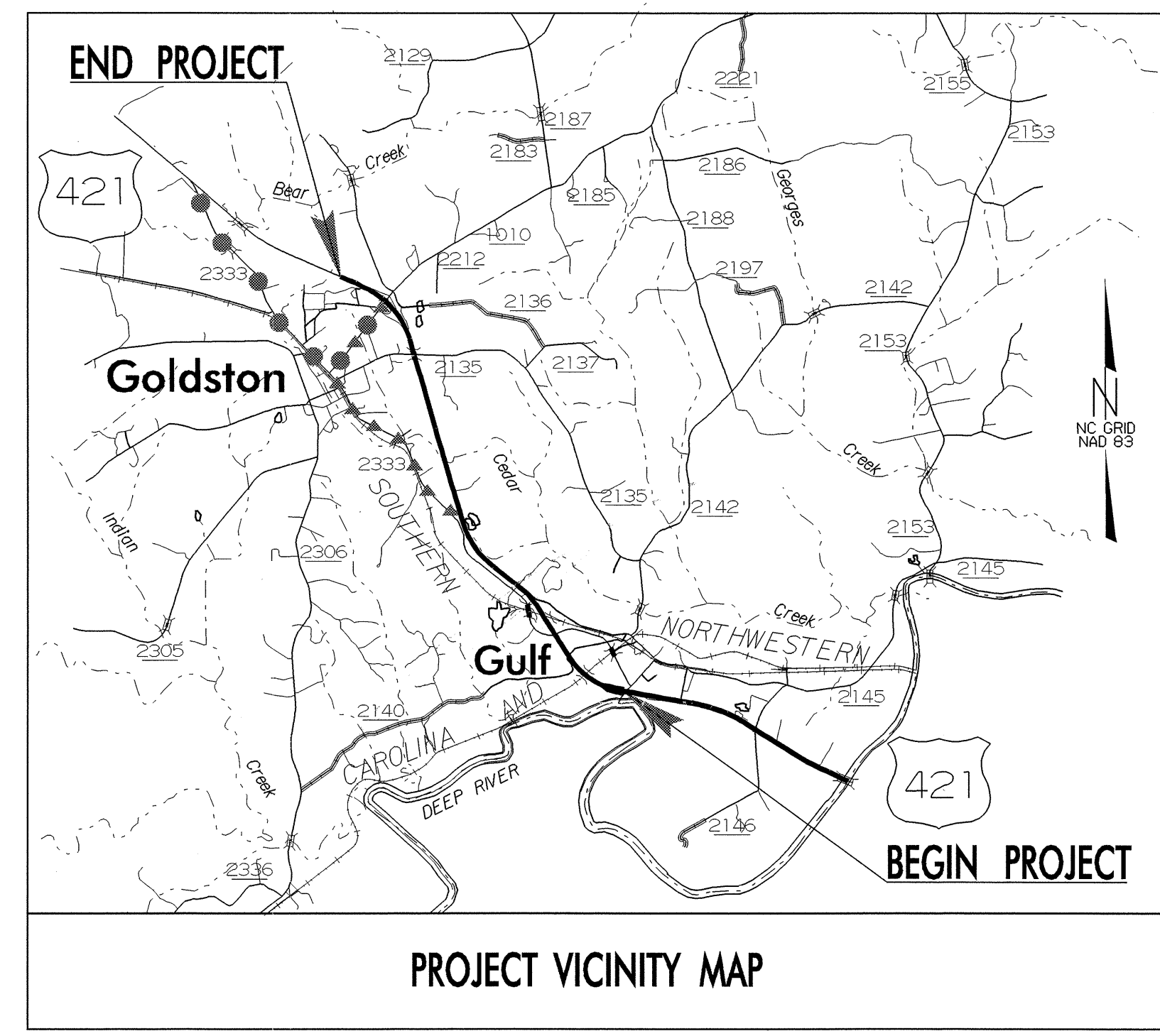
See Sheet 1-A For Index of Sheets

STATE OF NORTH CAROLINA
 DIVISION OF HIGHWAYS

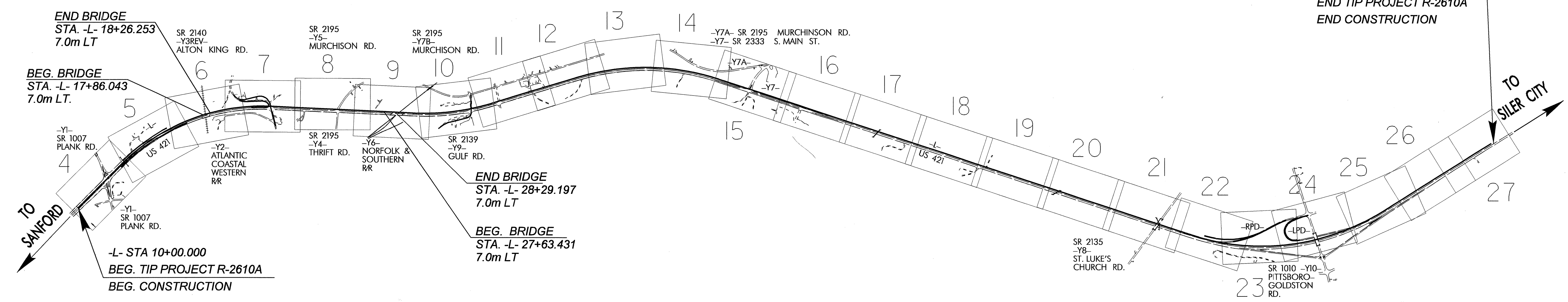
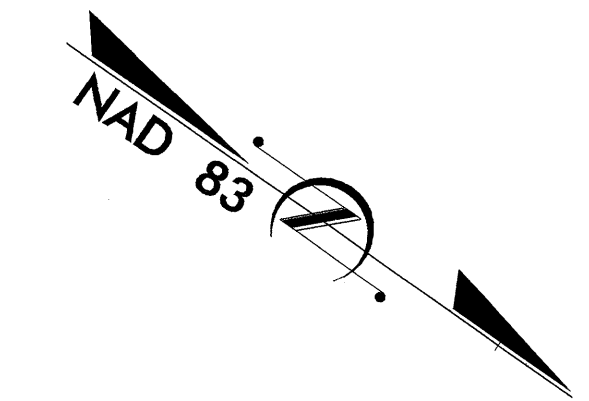
CHATHAM COUNTY

LOCATION: US 421 FROM 4 LANES APPROX. 200M SOUTH OF SR 1007 AT GULF TO APPROX. 1 KM NORTH OF SR 1010
TYPE OF WORK: GRADING, DRAINAGE, PAVING, CULVERT EXTENSIONS, AND STRUCTURES

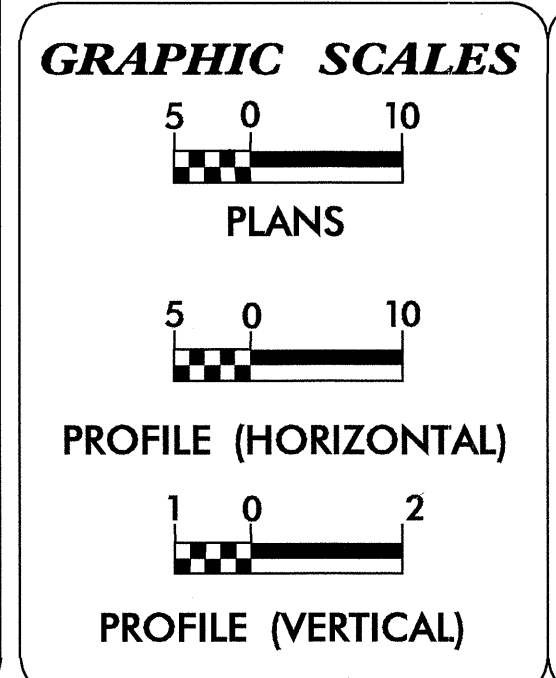
 ALL DIMENSIONS IN THESE PLANS ARE IN METERS AND/OR MILLIMETERS UNLESS OTHERWISE SHOWN	STATE	STATE PROJECT REFERENCE NO.	SHEET NO.	TOTAL SHEETS
	N.C.	R-2610A	1	
	STATE PROJ. NO.	F.A. PROJ. NO.	DESCRIPTION	
	34481.1.1		P.E.	
34481.2.2		RW, P.E. for UTIL.		
34481.3.2		CONST.		



- ▲▲▲ SB US 421 (ON RAMP) DETOUR ROUTE
- SB US 421 (EXIT LOOP) DETOUR ROUTE



THIS IS A CONTROLLED-ACCESS PROJECT IN THE VICINITY OF THE INTERCHANGE AT SR 1010 AND THE REMAINDER OF THE PROJECT IS A PARTIAL CONTROLLED-ACCESS PROJECT WITH ACCESS BEING LIMITED TO POINTS ORIGINALLY IDENTIFIED AND PRESENTLY SHOWN AS EXISTING BREAKS IN C/A



DESIGN DATA

ADT 2004 = 11,486 -12,638
ADT 2024 = 18,452-20,980
DHV = 10 %
D = 60 %
T = 17 % *
V = 100 kmh
* TTST 13% DUAL 4 %

PROJECT LENGTH

LENGTH ROADWAY TIP PROJECT R-2610A = 7.474 KM
LENGTH STRUCTURE TIP PROJECT R-2610A = 0.106 KM
TOTAL LENGTH OF TIP PROJECT R-2610A = 7.580 KM

Prepared in the Office of:
DIVISION OF HIGHWAYS
 1000 Birch Ridge Dr., Raleigh, NC 27610

2002 STANDARD SPECIFICATIONS

RIGHT OF WAY DATE:
 MAY 29, 2001

LETTING DATE:
 SEPTEMBER 21, 2004

GARY LOVERING, PE
 PROJECT ENGINEER

R. A. SHILLINGLAW, PE
 PROJECT DESIGN ENGINEER

HYDRAULICS ENGINEER

12-15-03

ROADWAY DESIGN ENGINEER

12-11-03

Professional Engineer Seals and Signatures for Steven M. Bondior and Richard A. Shillinglaw.

DIVISION OF HIGHWAYS
 STATE OF NORTH CAROLINA

cat miller P.E.
 STATE DESIGN ENGINEER

DEPARTMENT OF TRANSPORTATION
 FEDERAL HIGHWAY ADMINISTRATION

APPROVED
 DIVISION ADMINISTRATOR

DATE