

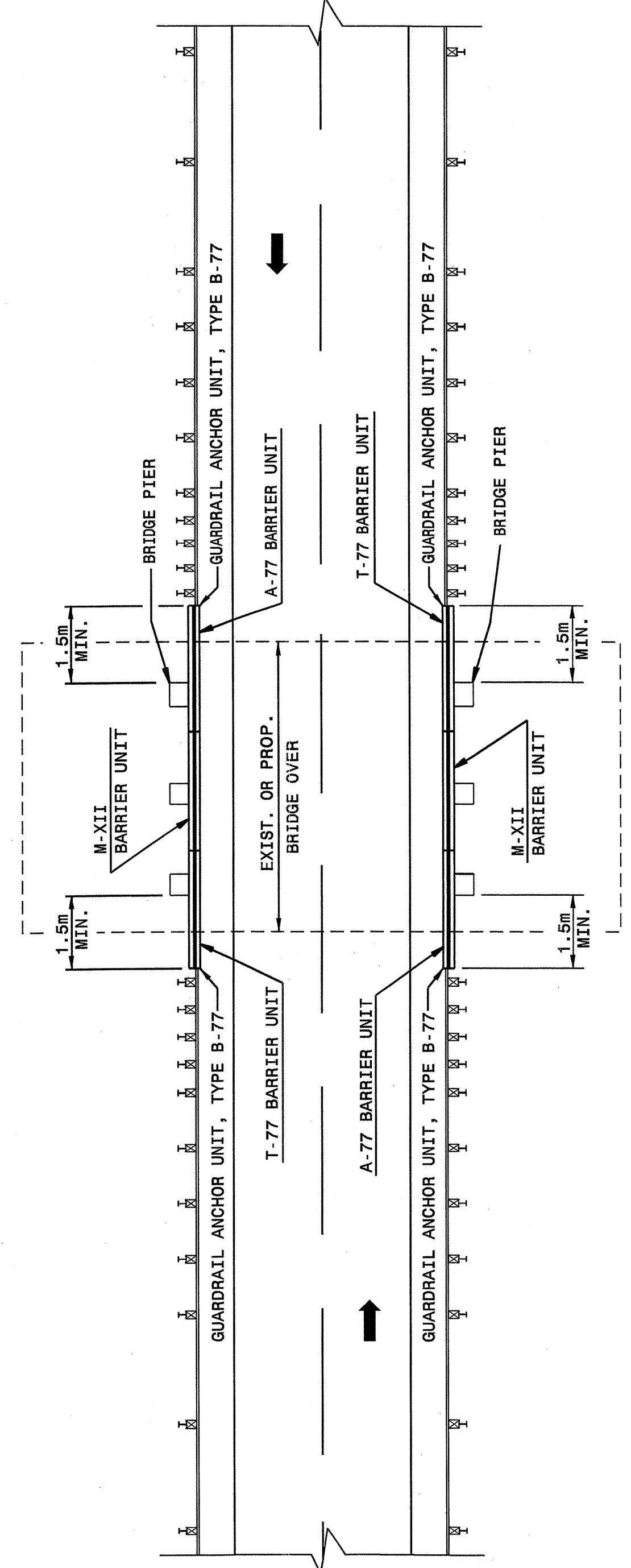


STATE OF NORTH CAROLINA DEPT. OF TRANSPORTATION DIVISION OF HIGHWAYS RALEIGH, N.C.

METRIC DETAIL DRAWING FOR
PRECAST REINFORCED CONCRETE BARRIER
 1.0m SINGLE FACED

SHEET 1 OF 8
857D01

NOTE:
 1) THIS DRAWING IS NOT INTENDED TO SHOW TYPICAL BARRIER AND GUARDRAIL INSTALLATION. IT DETAILS POSSIBLE BARRIER AND STRUCTURE ANCHOR COMBINATIONS FOR THIS TYPE FACILITY.
 2) USE TRAILING END GUARDRAIL IF WARRANTED



GUARDRAIL AND BARRIER AT UNDIVIDED HIGHWAY BRIDGE UNDERPASS

Note:
 This drawing is dimensioned in millimeters unless otherwise depicted within the drawing.

STATE OF NORTH CAROLINA DEPT. OF TRANSPORTATION DIVISION OF HIGHWAYS RALEIGH, N.C.

METRIC DETAIL DRAWING FOR
PRECAST REINFORCED CONCRETE BARRIER
 1.0m SINGLE FACED

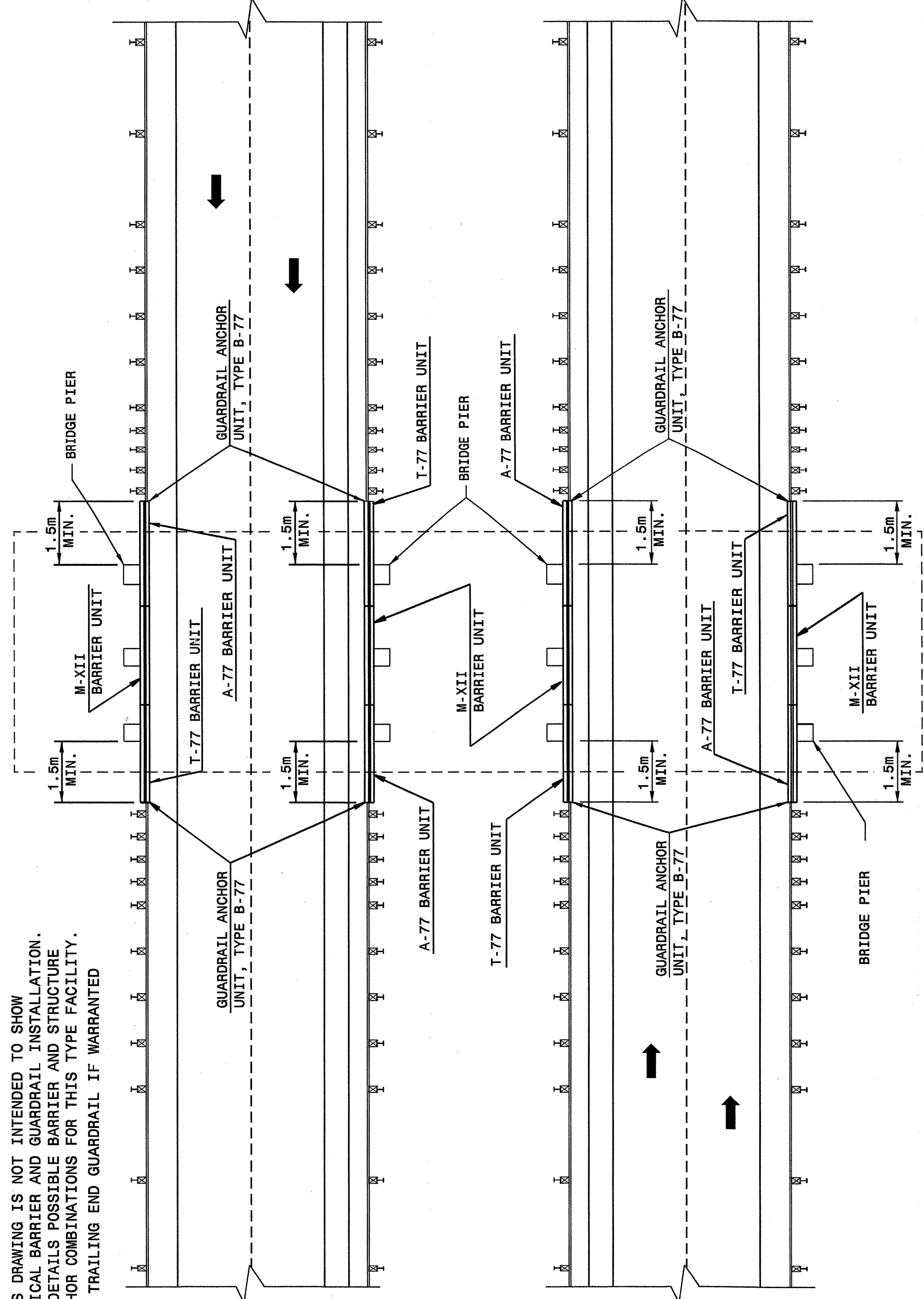
SHEET 1 OF 8
857D01

STATE OF NORTH CAROLINA DEPT. OF TRANSPORTATION DIVISION OF HIGHWAYS RALEIGH, N.C.

METRIC DETAIL DRAWING FOR
PRECAST REINFORCED CONCRETE BARRIER
 1.0m SINGLE FACED

SHEET 2 OF 8
857D01

NOTE:
 1) THIS DRAWING IS NOT INTENDED TO SHOW TYPICAL BARRIER AND GUARDRAIL INSTALLATION. IT DETAILS POSSIBLE BARRIER AND STRUCTURE ANCHOR COMBINATIONS FOR THIS TYPE FACILITY.
 2) USE TRAILING END GUARDRAIL IF WARRANTED



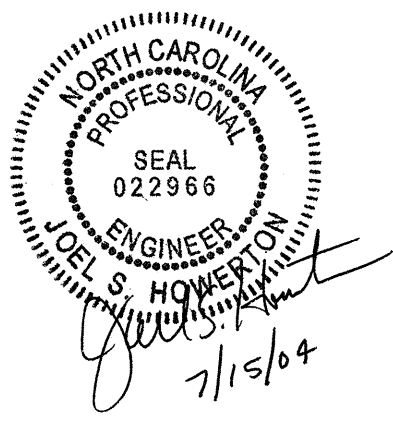
GUARDRAIL AND BARRIER AT DIVIDED HIGHWAY BRIDGE UNDERPASS

Note:
 This drawing is dimensioned in millimeters unless otherwise depicted within the drawing.

STATE OF NORTH CAROLINA DEPT. OF TRANSPORTATION DIVISION OF HIGHWAYS RALEIGH, N.C.

METRIC DETAIL DRAWING FOR
PRECAST REINFORCED CONCRETE BARRIER
 1.0m SINGLE FACED

SHEET 2 OF 8
857D01



DESIGN SERVICES UNIT
STANDARDS AND SPECIAL DESIGN
 Office 919-250-4128 FAX 919-250-4119

SEE PLATE FOR TITLE

ORIGINAL BY: 2002 STD. 857.01 DATE:
 MODIFIED BY: E.E. WARD DATE: 7-11-02
 CHECKED BY: E.E. WARD DATE:
 FILE SPEC.: /usr/stds/02stds/metric/85701/857d01m.dgn

05-SEP-2002 14:02 C:\projects\stds\02stds\Special Details\metric\85701\857d01m.dgn
 E:\Special Details\85701\857d01m.dgn