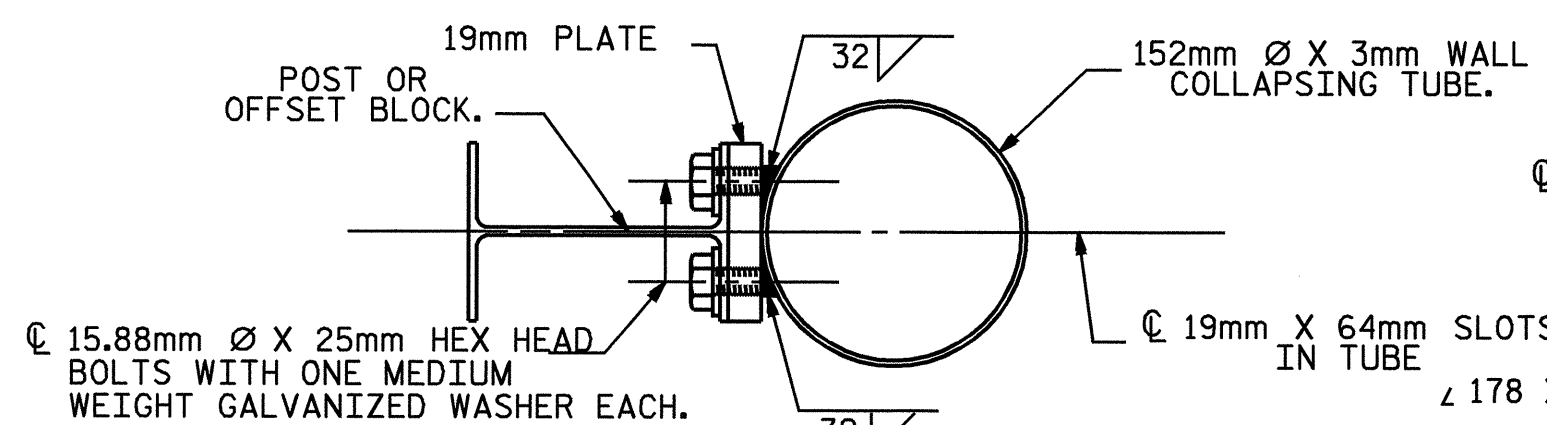


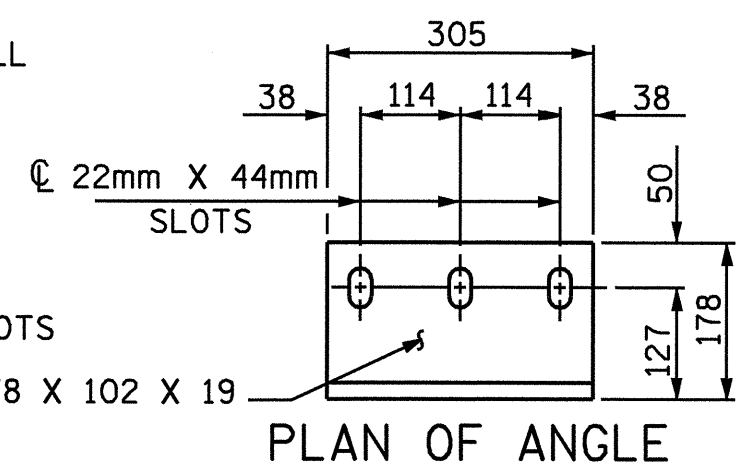
STATE	PROJECT NO.	SHEET NO.	TOTAL SHEETS
N. C.	R-2610A	2-GG	
F. A. PROJ. NO.			

NOTE A : HEIGHT OF POST BP1 (DIMENSION A) SHALL BE DETERMINED IN THE FIELD SO THAT THE C OF THE TUBULAR BEAM IS 560mm ABOVE TOP OF SLAB OR TOP OF WEARING SURFACE.

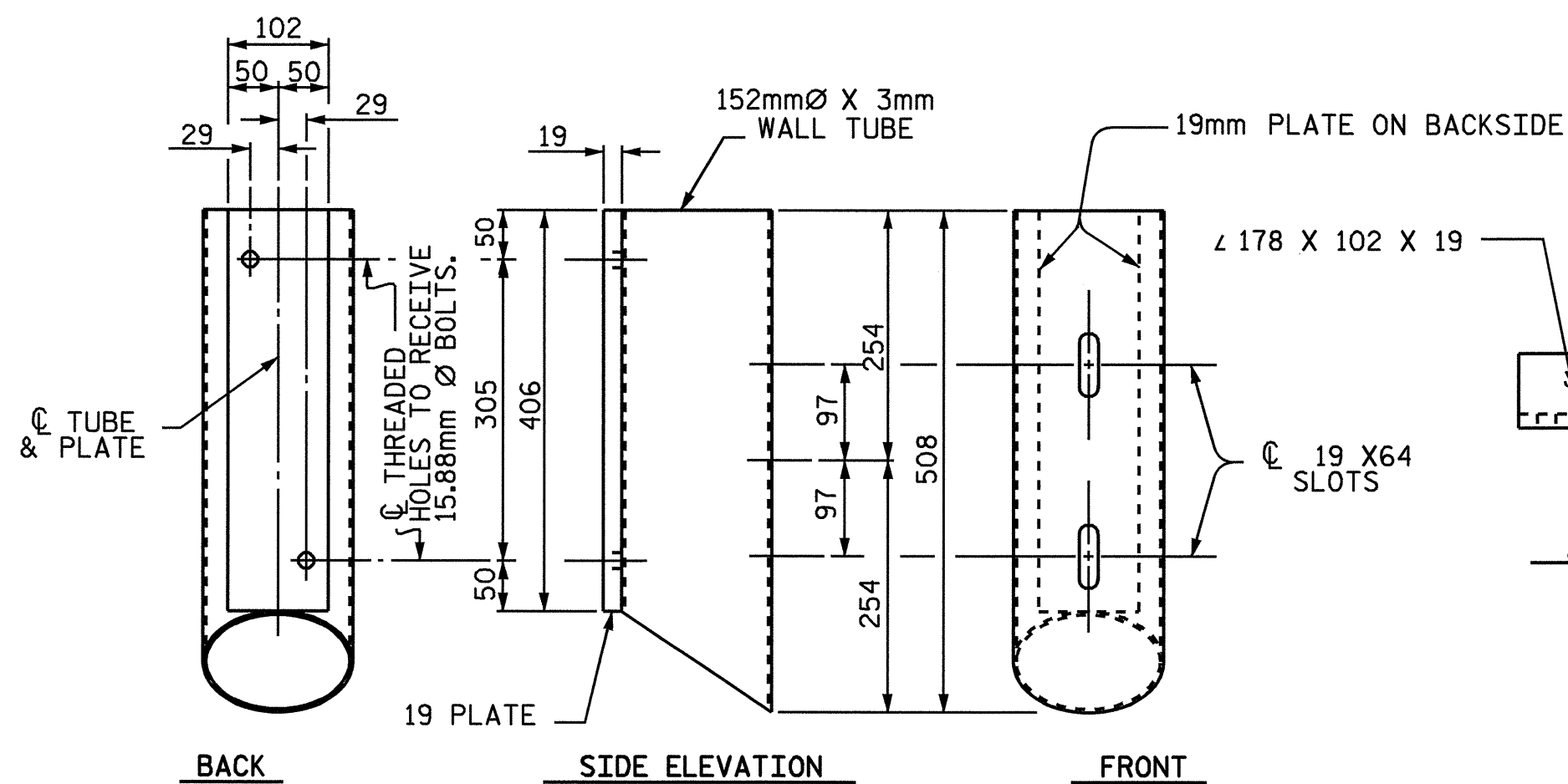
NOTE B : SLOT TO BE DRILLED ON SIDE OF WEB FACING "ONCOMING TRAFFIC".



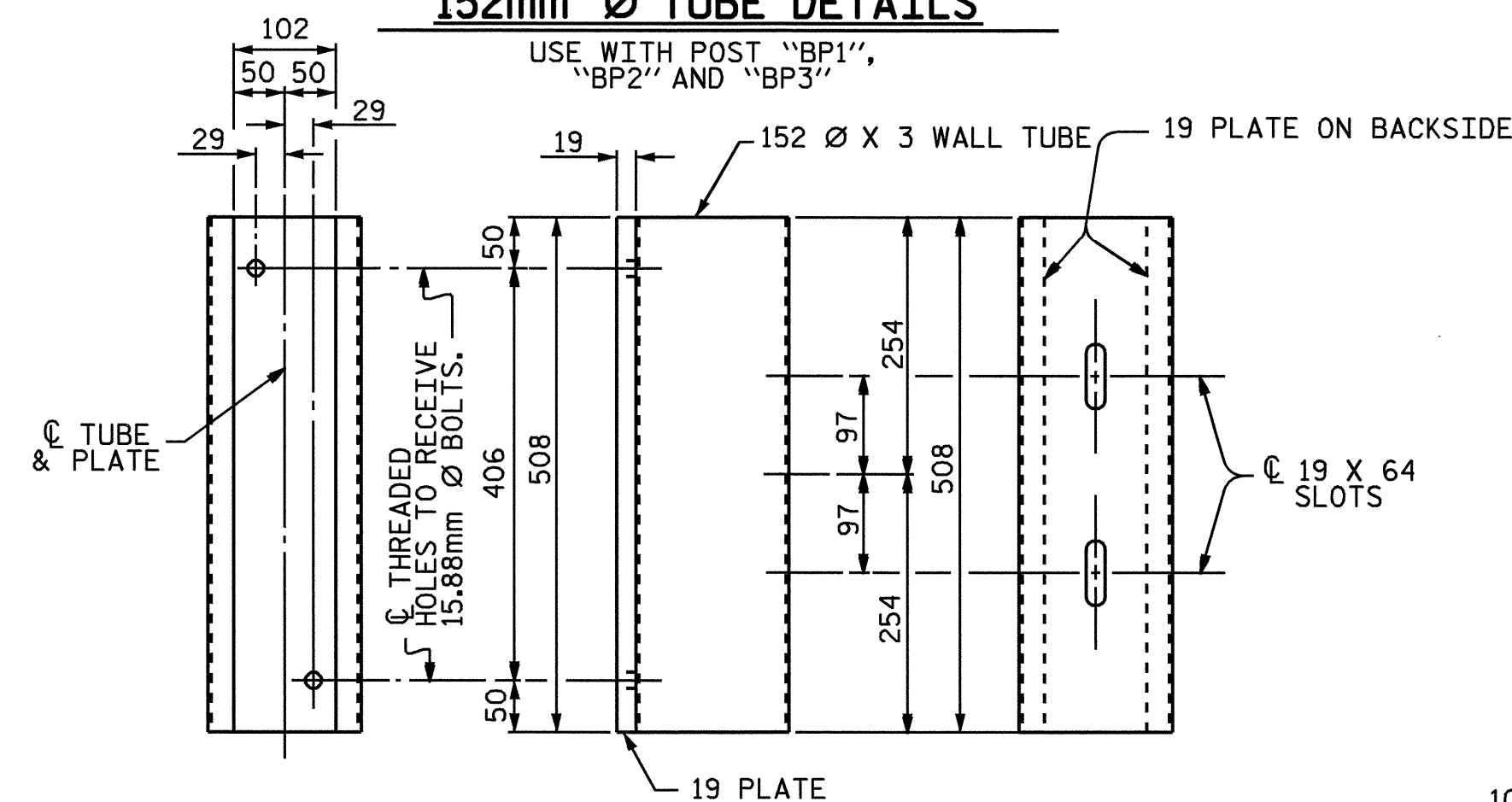
DETAIL SHOWING CONNECTION OF 152mm Ø TUBE TO POST OR OFFSET BLOCK



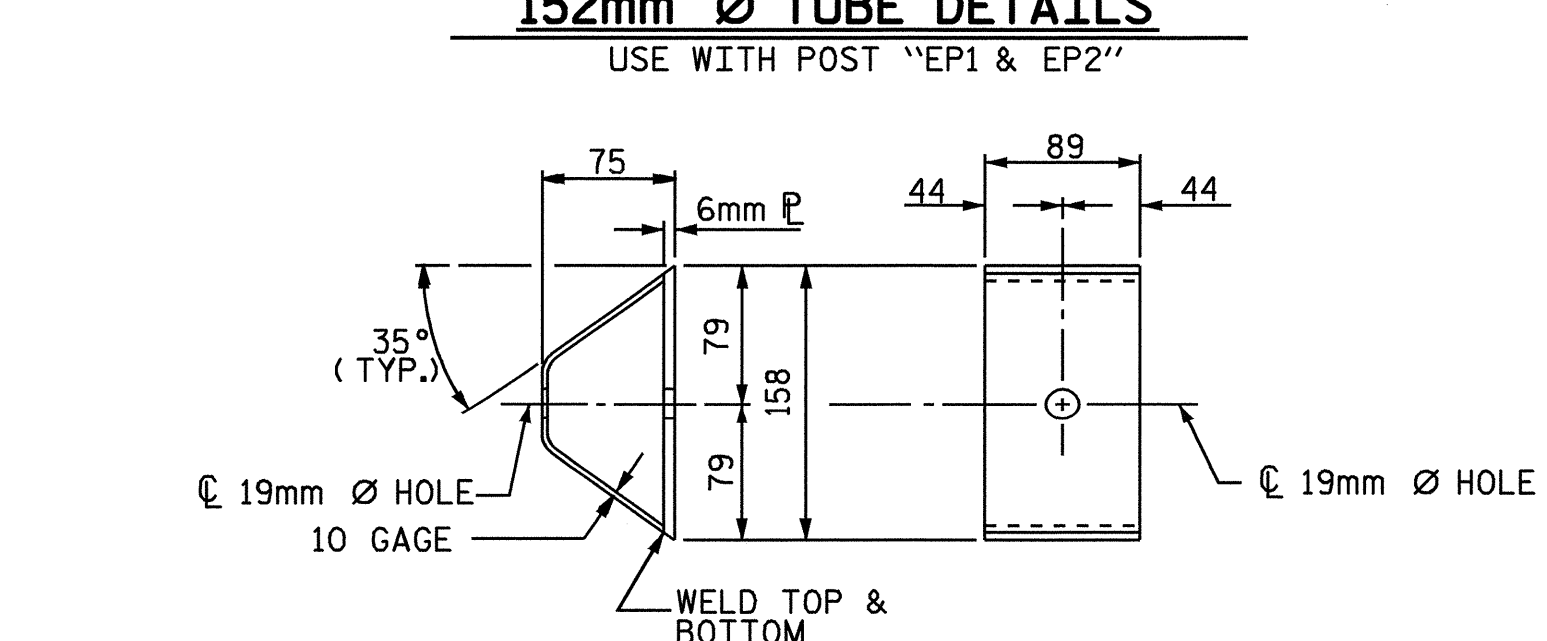
PLAN OF ANGLE



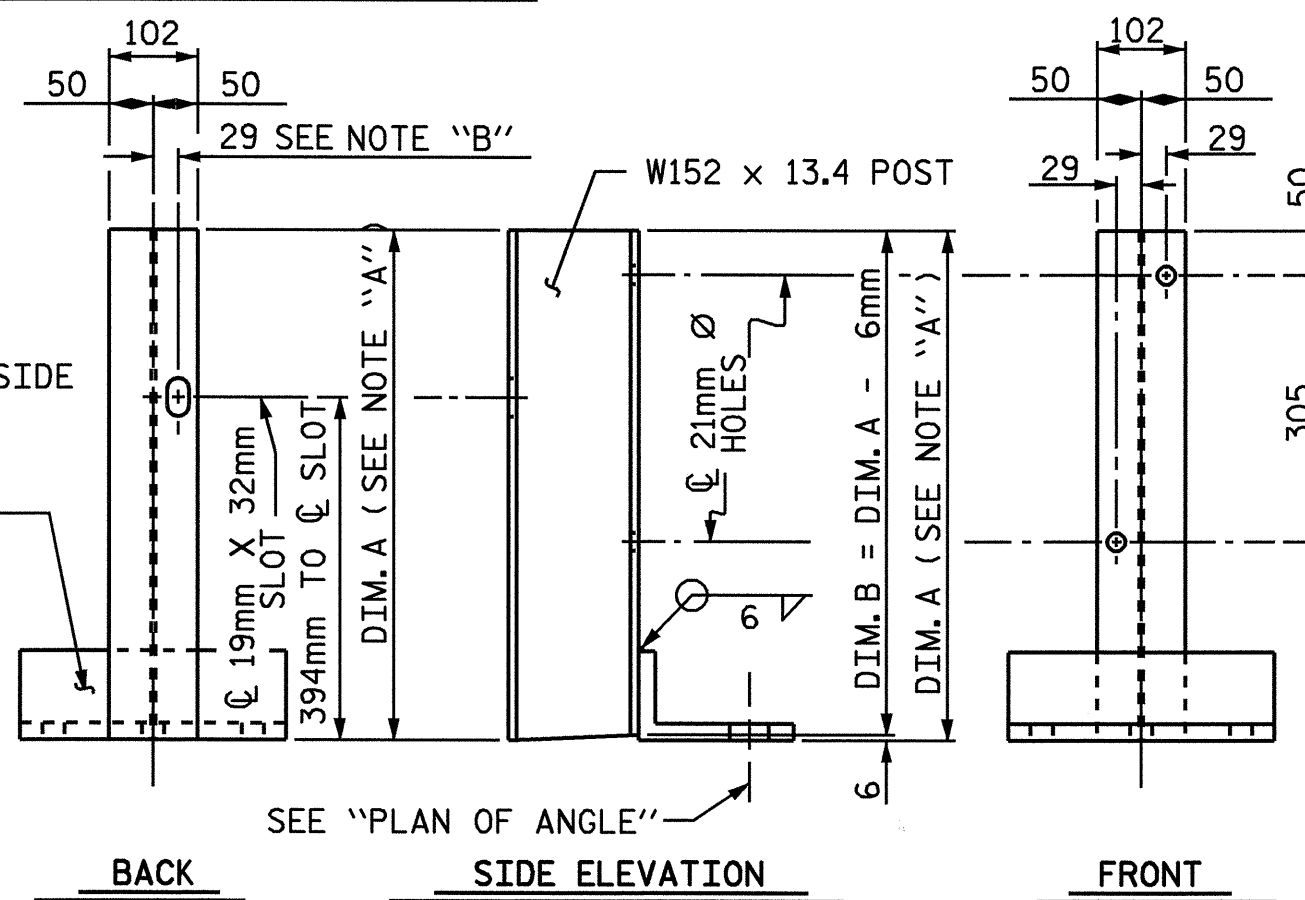
152mm Ø TUBE DETAILS



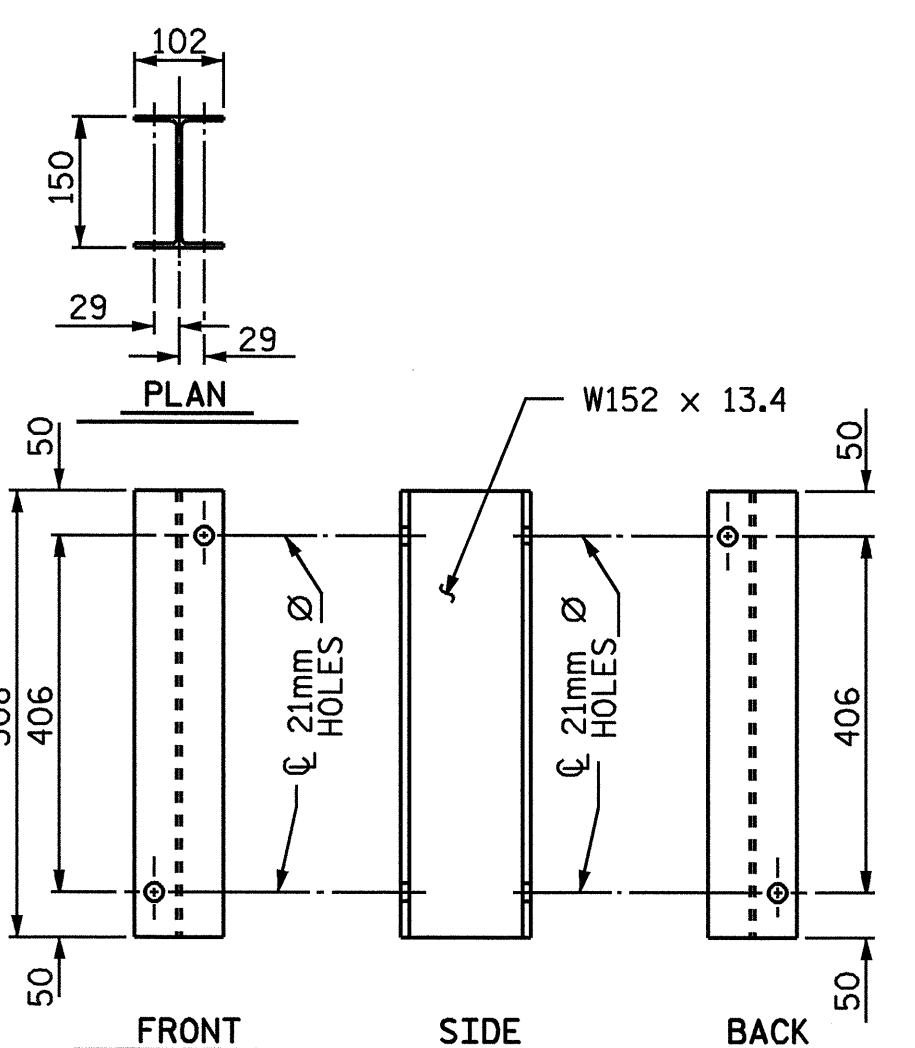
152mm Ø TUBE DETAILS



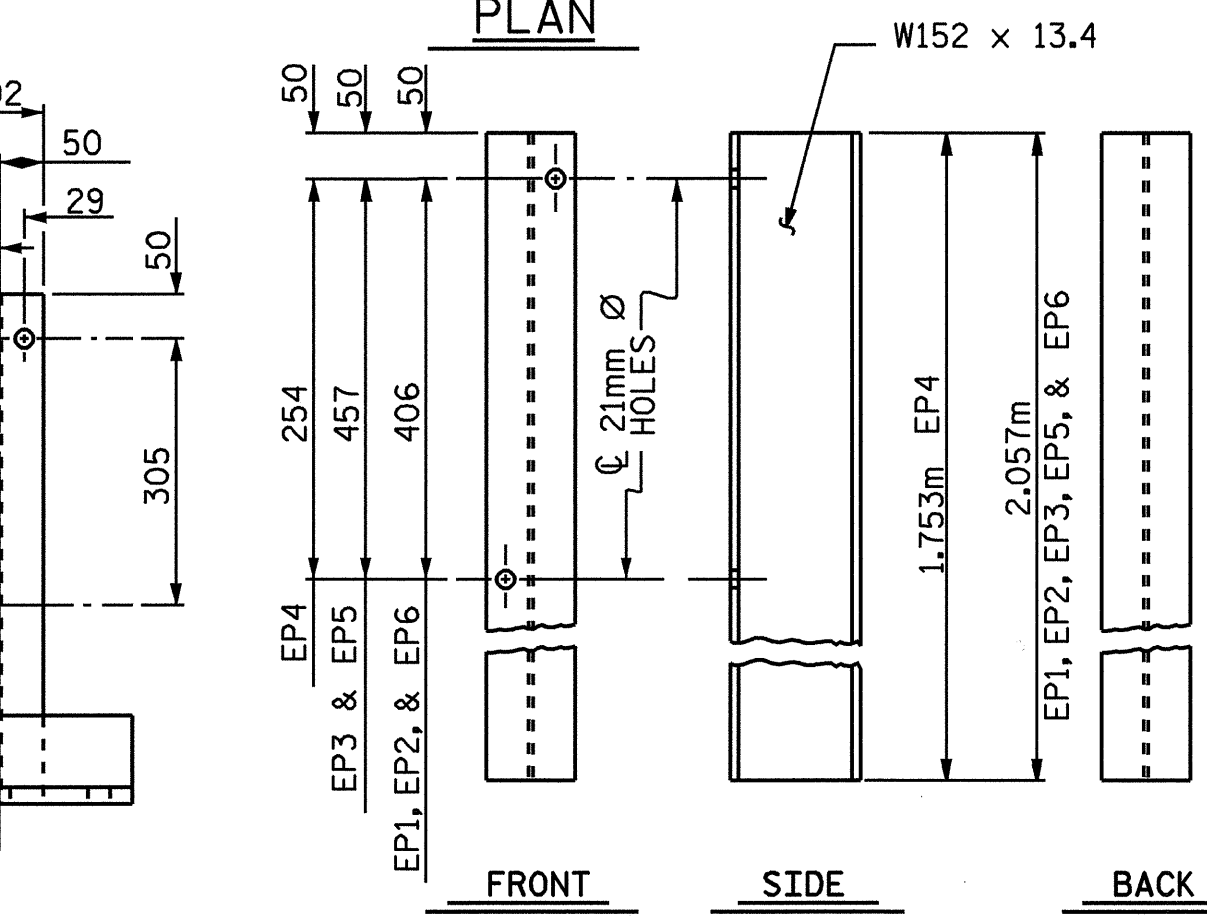
BACKUP CUSHION BRACKET



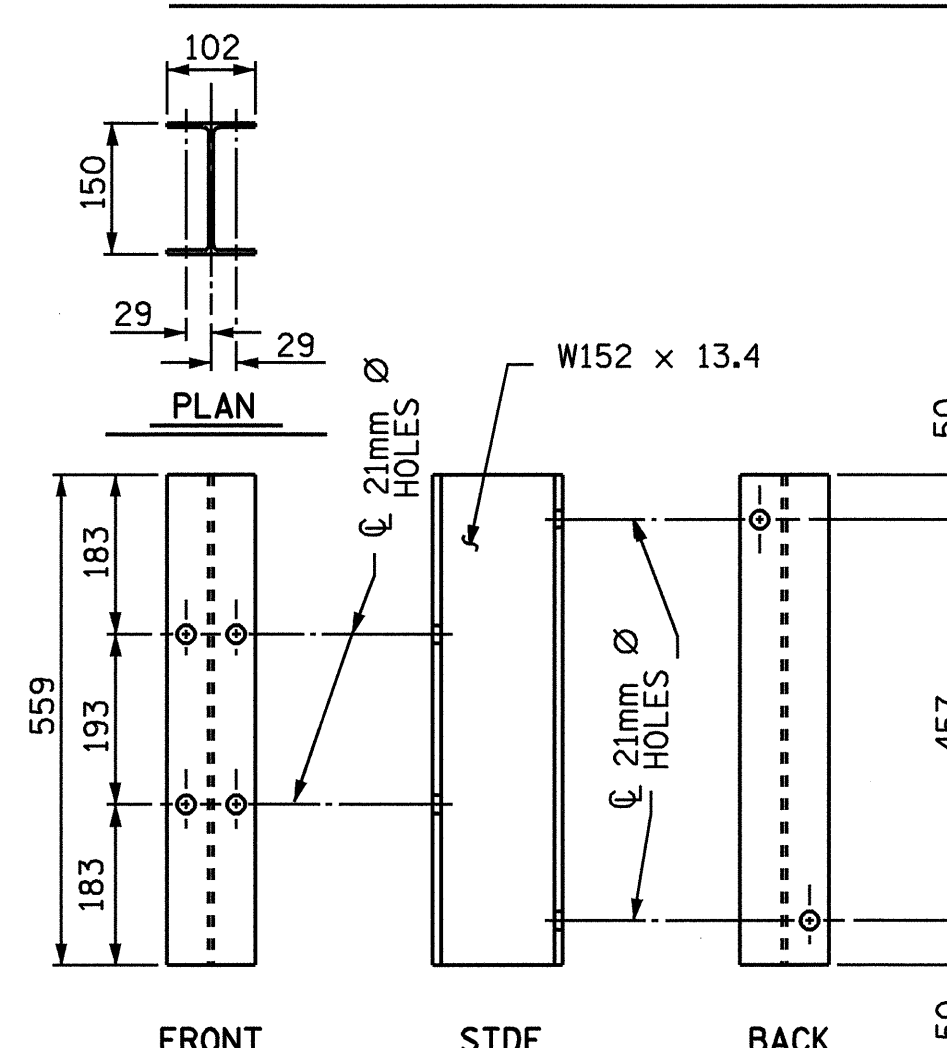
BP1 POST DETAILS



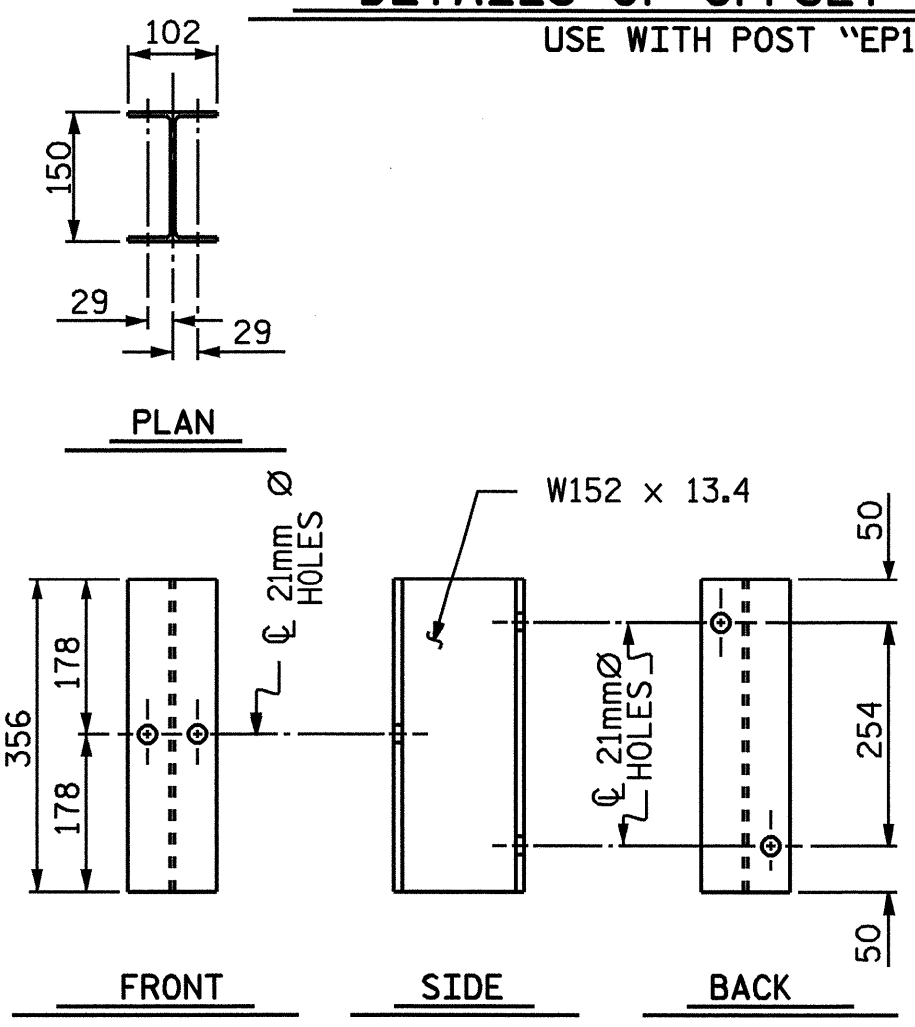
DETAILS OF OFFSET BLOCK 1



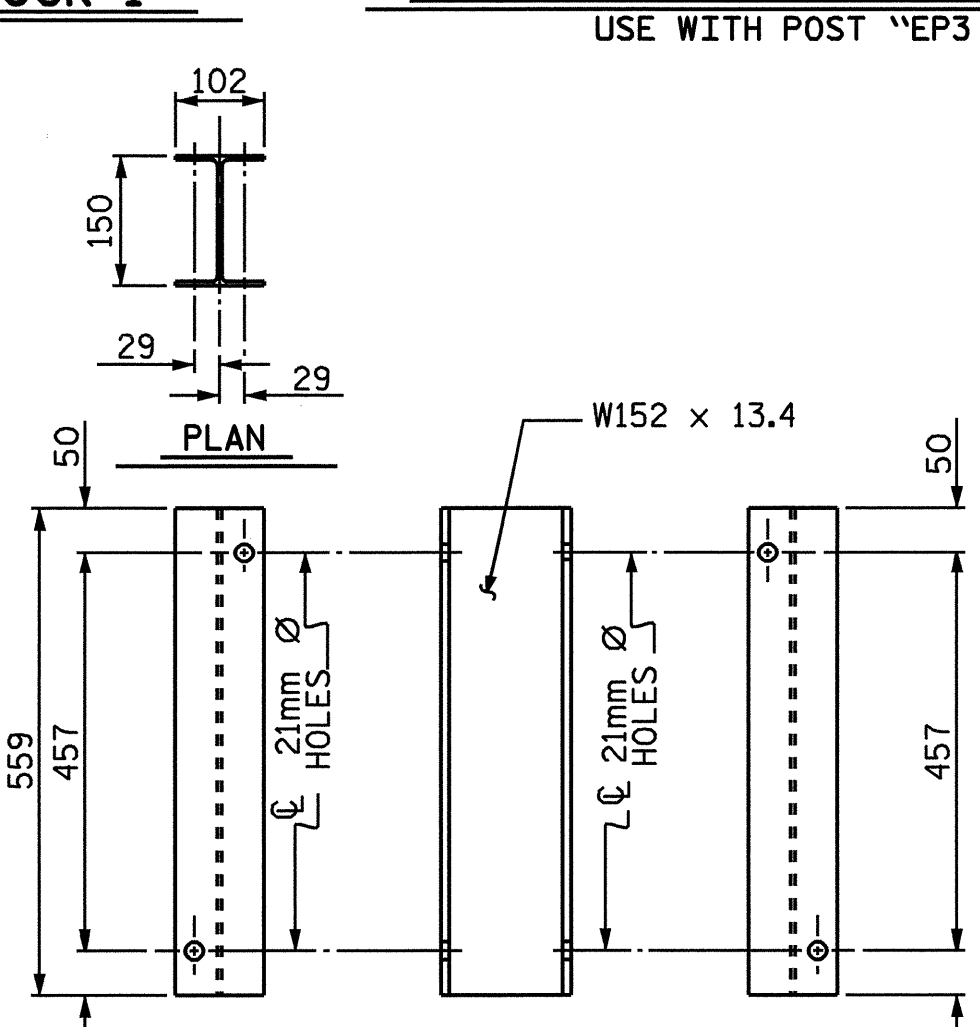
DETAIL OF POST



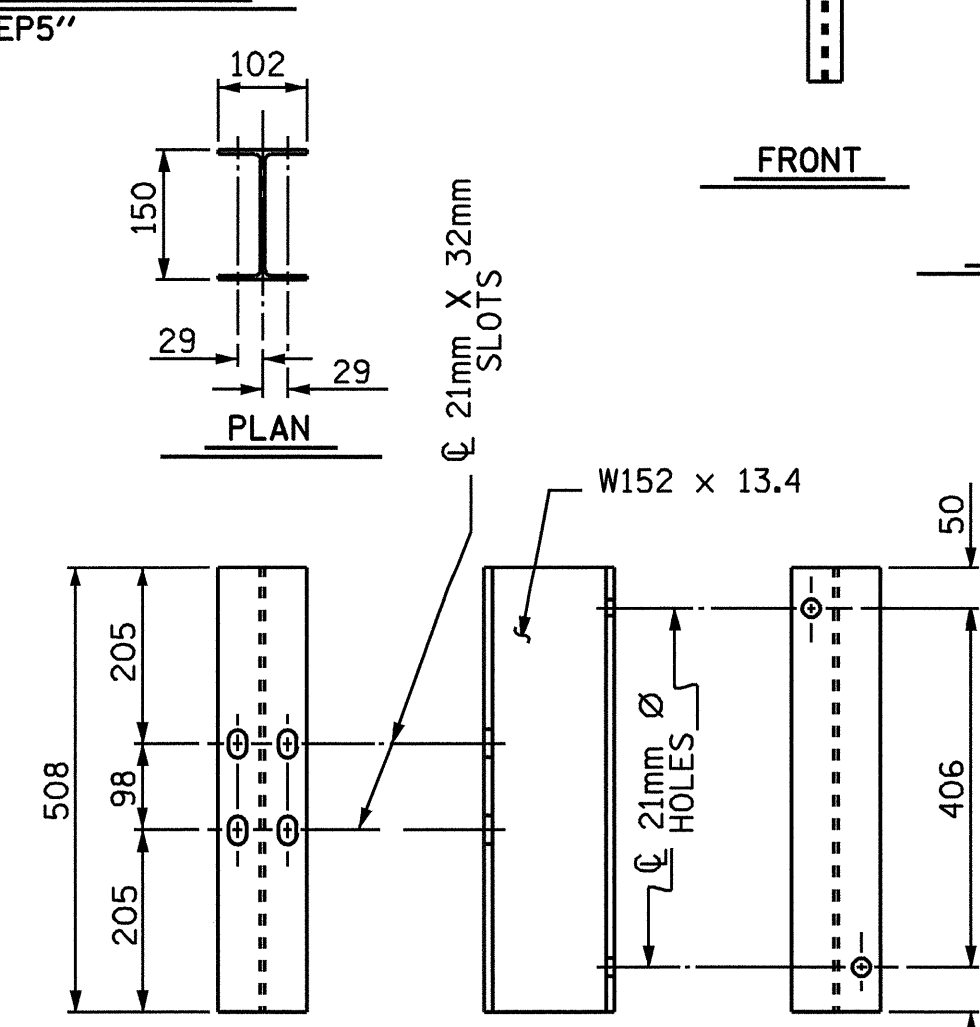
DETAILS OF OFFSET BLOCK 3



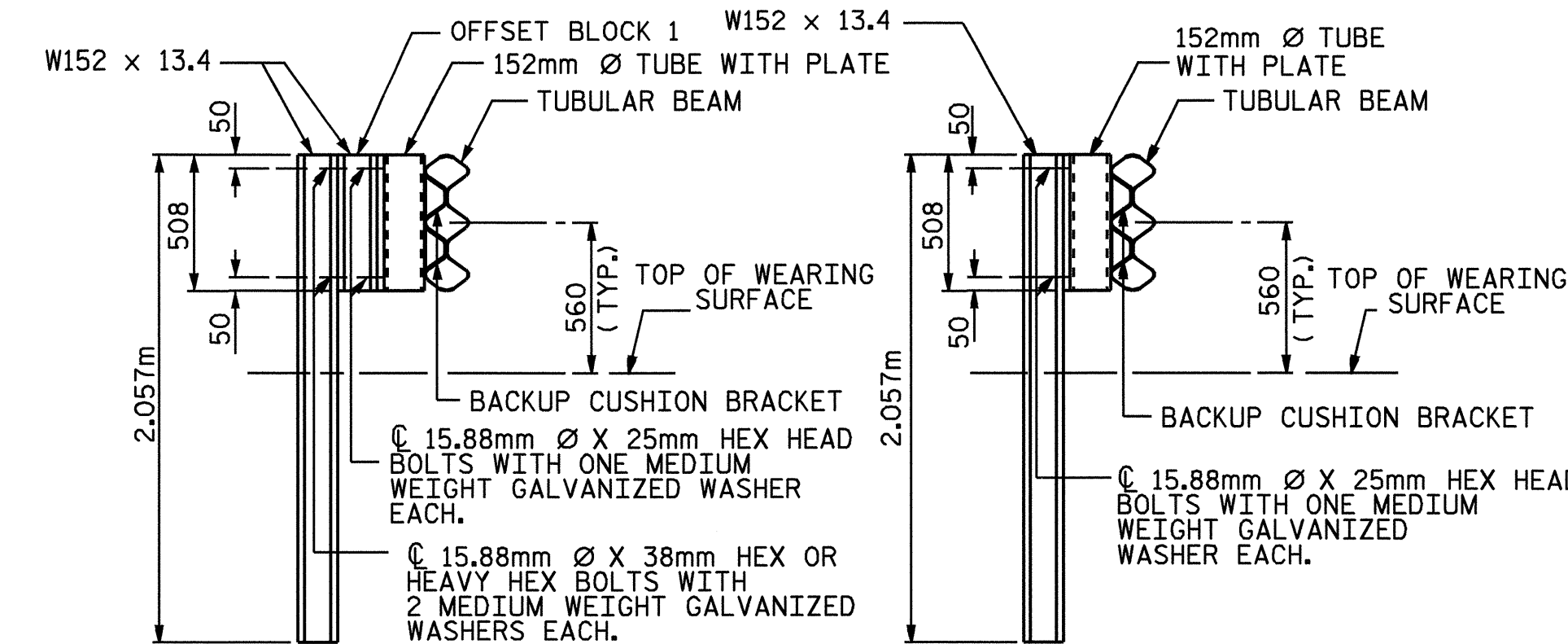
DETAILS OF OFFSET BLOCK 4



DETAILS OF OFFSET BLOCK 5

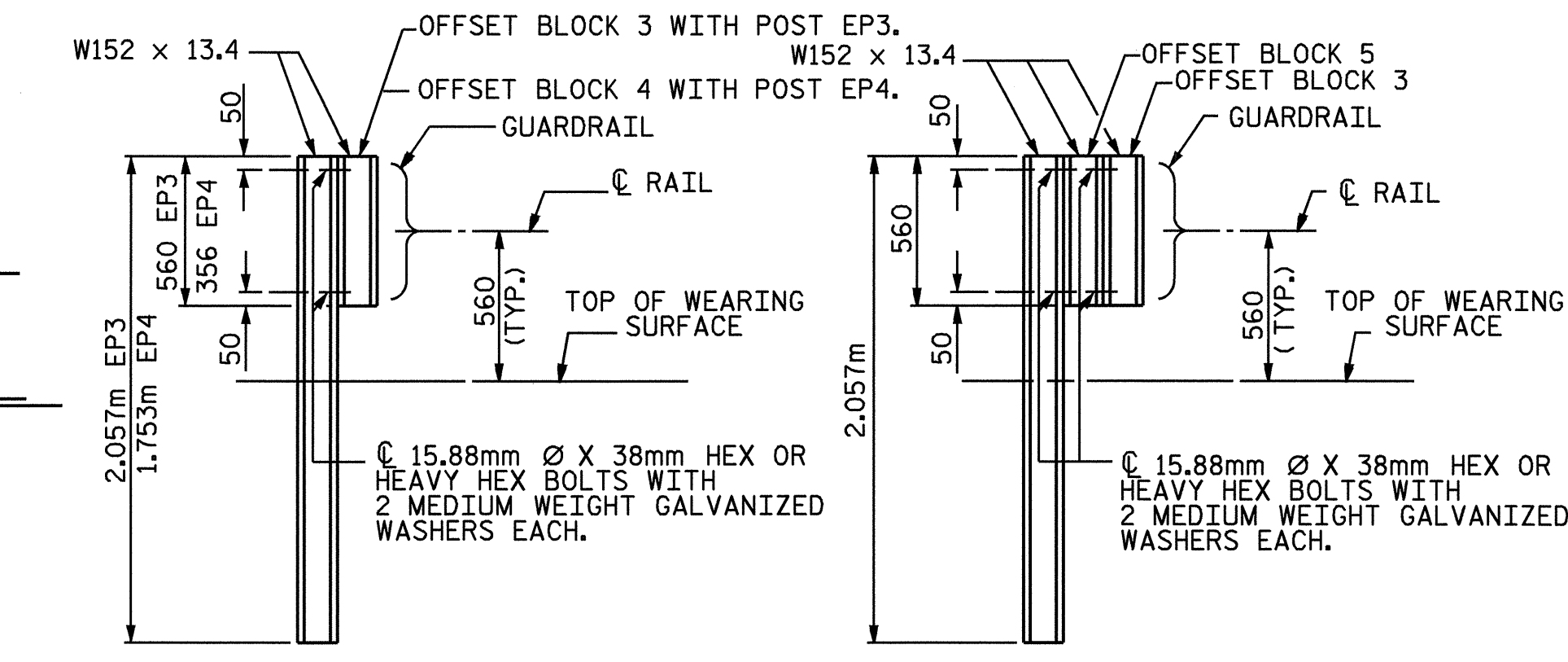


DETAILS OF OFFSET BLOCK 6



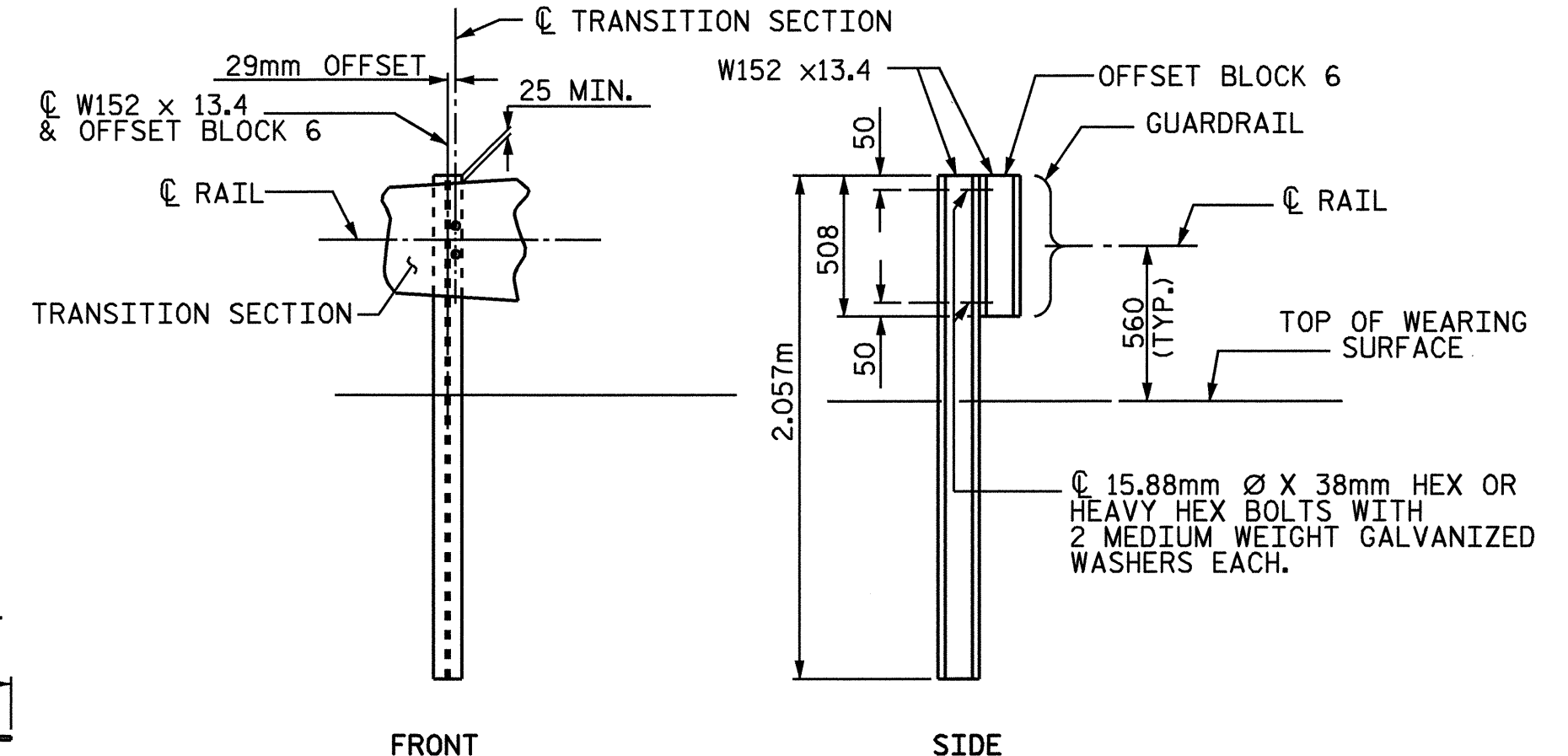
POST "EP1"

POST "EP2"



POST "EP3" & "EP4"

POST "EP5"



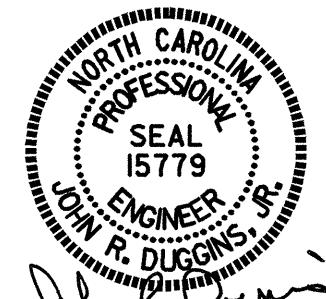
POST "EP6"

PROJECT NO. R-2610A
CHATHAM COUNTY

STATION: _____

SHEET 4 OF 6

STATE OF NORTH CAROLINA
DEPARTMENT OF TRANSPORTATION
RALEIGH
DETAILS FOR RETROFIT OF EXISTING BRIDGE RAIL WITH TUBULAR BEAM GUARDRAIL



ASSEMBLED BY: M.E. POOLE	DATE: 10/03	SPECIAL
CHECKED BY: J.R. DUGGINS	DATE: 10/03	
DRAWN BY: N.M. RUFFIN	DATE: 5/88	STANDARD
CHECKED BY:	DATE:	

REVISIONS						TOTAL SHEETS
NO.	BY:	DATE:	NO.	BY:	DATE:	TOTAL SHEETS
1			3			
2			4			