

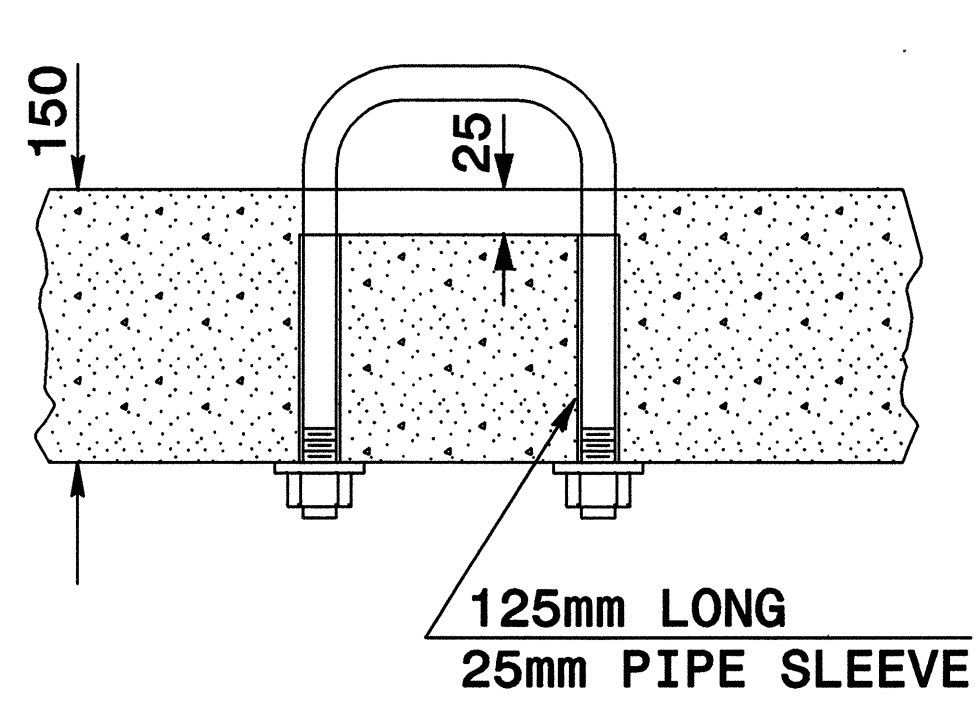


GENERAL NOTES:

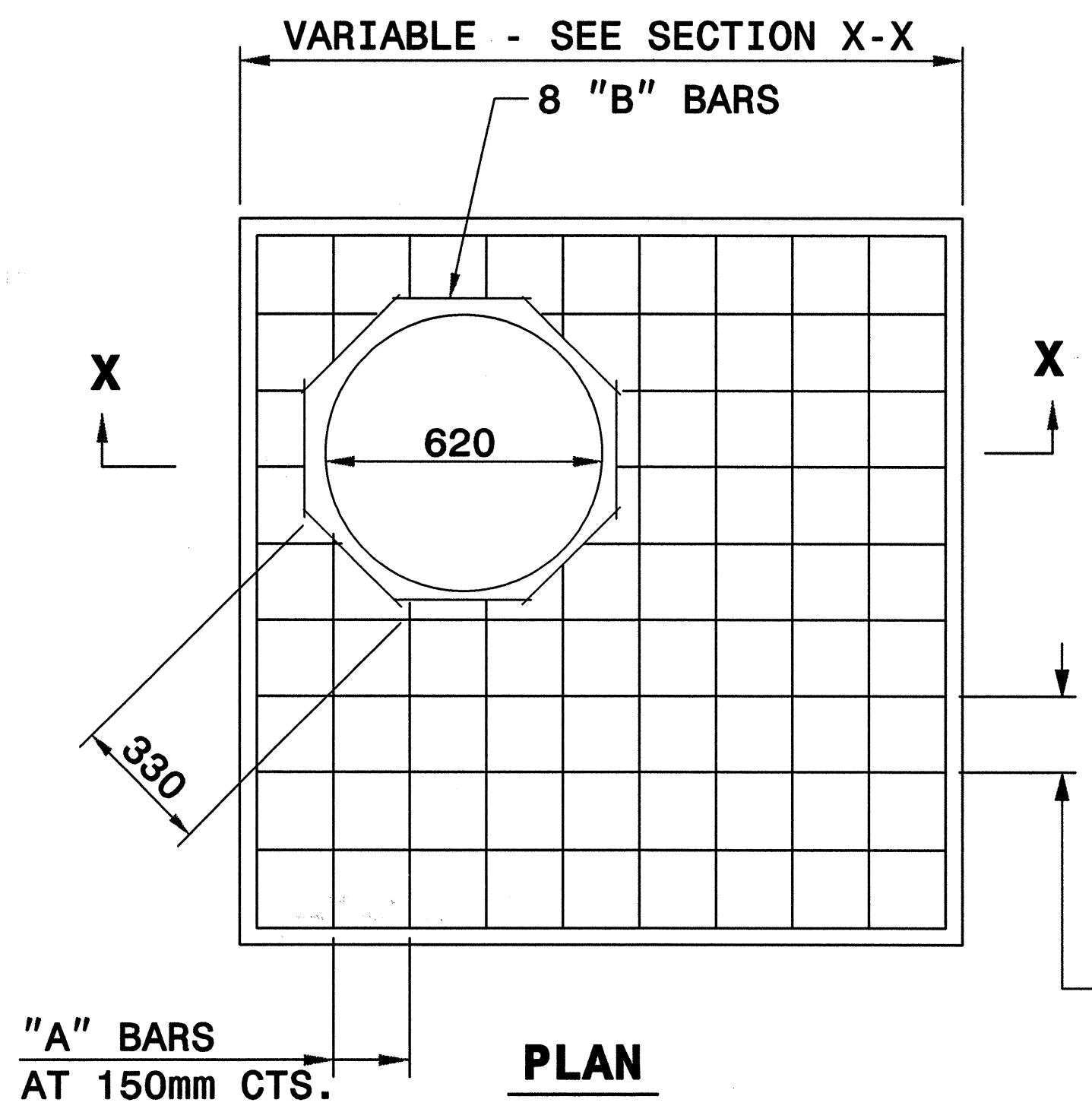
ALL CONSTRUCTION SHALL BE IN ACCORDANCE WITH SECTION 859 OF THE STANDARD SPECIFICATIONS.

THE DIMENSIONS FOR THE EXISTING BOXES ARE APPROXIMATE AND MAY VARY SLIGHTLY.

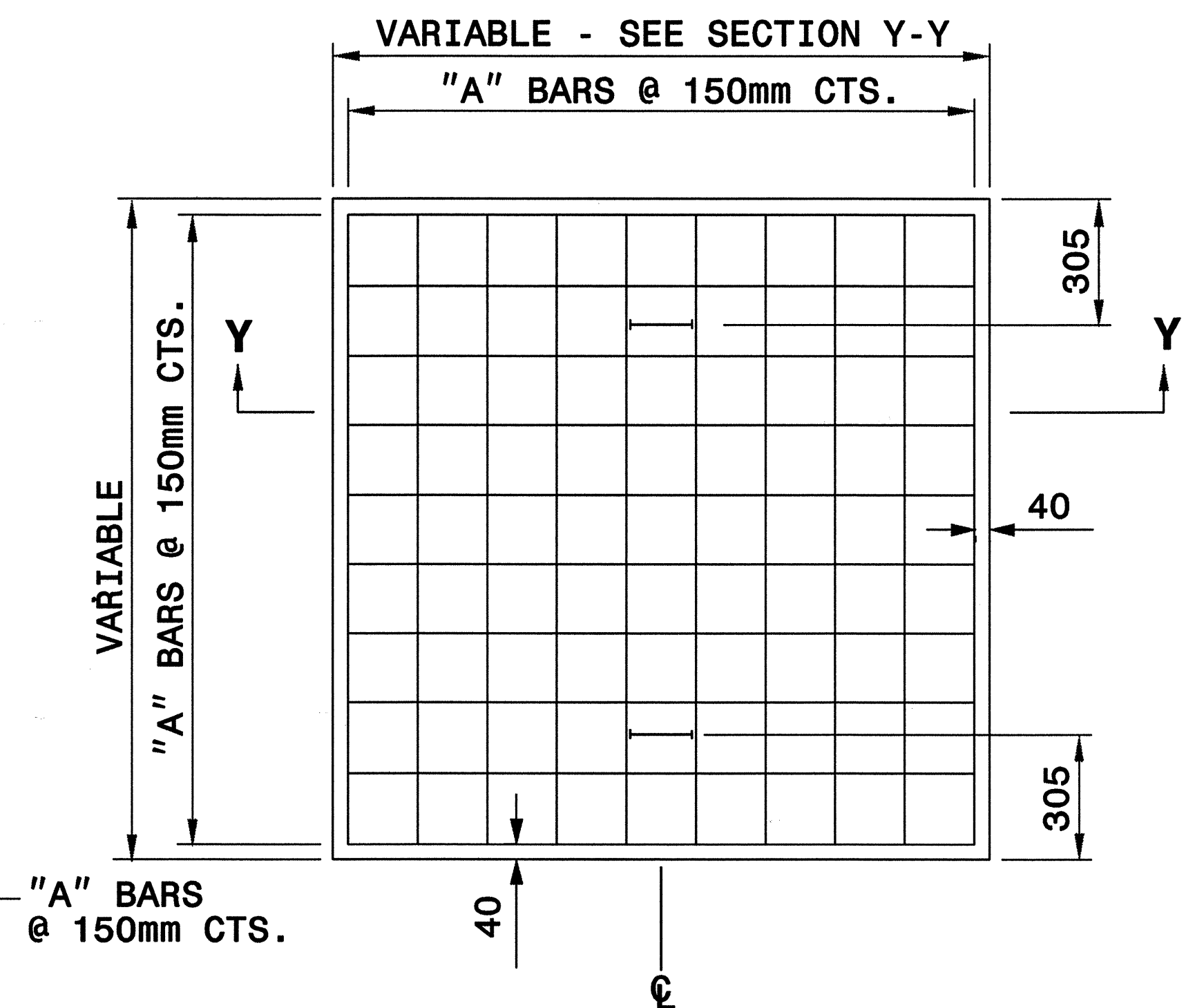
DETAIL INTENDED FOR NON-TRAFFIC BEARING DRAINAGE STRUCTURES.



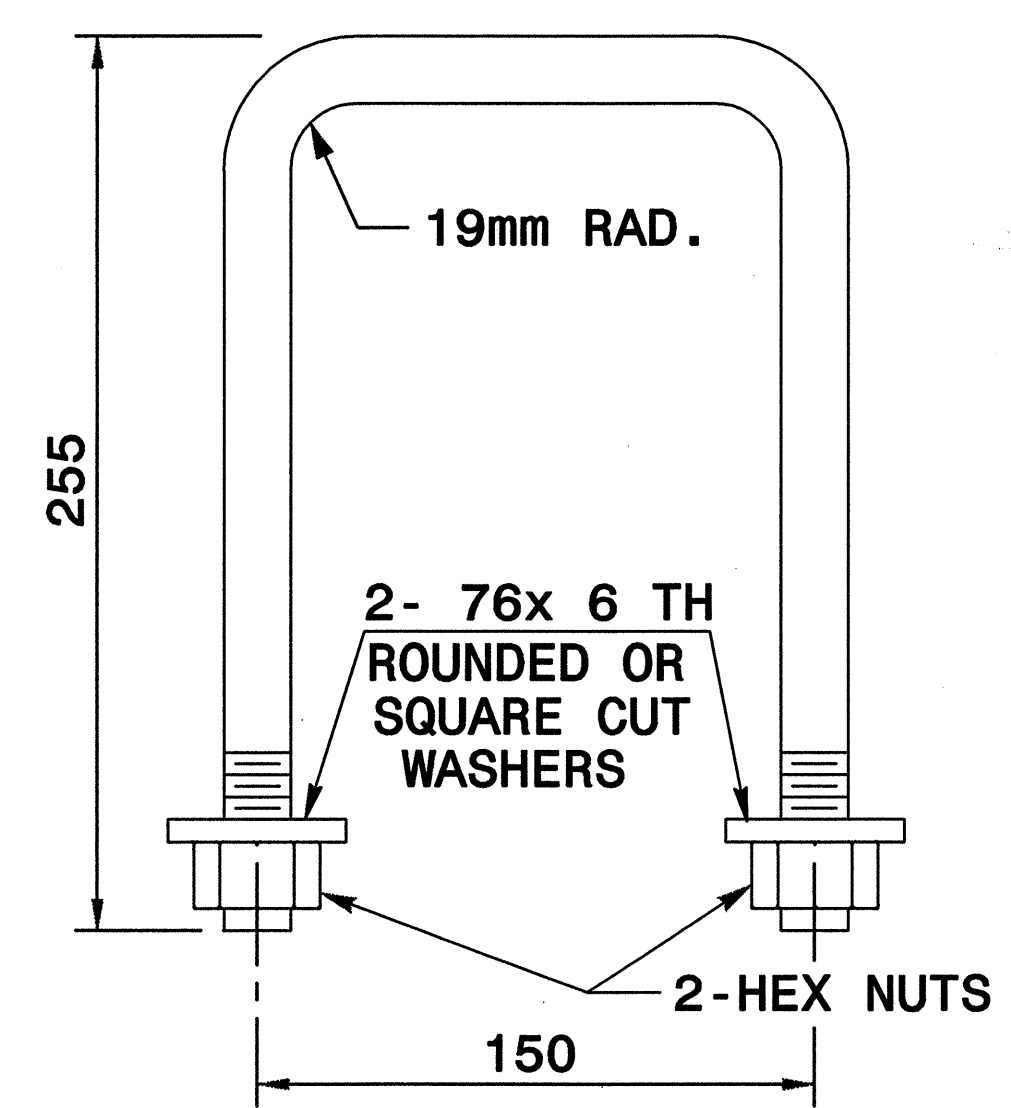
PARTIAL SECTION



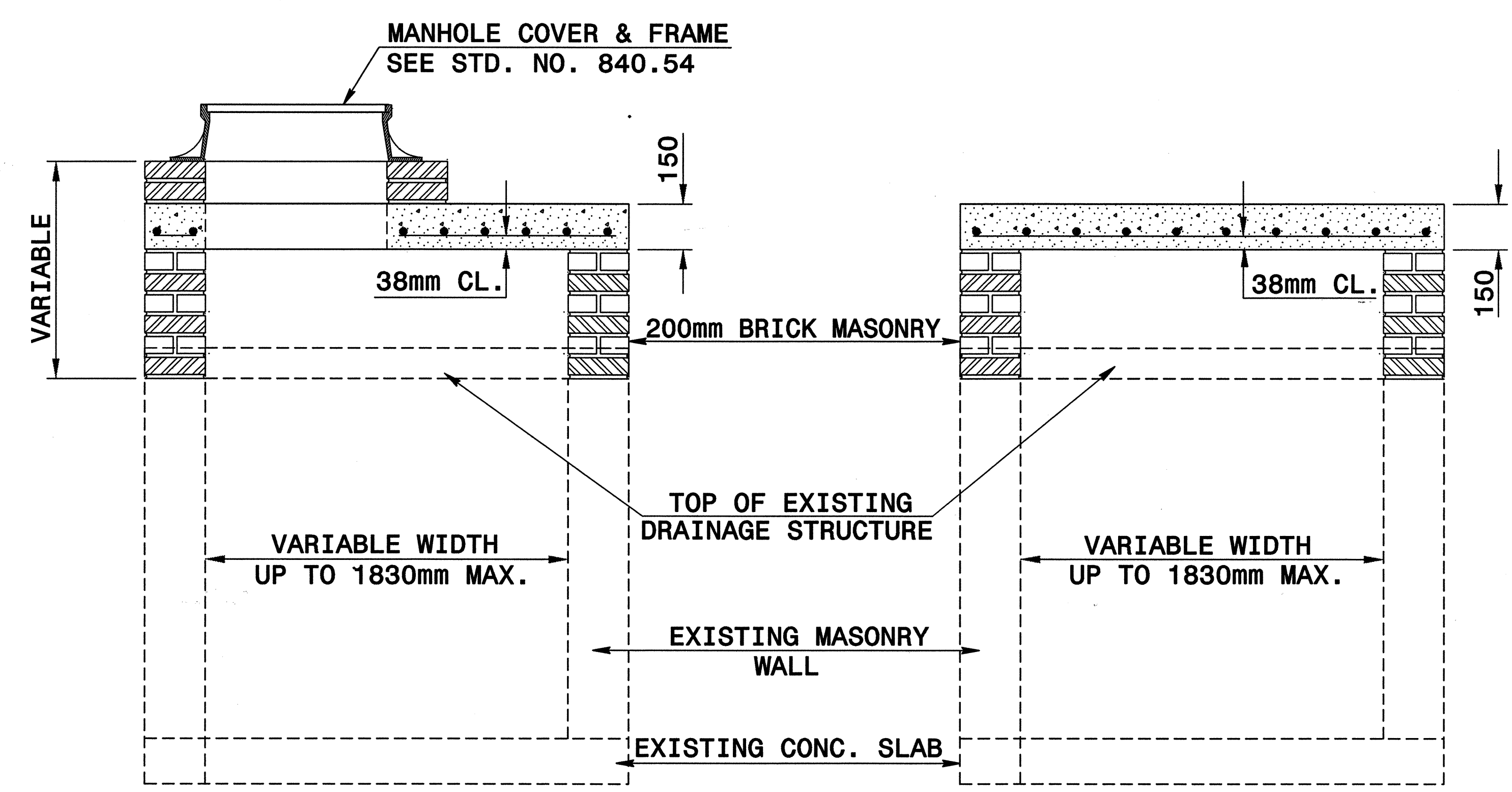
PLAN



PLAN



DETAIL OF HANDLE

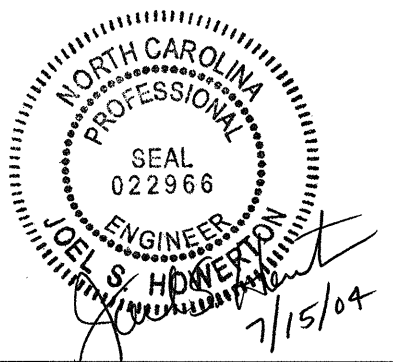


SECTION X-X

SECTION Y-Y

| BILL OF MATERIALS | | | | |
|------------------------------|------|------|--------|-------------------|
| REINFORCING STEEL | | | | |
| CODE | SIZE | QTY. | LENGTH | REINF. STEEL kgs. |
| A | #16 | 20 | 1370 | 45.52 |
| B | #16 | 8 | 330 | 4.10 |
| TOTAL | | | | 49.62 * |
| MASONRY | | | | m ³ |
| TOP SLAB CONCRETE CLASS "B" | | | | .3305 * |
| BRICK MASONRY PER m HT (MIN) | | | | 1.7651 |

*** NOTE:**
 QUANTITIES BASED ON 1070mm X 1070mm DRAINAGE STRUCTURE. QUANTITIES TO BE ADJUSTED FOR LARGER STRUCTURES AND MANHOLE CONSTRUCTION.



**DESIGN SERVICES UNIT
 STANDARDS AND SPECIAL DESIGN**
 Office 919-250-4128 FAX 919-250-4119

**DETAIL TO CONVERT
 EXISTING CATCH BASIN
 TO JUNCTION BOX
 (MANHOLE OPTIONAL)**

ORIGINAL BY: _____ DATE: _____
 MODIFIED BY: _____ DATE: _____
 CHECKED BY: *Joel S. Howard* DATE: 2/99
 FILE SPEC.: DSB:/usr/details/metric/stand/boxtojb.dgn