

METRIC

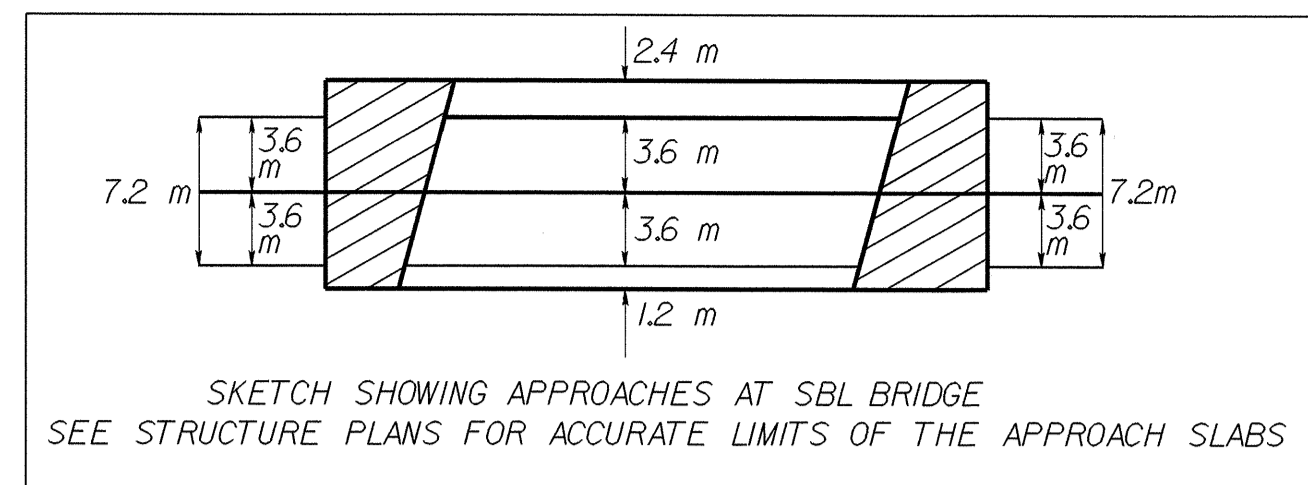
5 0 10

CONST. REV.

R/W REV.

PROJECT REFERENCE NO. R-2610 A	SHEET NO. 6
R/W SHEET NO.	
ROADWAY DESIGN ENGINEER 1.1.04	HYDRAULICS ENGINEER

SEE SHEET 28 FOR -L- PROFILE
SEE SHEET 39 FOR -Y2- PROFILE



-L-
PI Sta 17+50.705
 $\Delta = 47^\circ 41' 56.6''$ (RT)
L = 831.257
T = 441.422
R = 998.500
SE = 0.048
Runoff = 42m

-BL-
PI Sta 16+71.684
D = 47° 41' 56.6" (RT)
L = 839.671
T = 445.891
R = 1,008.607

*NOTE:
HISTORIC SITE
GRAVES DATING BACK
TO THE 1700S

ORON D. PALMER, HEIRS
DB 475 PG 517
DB 328 PG 460

-Y2- POT Sta. 10+89.245 =
-L- POC Sta. 18+04.666

END FENCE
END C/A
-L- +96.816
43.978m
(144.28 ft)

MARGARET JORDAN ELLIS AND
RALPH B. JORDAN, JR. HEIRS
DB 367 PG 510

BEGIN BRIDGE
-L- Sta 17+86.043
7.0 m LT

-L- +24.774
32.435m
(106.41 ft)

BEG FENCE -L- +24.133
BEG C/A EXIST R/R R/W

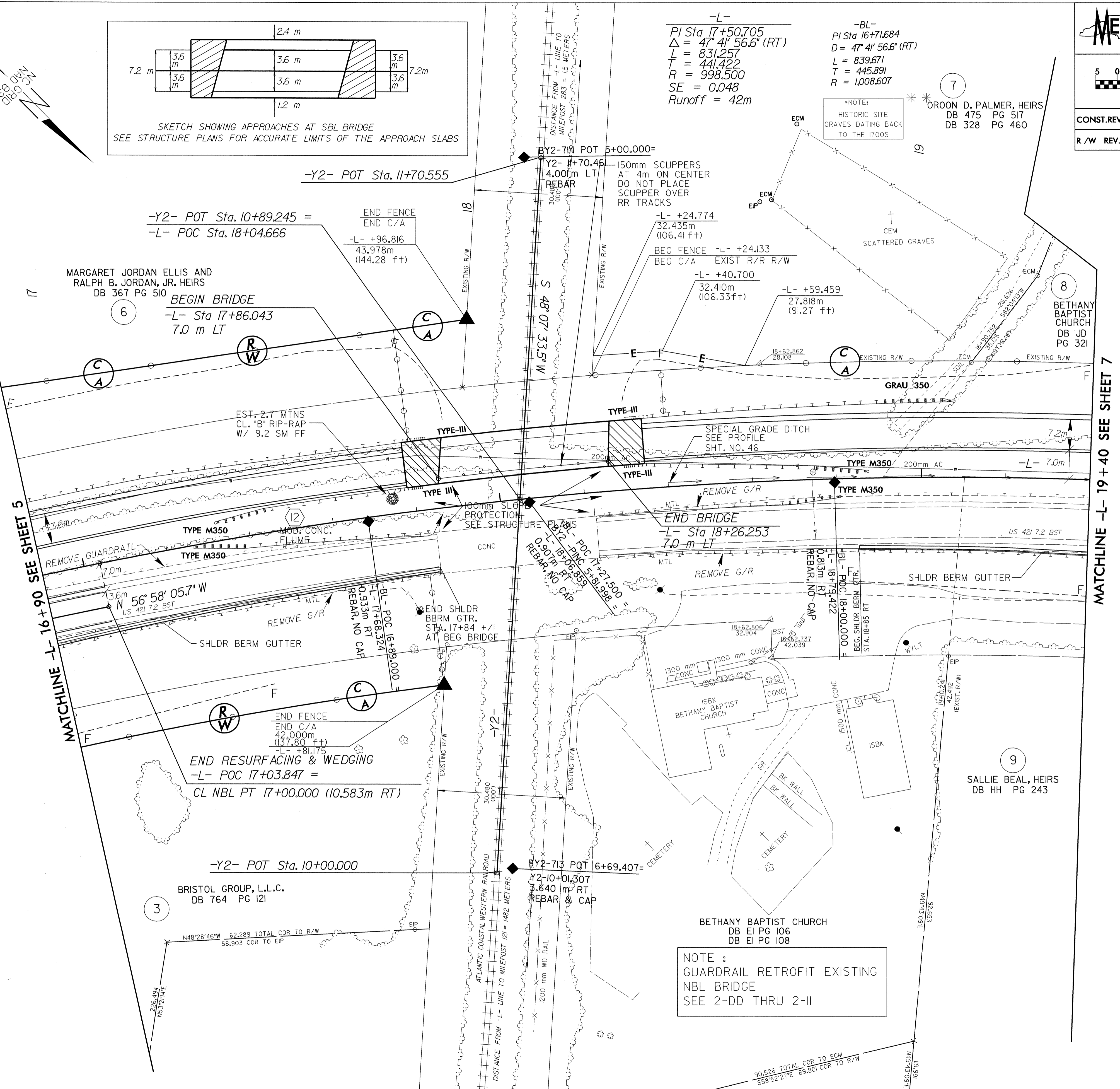
-L- +40.700
32.410m
(106.33 ft)

-L- +59.459
27.818m
(91.27 ft)

BETHANY
BAPTIST
CHURCH
DB JD
PG 321

MATCHLINE -L- 16+90 SEE SHEET 5

MATCHLINE -L- 19+40 SEE SHEET 7



NOTE:
GUARDRAIL RETROFIT EXISTING
NBL BRIDGE
SEE 2-DD THRU 2-II

REVISIONS

04-JUL-2004 11:09 AM
RD187117
RSHillinglaw